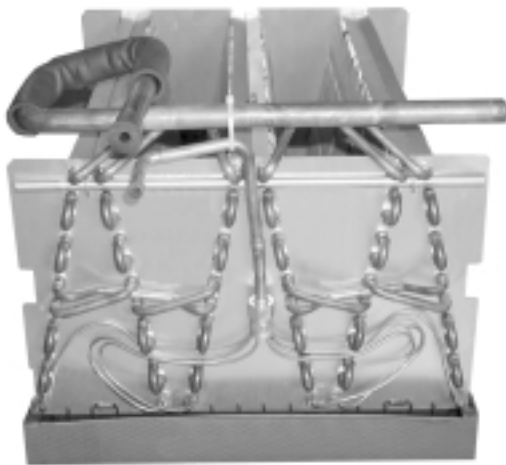


INDOOR COILS



RCBA-/RCHJ-/RCHL- MULTIFLEX® CASED OR UNCASED INDOOR COILS

AIRFLOW CAPACITIES 600-2000 CFM [218-944 L/s]



Rheem® Indoor Coils are designed for use with Rheem outdoor units and are available in upflow, downflow and horizontal configurations. All configurations are convertible to any of the other airflow possibilities.

The MultiFlex® coils provide capacities ranging from 18,000 to 60,000 BTUH [5.27 to 17.58 kW].

The patented single-row, single-coil pleated concept results in extremely low pressure drops and corresponding easy cleaning.

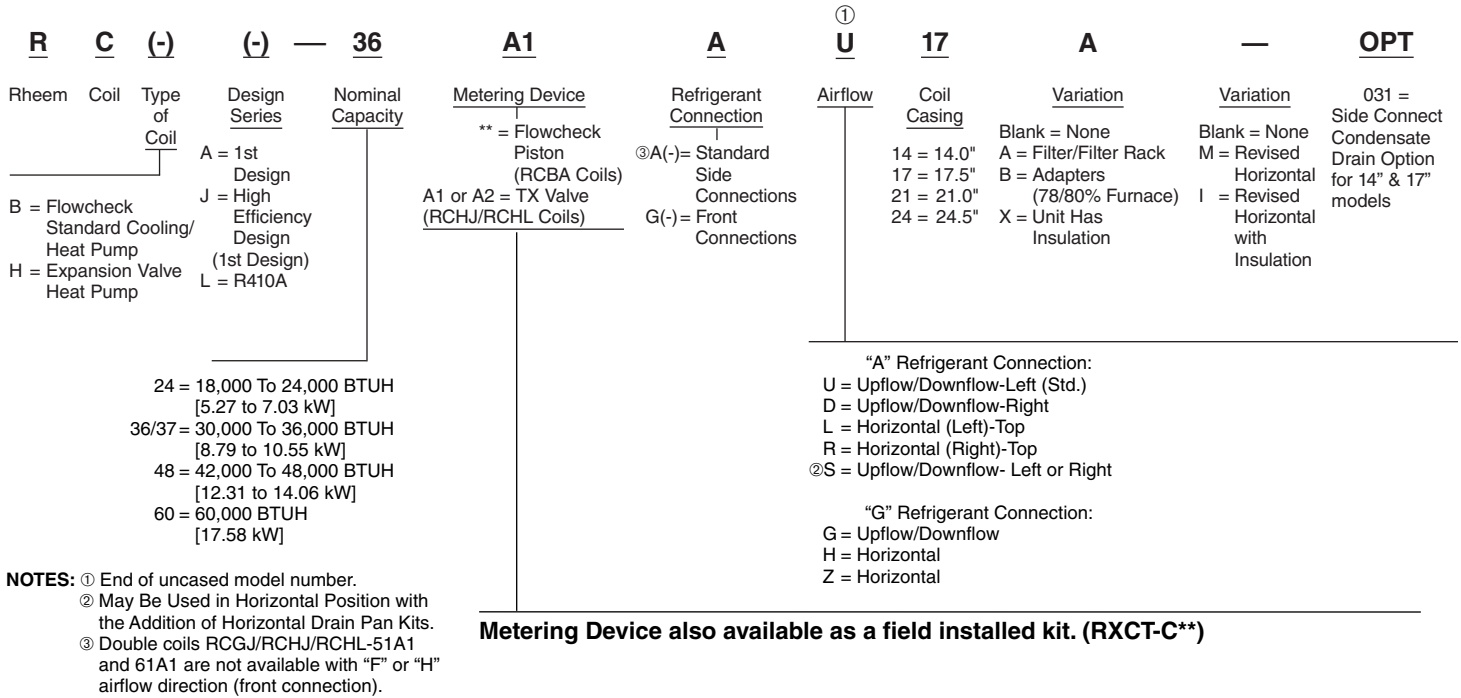
Front refrigerant and drain connection add to ease of installation. Coils can be field modified for left side refrigerant connections and side connections on some models. Double stacked coils are side refrigerant connect only with front condensate.

Engineering Features

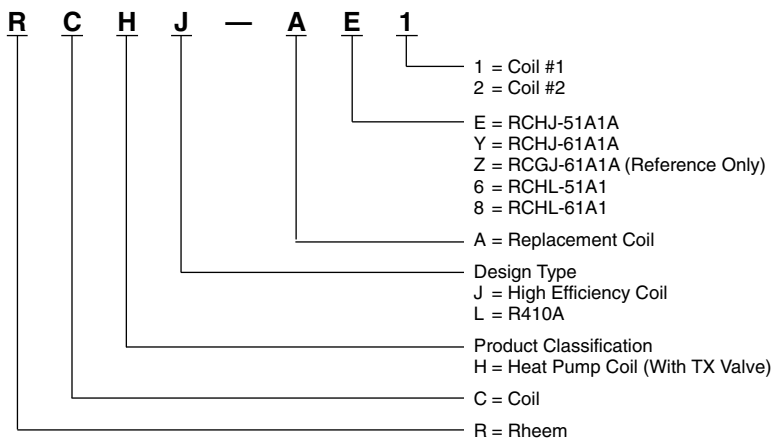
- Constructed of enhanced aluminum fins bonded to inner grooved copper tubing.
- Coils have sweat fitting refrigerant connections.
- Primary condensate drain connections are 3/4" [19 mm] F.N.P.T.
- Coils are A.R.I. certified for system application with a wide variety of Rheem outdoor units.
- Condensate drain pan is constructed of a high grade, heat resistant, corrosion free polymer material.
- Double-wall construction offers sturdiness along with dead air space insulation and sound attenuation.
- Internally checked TX valves are used on high efficiency heat pump coils for quieter refrigerant metering.



MODEL NUMBER IDENTIFICATION



DOUBLE STACKED COILS FOR REPLACEMENT



Current end items are:

RCHJ-AE1 RCHJ-AY1
 RCHJ-AE2 RCHJ-AY2

[] Designates Metric Conversions

RXCT- EXPANSION VALVE CONVERSION KIT FOR RCBA INDOOR COILS

Use an expansion valve kit to convert RCBA- indoor coils to RCGA-/RCGJ-/RCHA- and RCHJ- Coils

R-22 TXV KIT APPLICATION GUIDELINE		
TXV KIT #: RXCT-	PLUS BASE COIL	MAKES REPLACEMENT COIL FOR THESE MODELS
CHA	RCBA-24	RCGA-24A1
		RCGA-24A2
		RCHA-24A1
		RCHA-24A2
	RCBA-36/37	RCGJ-24A1
		RCGJ-24A2
		RCHJ-24A1
		RCHJ-24A2
CHC	RCBA-36/37	RCGA-36A1
		RCGA-36A2
		RCHA-36A1
		RCHA-36A2
	RCBA-48	RCGJ-36A1
		RCGJ-36A2
		RCHJ-36A1
		RCHJ-36A2
CHF	(2) RCBA-60	RCHJ-51A1A
CHG	(2) RCBA-60	RCGJ-61A1A
		RCHJ-61A1A
CHJ	RCBA-60	RCGA-60A1
		RCGJ-60A1
		RCGJ-60A2
		RCHA-60A1
		RCHJ-60A1
CHL	RCBA-48	RCGA-48A1
		RCHA-48A1
	RCBA-60	RCGJ-48A1
		RCHJ-48A1
		RCHJ-48A2
R-410A TXV KIT APPLICATION GUIDELINE		
TXV KIT #: RXCT-	PLUS BASE COIL	MAKES REPLACEMENT COIL FOR THESE MODELS
DHA	RCBA-36/37	RCHL-24A2
DHB	RCBA-48	RCHL-36A1
		RCHL-36A2
DHC	RCBA-60	RCHL-48A1
		RCHL-48A2
DHD	RCBA-60	RCHL-60A1

Kits may be used for conversion of side or front connect with the exception of the RXCT-CHF and RXCT-CHG, which is side connect only.

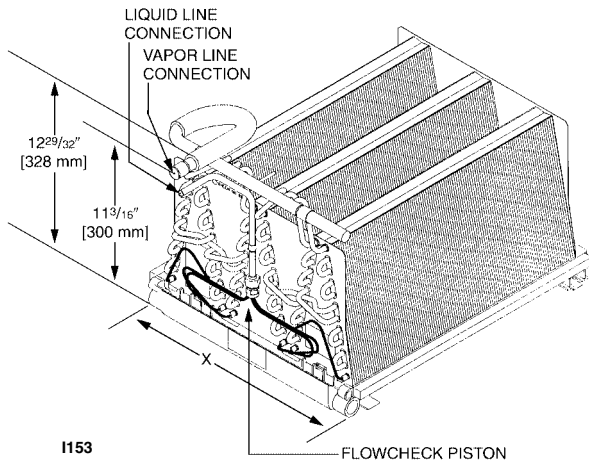
[] Designates Metric Conversions

UNIT DIMENSIONS & WEIGHTS— RCBA-/RCHJ-/RCHL- CASED AND UNCASD COILS

MODEL NUMBER	UNCASD COIL "X" IN. [mm]	STANDARD CASD COIL "W" IN. [mm]	CONNECTION SIZE (IN.) [mm]		UNIT WEIGHT (LBS.) [Kg]					
			SWEAT		UNCASD COIL		STANDARD CASD COIL		CASD COIL WITH HORIZ. DRAIN PAN	
			LIQUID I.D.	SUCTION I.D.						
			WT.	SHIP WT.	WT.	SHIP WT.	WT.	SHIP WT.		
RCBA-24	12 ¹ / ₄ [311]	14 [356]	3/8 [10]	3/4 [19]	15 [6.80]	17 [7.11]	32 [14.51]	34 [15.42]	37 [16.78]	39 [17.69]
RCBA-36/37	15 ³ / ₄ [400]	17 ¹ / ₂ [445]			20 [9.07]	22 [9.98]	39 [17.69]	41 [18.60]	44 [19.96]	47 [21.31]
RCHL-24A1 RCHJ-24A1 RCHJ-24A2	15 ³ / ₄ [400]	17 ¹ / ₂ [445]			21 [9.53]	23 [10.43]	40 [18.14]	42 [19.05]	45 [20.41]	48 [21.77]
RCBA-48	19 ¹ / ₄ [489]	21 [533]			26 [11.79]	29 [13.15]	46 [20.87]	49 [22.22]	52 [23.59]	55 [24.95]
RCHL-36A1 RCHJ-36A1 RCHJ-36A2 RCHL-36A2	19 ¹ / ₄ [489]	21 [533]			27 [12.25]	30 [13.61]	47 [21.32]	50 [22.68]	53 [24.04]	56 [25.40]
RCBA-60	22 ³ / ₄ [578]	24 ¹ / ₂ [622]			32 [14.51]	35 [15.88]	54 [24.49]	57 [25.85]	60 [27.22]	64 [29.03]
RCHL-48A1 RCHJ-48A2 RCHL-48A2 RCHJ-60A1 RCHJ-48A1 RCHL-60A1	22 ³ / ₄ [578]	24 ¹ / ₂ [622]		7/8 [22]	33 [14.97]	36 [16.33]	55 [24.95]	58 [26.31]	61 [27.67]	65 [29.48]
RCHJ-51A1 RCHL-51A1 RCHJ-61A1 RCHL-61A1	N/A	24 ¹ / ₂ [622]			N/A	N/A	110	116	122	130

[] Designates Metric Conversions

UNIT DIMENSIONS & WEIGHTS— RCBA-/RCHJ-/RCHL- CASED AND UNCASED COILS (cont.)

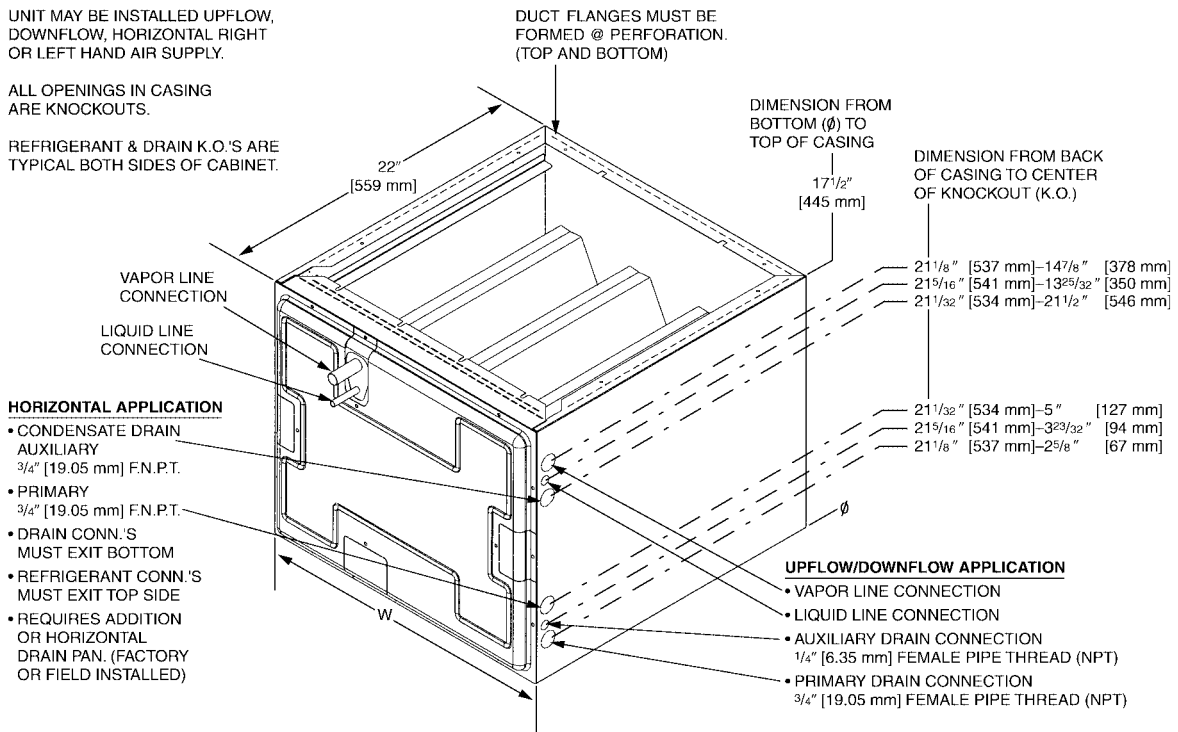


UNIT MAY BE INSTALLED UPFLOW, DOWNFLOW, HORIZONTAL RIGHT OR LEFT HAND AIR SUPPLY.

ALL OPENINGS IN CASING ARE KNOCKOUTS.

REFRIGERANT & DRAIN K.O.'S ARE TYPICAL BOTH SIDES OF CABINET.

DUCT FLANGES MUST BE FORMED @ PERFORATION. (TOP AND BOTTOM)



CAUTION

ALL VERTICAL DRAIN CONNECTIONS HAVE PLASTIC WEB COVERING OPENING WHICH MUST BE KNOCKED OUT BEFORE CONNECTION(S) ARE MADE.

[] Designates Metric Conversions

DOUBLE STACKED COILS

RCHJ-51A1
 RCHL-51A1
 RCHJ-61A1
 RCHL-61A1

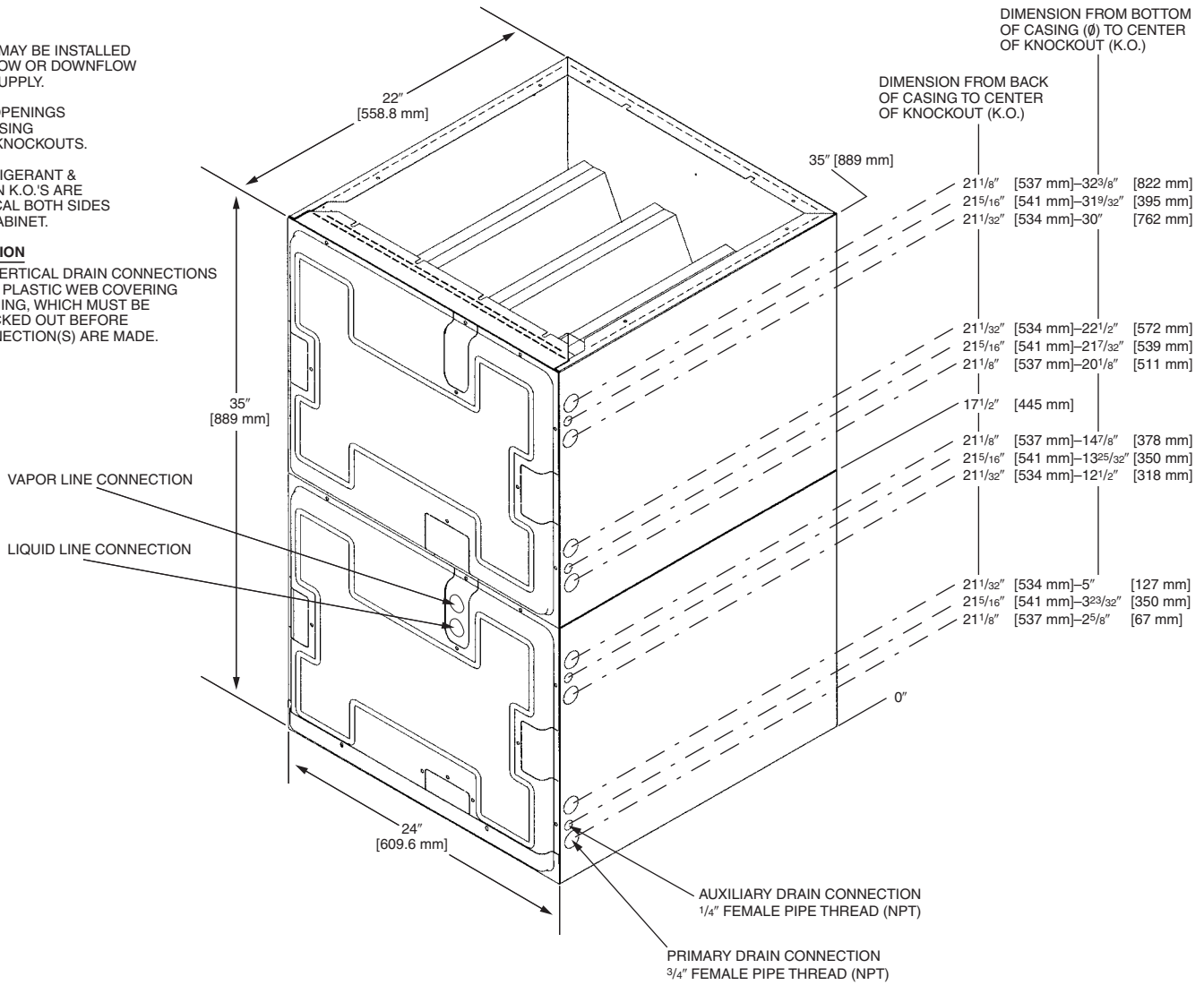
UNIT MAY BE INSTALLED
 UPFLOW OR DOWNFLOW
 AIR SUPPLY.

ALL OPENINGS
 IN CASING
 ARE KNOCKOUTS.

REFRIGERANT &
 DRAIN K.O.'S ARE
 TYPICAL BOTH SIDES
 OF CABINET.

CAUTION

ALL VERTICAL DRAIN CONNECTIONS
 HAVE PLASTIC WEB COVERING
 OPENING, WHICH MUST BE
 KNOCKED OUT BEFORE
 CONNECTION(S) ARE MADE.



RCBA-/RCHJ-/RCHL- SUPPLY & RETURN AIR DIMENSIONS

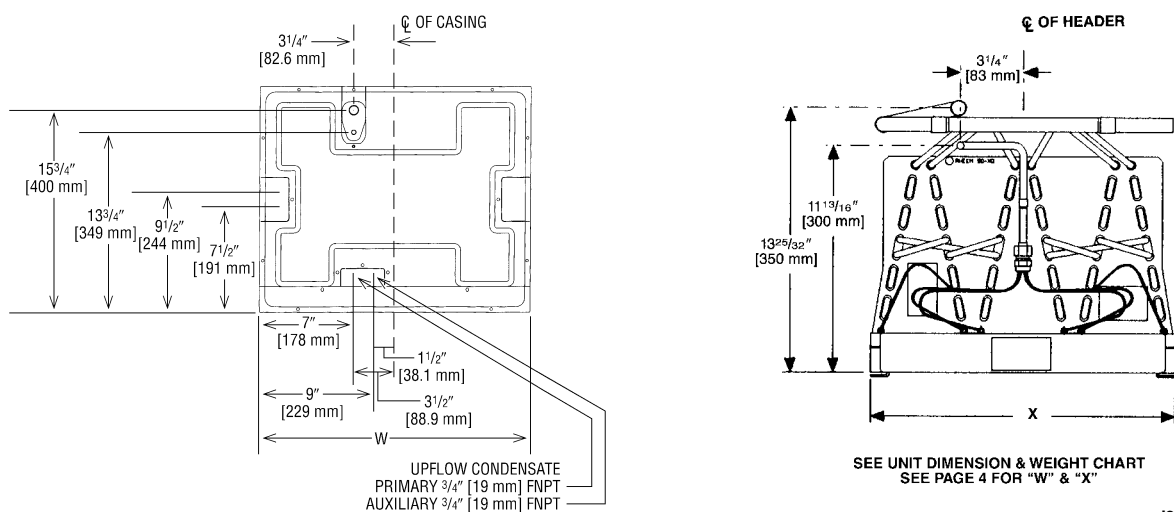
UPFLOW/HORIZONTAL

CABINET WIDTH		14" [356]	17.5" [445]	21" [533]	24.5" [622]
SUPPLY AIR	"W" IN. [mm]	13" [330]	16 1/2" [419]	20" [508]	23 1/2" [597]
	"D" IN. [mm]	19 5/8" [498]	19 5/8" [498]	19 5/8" [498]	19 5/8" [498]
RETURN AIR	"W" IN. [mm]	13" [330]	16 1/2" [419]	20" [508]	23 1/2" [597]
	"D" IN. [mm]	19 7/8" [505]	19 7/8" [505]	19 7/8" [505]	19 7/8" [505]

DOWNFLOW

CABINET WIDTH		14" [356]	17.5" [445]	21" [533]	24.5" [622]
SUPPLY AIR	"W" IN. [mm]	13" [330]	16 1/2" [419]	20" [508]	23 1/2" [597]
	"D" IN. [mm]	19 7/8" [505]	19 7/8" [505]	19 7/8" [505]	19 7/8" [505]
RETURN AIR	"W" IN. [mm]	13" [330]	16 1/2" [419]	20" [508]	23 1/2" [597]
	"D" IN. [mm]	19 5/8" [498]	19 5/8" [498]	19 5/8" [498]	19 5/8" [498]

"G(-)" FRONT CONNECTION FOR RCBA-/RCHJ-/RCHL-



Front Connection
Designated as (G) in model number.

NOTE: Models 14 & 17 have front connections only, unless option 031 is available, which allows side connections. Side connections can also be field-installed to models 21 & 24.

PHYSICAL DATA

COIL MODEL NUMBER	APPROX. DESIGN AIRFLOW RANGE (CFM) [L/s]	FACE AREA (SQ. FT.) [m ²]	FINS/IN.	NUMBER OF SLABS
RCBA-24**	600-800 [283.1-377.6]	5.07 [471]	18	4
RCHJ-/RCHL-24**	600-800 [283.1-377.6]	7.60 [706]		6
RCBA-36/37**	1000-1200 [471.1-566.3]	7.60 [706]		6
RCHJ-/RCHL-36**	1000-1200 [471.1-566.3]	10.13 [941]		8
RCBA-48**	1400-1600 [660.7-755.1]	10.13 [941]		8
RCHJ-/RCHL-48**	1400-1600 [660.7-755.1]	12.67 [1.18]		10
RCBA-60**	2000 [943.9]	12.67 [1.18]		10
RCHJ-/RCHL-51**	1600 [755.1]	12.67 [1.18]		2-10 Slab Coils
RCHJ-/RCHL-61**	1800-2000 [849.5-943.9]	12.67 [1.18]		2-10 Slab Coils

NOTES: **—Indicates piston size on RCBA coils and TX valve on RCHJ-/RCHL- coils.

[] Designates Metric Conversions

CASED COIL APPLICATION

Coil can be matched to heating products as listed in table below.

NO. OF COIL SLABS	COIL PLENUM WIDTH	GAS FURNACE 78/80% UPFLOW, DOWNFLOW & HORIZONTAL MODELS							GAS FURNACE 34" 90 PLUS UPFLOW, DOWNFLOW & HORIZONTAL CONDENSING MODELS						OIL FURNACE 80 PLUS UPFLOW, DOWNFLOW & HORIZONTAL MODELS							
		05E	07E	10A	07G	10B	12	15	04EM	06EM	07EM	07EY	09EZ	10EZ	12ER	056	067	084	095	112	130	150
4	14	A																				
4	17.5		A & B	A & B	A & B				A & B	A & B	A & B											
4	21											A & C	A & C	A & C		A & C	A & C					
6	17.5	E	A	A	A				A	A	A											
6	21					A & B						A & B	A & B	A & B		A	A					
6	24.5						A & C	A & C							A & C			A	A	A		
8	21				E	A						A	A	A		A	A					
8	24.5						A & B	A & B							A & B			A & B	A & B	A & B		
10	24.5					E	A	A							A			A	A	A	D	D
FURNACE WIDTH IN. [mm]		14 [355.6]	17.5 [444.5]		21 [533.4]	24.5 [622.3]		17.5 [444.5]			21 [533.4]			24.5 [622.3]	21 [533.4]		24.5 [622.3]			28 [711.2]		

NOTES: BOLD AREAS INDICATE FLUSH FIT APPLICATIONS

- A—Upflow/Downflow/Horizontal Application. Horizontal application requires factory installed horizontal drain pan or field installed horizontal drain pan accessory RXBD-DB or RXBD-DA for smaller coils in larger coil cases. (One pan fits all).
- B—Upflow/Downflow/Horizontal Application. Requires use of RXBA-AA internal coupler accessory designated by "B" (with adapter) in coil model number.
- C—Upflow/Downflow/Horizontal Application. Requires use of RXBA-AB internal coupler accessory designated by "B" (with adapter) in coil model number.
- D—Requires plenum adapter accessory RXBA-AE (Upflow application only).
- E—Upflow, Upflow/Horizontal and Horizontal "Only" application requires external plenum adapter accessory RXBA-AC. Downflow/Horizontal application requires external plenum adapter accessory RXBA-AD.

[] Designates Metric Conversions

RCBA-/RCHJ-/RCHL—PRESSURE DROP

Cased Coil Size In. [mm]	14 [355.6]		17 ^{1/2} [444.5]		21 [533.4]		24 ^{1/2} [622.3]		
No. of Coil Slabs	4		6		8		10		
Coil Cooling Size	-018, -024		-018 ^① , -024 ^① , -030, -036		-030 ^① , -036 ^① , -042, -048		-042 ^① , -048 ^① , -060		
Coil Position (Airflow)	Up	Down	Up	Down	Up	Down	Up	Down	
Static Pressure Drop Through Wet Cooling Coil In. W.C. [kPa]	AIRFLOW CFM [L/s]								
	.05 [.01]	578 [272.8]	521 [245.9]	752 [354.9]	673 [317.6]	895 [422.4]	764 [360.6]	1005 [474.3]	885 [417.7]
	.10 [.02]	889 [419.6]	827 [390.3]	1113 [525.3]	977 [461.1]	1299 [613.1]	1103 [520.6]	1559 [437.8]	1308 [617.3]
	.15 [.04]	1158 [546.5]	977 [461.1]	1416 [668.3]	1244 [587.1]	1641 [774.5]	1386 [654.1]	1939 [915.1]	1605 [757.5]
	.20 [.05]	1346 [635.2]	1149 [542.3]	1647 [777.3]	1413 [666.9]	1960 [925.0]	1637 [772.6]	2271 [1071.8]	1883 [888.7]
	.25 [.06]	1546 [729.6]	1271 [599.8]	1876 [885.4]	1633 [770.7]	2187 [1032.1]	1826 [861.8]	2552 [1204.4]	2134 [1007.1]
.30 [.07]	1665 [785.8]	1401 [661.2]	2065 [974.6]	1784 [841.0]	2429 [1146.4]	2013 [950.0]	2890 [1363.9]	2365 [1116.2]	

NOTES: * Air pressure drop for horizontal airflow is the same as that shown for upflow.

① RCHJ- coils.

For RCHJ-51 and RCHJ- double the static pressure drop shown for 10 slab coil.

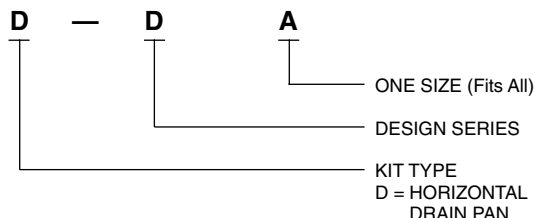
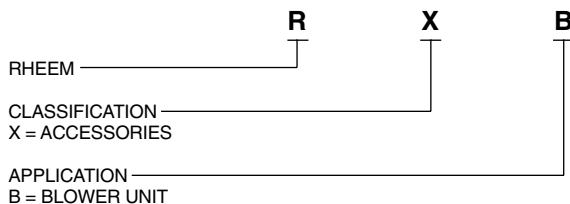
ACCESSORIES

HORIZONTAL DRAIN PAN KIT RXBD-DA

This horizontal drain pan accessory is for installation in cased indoor cooling coils for gas or oil furnaces **ONLY**. This accessory allows an upflow/downflow coil to be converted for horizontal application. The same drain pan fits all RCBA-/RCHJ-/RCHL- coils. (Kit has metal drain pan extension).

HORIZONTAL DRAIN PAN KIT RXBD-CA

This horizontal drain pan accessory is for installation in indoor cooling coils for air handlers **ONLY**. This accessory allows an upflow/downflow coil to be converted for horizontal applications. The same drain pan fits all RCBA-/RCHJ-/RCHL- coils. (Kit has no metal drain pan extension.) (For RCHJ-51A1, RCHL-51A1, RCHJ-61A1 and RCHL-61A1 two pans are required).



[] Designates Metric Conversions

GENERAL TERMS OF LIMITED WARRANTY

Rheem will furnish a replacement for any part of this product which fails in normal use and service within the applicable period stated, in accordance with the terms of the limited warranty.

For Complete Details of the Limited Warranty, Including Applicable Terms and Conditions, See Your Local Installer or Contact the Manufacturer for a Copy.

MultiFlex Coil leaks caused by

factory defectsFive (5) Years
*Any PartFive (5) Years

***This five year limited warranty is applicable only to single-phase products installed in residential applications on or after January 1, 2001.**

ACCESSORIES (continued)

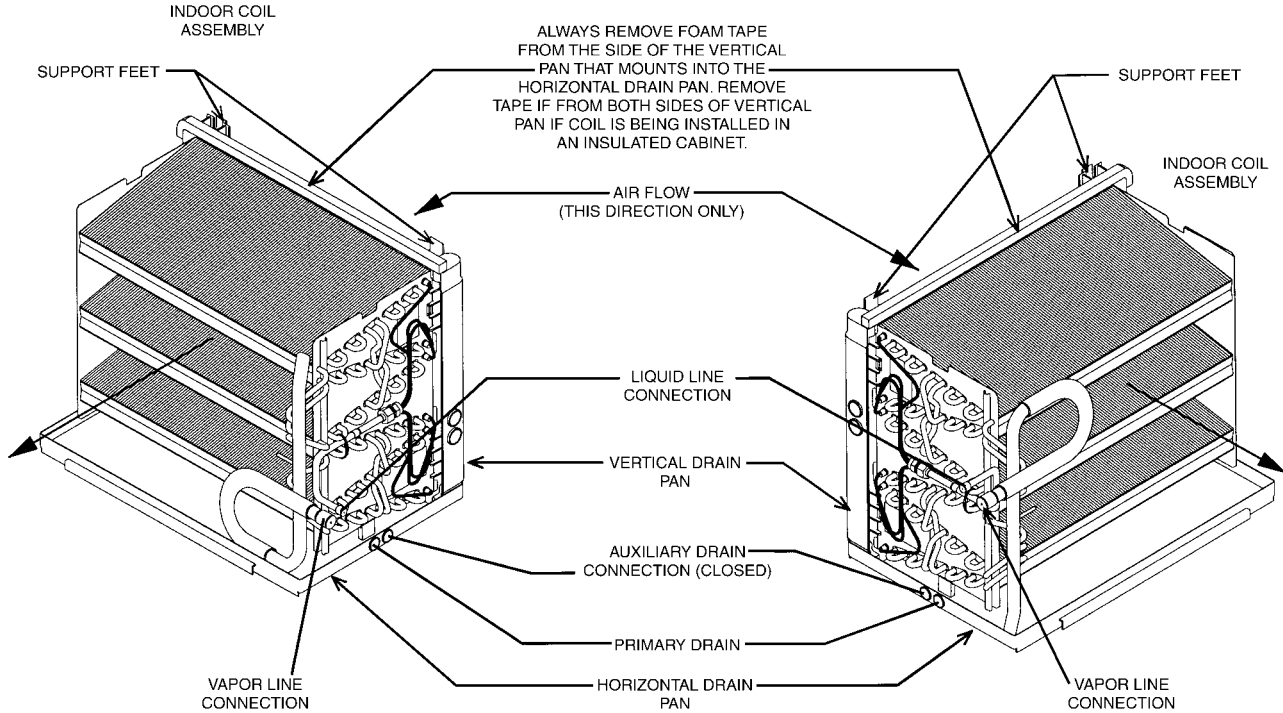
RCBA-/RCHJ-/RCHL- HORIZONTAL INDOOR COIL ASSEMBLY

Figure 1.

Indoor coil and drain pan set-up for horizontal left-hand air supply. Designated as (L) in model number. Side connection coil shown.

Figure 2.

Indoor coil and drain pan set-up for horizontal right-hand air supply. Designated as (R) in model number. Side connection coil shown.



***Foam Tape**

Foam tape is factory installed on the sides of the vertical drain pan if the coil is provided in a coil casing. Foam tape is shipped loose with uncased coils.

If uncased coil is installed vertical in a coil casing or air handler, install the foam tape on the sides of the vertical drain pan.

If installed horizontal, **DO NOT** install foam tape on the side of the vertical drain pan that fits into the horizontal drain pan. Remove foam tape, if already attached, from the side of the vertical drain pan that fits into the horizontal drain pan.

If coil, vertical or horizontal, is installed in coil casing or air handler with optional "Florida Insulation," **DO NOT** install foam tape on either side of the vertical drain pan.

I151

ACCESSORIES (continued)

INTERNAL COUPLER ACCESSORY RXBA-AA AND RXBA-AB

This internal coupler accessory is for installation in cased indoor cooling and heat pump coils. This allows a nominal size coil to be installed in the next larger size casing to be used on a gas or oil furnace. **NOTE: This accessory is for installation in coil casings to fit gas or oil furnaces only—this accessory must not be used on electric furnaces or heat pump air handlers.** The RXBA-AA can be ordered factory installed by both designating the next size larger casing width and by designating a “with adapter” (B) in the coil model number.

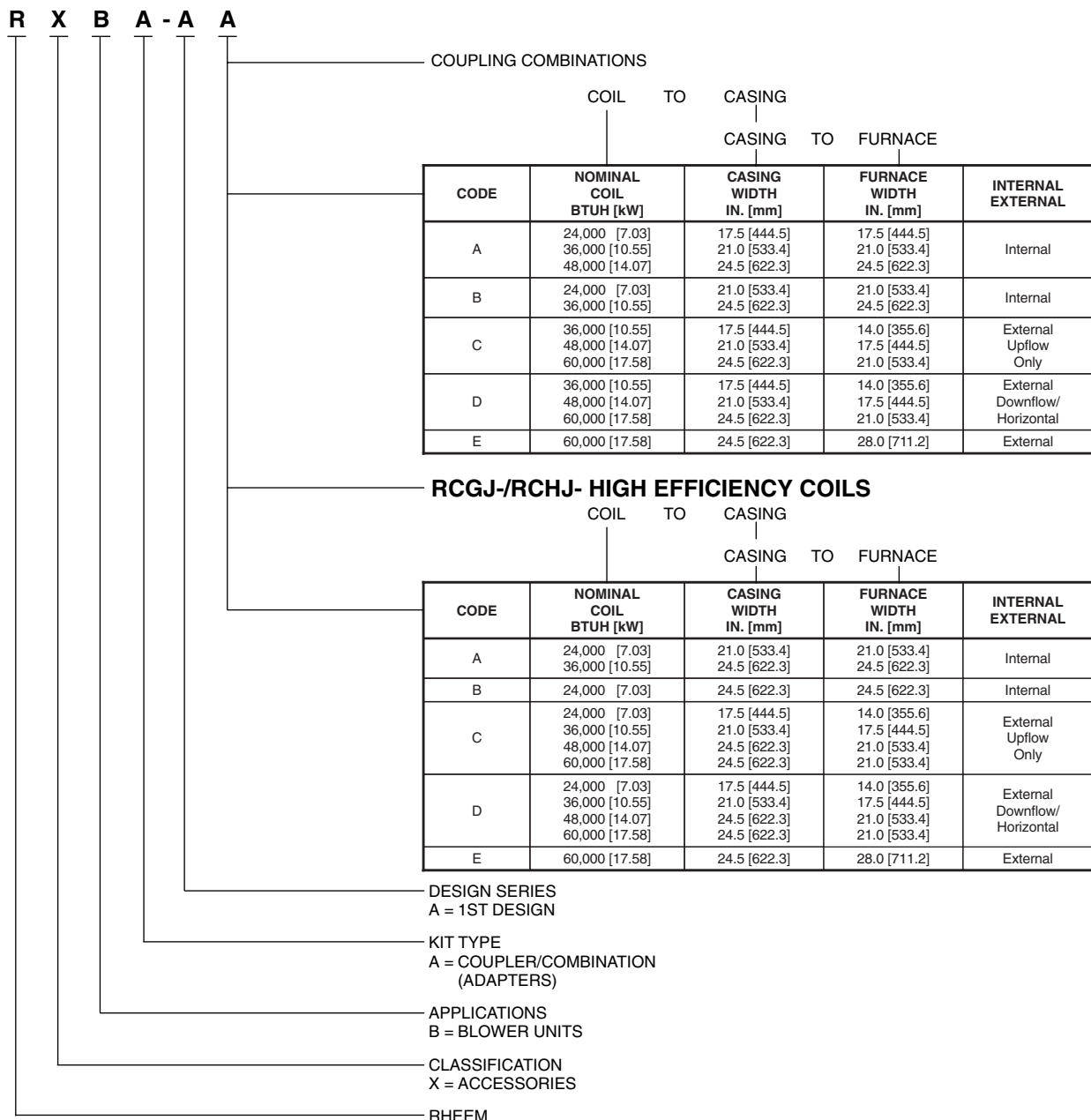
PLENUM ADAPTER ACCESSORY RXBA-AC AND RXBA-AD

This plenum adapter accessory is for installation on cased indoor cooling and heat pump coils. This allows a nominal size

cased coil to be installed on the next smaller size gas or oil furnace. **NOTE: This accessory is for installation on coil casings to fit gas or oil furnaces only—this accessory must not be used on electric furnaces or heat pump air handlers.** The RXBA-AC (Upflow Only) can be ordered factory installed by designation as “with adapter” (B) in the coil model number. The RXBA-AD for Downflow/Horizontal applications can be ordered separately through the order center.

PLENUM ADAPTER ACCESSORY RXBA-AE

This plenum adapter accessory is for use with the 24.5" [622.3 mm] wide cased indoor cooling and heat pump coils. This allows a 24.5" [622.3 mm] wide cased coil to be installed on a 28" [711.2 mm] wide oil furnace.



RXBC- INDOOR COIL CASING

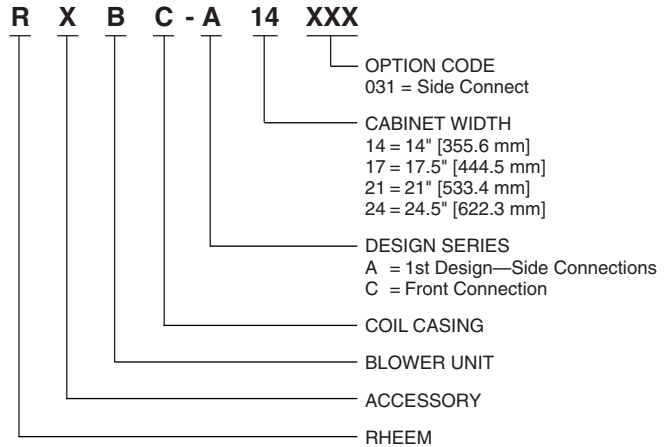
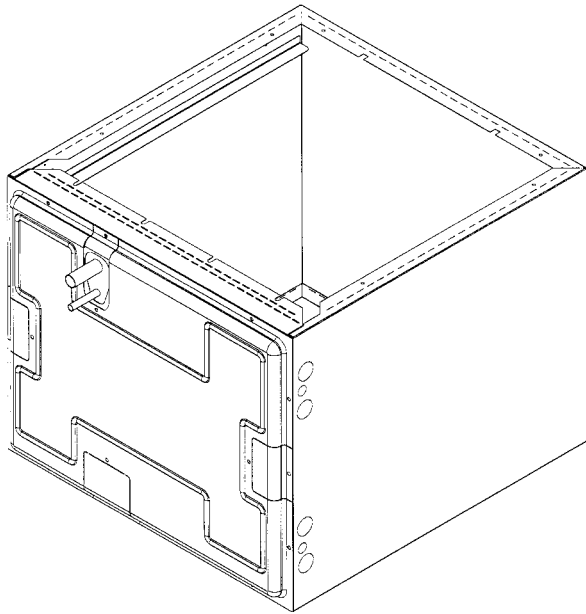
UNIT DIMENSIONS & WEIGHTS—RXBC- INDOOR COIL CASINGS

MODEL NUMBER	WIDTH "W" IN. [mm]	HEIGHT IN. [mm]	DEPTH IN. [mm]	UNIT WEIGHT		SUPPLY ①		RETURN ②	
				WT. [Kg]	SHIP WT. [Kg]	WIDTH IN. [mm]	DEPTH IN. [mm]	WIDTH IN. [mm]	DEPTH IN. [mm]
RXBC-*14	14 [356]	17½ [445]	22 [559]	17 [7.11]	19 [8.62]	13 [330]	19⅝ [498]	13 [330]	197/8 [505]
RXBC-*17	17½ [445]			19 [8.62]	21 [5.33]	16½ [419]		16½ [419]	
RXBC-*21	21 [533]			20 [9.07]	23 [10.43]	20 [508]		20 [508]	
RXBC-*24	24½ [622]			22 [9.98]	25 [11.34]	23½ [597]		23½ [597]	

NOTES: ① Supply dimensions for upflow & horizontal units. This is return dimensions for downflow units.

② Return dimensions for upflow & horizontal units. This is supply dimensions for downflow units.

*A = Side Connection; G = Front Connection



When using RCGJ-61A1, RCHJ-51A1 or RCHJ-61A1 (double stacked coils) use two RXBC-A24 casings.

[] Designates Metric Conversions

AIR BYPASS FRAME FOR UNCASSED COILS— (STANDARD ON ALL UNCASSED COILS)

To prevent air bypass around the drain pan, coil support frames are provided with each uncased coil.



Coil support frame is only used when coil is installed in other than standard coil casing. 1423

Before proceeding with installation, refer to installation instructions packaged with each model, as well as complying with all Federal, State, Provincial, and Local codes, regulations, and practices.

**Rheem Heating,
Cooling and
Water Heating**

P.O. Box 17010, Fort Smith, AR 72917



"In keeping with its policy of continuous progress and product improvement, Rheem reserves the right to make changes without notice."