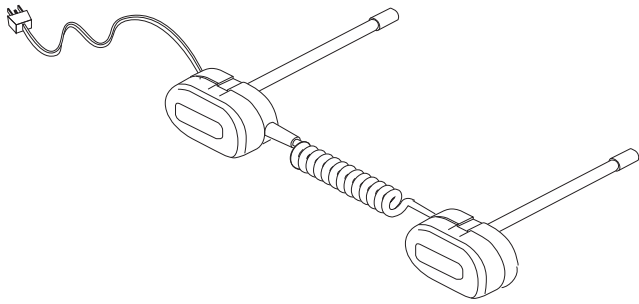


UVLCC(1, 2)LP
UVL – Ultraviolet Germicidal Lamp
Model 1 & 2 Lamp Systems
115-V & 208/230-V

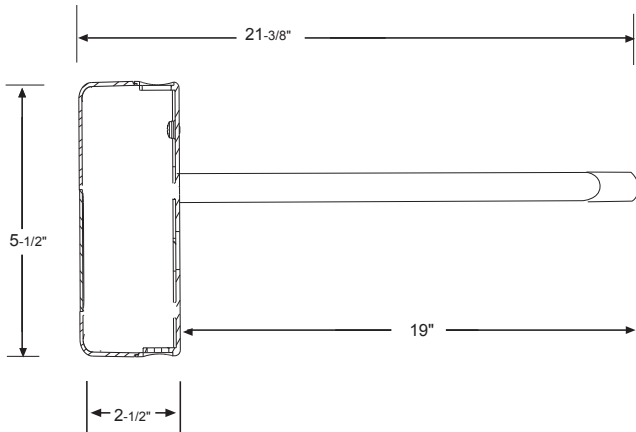


Product Data



C03009

DIMENSIONS



C03015

The UVL is designed to inhibit fungus and microbial growth when applied to the indoor coil/drain pan section of a central A/C system.

FEATURES/BENEFITS

FOUR MODELS OFFERED

Available in both single and dual lamp models in both 115-v and 208/230-v to meet needs in different applications.

CLEANER COIL AND IMPROVED INDOOR AIR QUALITY (IAQ)

The UV Lights work to clean the coil and prevent the growth of fungus on and around the coil by destroying the DNA of the fungus to kill or deactivate it.

TROUBLE-FREE INSTALLATION

One hole, 2 mounting screws per lamp and a power source are all that are needed to install.

NEARLY MAINTENANCE FREE OPERATION

The only maintenance required is replacing the lamp annually.

ZERO OZONE OPERATION

Carrier UV Lamp Systems do not produce ozone.



UVL-ULTRAVIOLET GERMICIDAL LAMP MODEL NUMBER NOMENCLATURE

1	2	3	4	5	6	7	8	9	10	11	12
U	V	L	C	C	1	L	P	1	0	2	0

Product Type
 UVL Ultraviolet Lamp

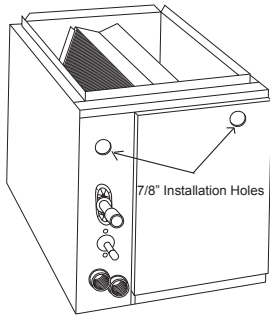
Brand
 CC - Carrier

Lamp
 1LP - Single Lamp Model
 2LP - Dual Lamp Model

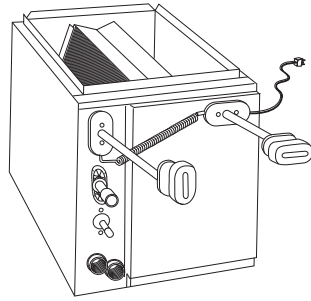
Size
 020

Electrical Supply
 1 - 115 Volt
 3 - 208/230 Volt

TYPICAL INSTALLATION

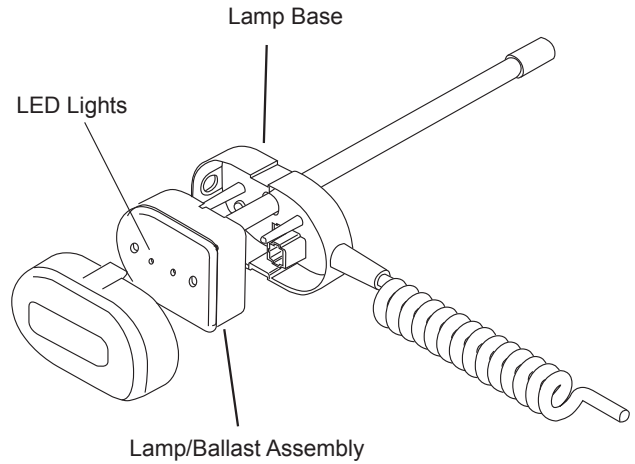


Step 1- Drill or cut 7/8-in hole



Step 2 - Mount Base and Slide Bulb Assembly into position. Then replace cover.

TYPICAL BULB ASSEMBLY CHANGE



Note: See installation instructions for additional mounting locations.

Note: LED Lights are not lamp change indicators. Lamps should be changed annually.

C04013

C03004

PHYSICAL DATA

SIZE	1LP	2LP	1LP	2LP
Electrical (V-PH-Hz)	115-1-60	115-1-60	208/230-1-60	208/230-1-60
Maximum Amperage Draw	0.6 Amps	1.1 Amps	0.3 Amps	0.6 Amps
Average Power Consumption	27 Watts	53 Watts	27 Watts	53 Watts
Unit Power Cord (included) with ground pin plug	6 foot cord	6 foot cord	6 foot cord	6 foot cord
Initial UVC Output at 1 Meter (in microwatts per square centimeter and 70 Deg F) and 450 FPM Airflow	105	198	105	198
Average Lamp Life	1 Year	1 Year	1 Year	1 Year
Lamp Length	19-in.	19-in.	19-in.	19-in.

REPLACEMENT LAMPS

REPLACEMENT LAMP ORDER NUMBERS		
Quantity	Lamp Voltage	Catalog Number
1 Lamp/Ballast Assembly	115-1-60	UVLXXRPL1020
1 Lamp/Ballast Assembly	208/230-1-60	UVLXXRPL3020