

## Product Data



**Large Fan Powered  
Model  
HUMCCLFP1418**



**Large Bypass  
Models  
HUMCCLBP2417  
HUMCCWBP2417 (water saver)**



**Small Bypass  
Model  
HUMCCSBP2412**



**Small Fan Powered  
Model  
HUMCCSFP1016**

Controlling indoor humidity is very important. In many cases the air inside a home is drier than a desert. Dry, indoor air is often the culprit for such common problems as itchy or cracked skin, eye irritation, dry nasal passages, and damaged home furnishings. Dry indoor air can also increase the possibility of catching cold and flu viruses and can reduce the efficiency and effectiveness of the heating system.

All of these problems can be alleviated with the help of a Carrier® humidifier. Carrier offers four humidifier models designed to put moisture back into the indoor environment so homeowners can relax in warm, soothing comfort. Depending on the model that best matches the system, a Carrier humidifier can deliver between 12 and 18 gallons (45 and 68 liters) of moisture per day to minimize the problems of excessively dry air. And, because humidified air feels warmer, using lower thermostat settings may be possible for added energy savings.

**Water Saver Models** - WBP Series units deliver 100% of water used. For use in applications where water costs are high, with septic systems or in drought-stricken areas

### FEATURES/BENEFITS

**Easy Access for Cleaning and Maintenance**—The treated aluminum water panel (or wicking paper water panel in the water-saver model) ensures top performance. Front or side access door allows for quick and convenient removal and replacement of water panel.

**Smooth, Low-Noise Operation**—Nearly silent operation is the result of Carrier humidifier's precision-engineered fan and motor combination on fan powered models. Air is drawn through the water panel quietly and efficiently, turning water into the water vapor that humidifies the home.

**Long Lasting, Attractive Cover**—The outside casing and interior components of all Carrier humidifiers are made from durable UV resistant plastic. This plastic resists deterioration, even when exposed to ultra-violet light sources common in many systems.

**Built-In Bypass Damper**—On the LBP, SBP and WBP models.

**Optimum Distribution of Moisture**—Through the combination of the solenoid valve and water distribution system by Carrier, homeowners will benefit from the most optimum distribution of moisture possible.

**Four Humidity Control Options**—Choose between four separate control options, the Humidistat, the HumidiTrac™, the Thermidistat™, and the Infinity™ Control. Each of these units provide precise control over the humidity levels in the home.

**Taupe Metallic**—Color-matched to the furnace (excluding small fan powered models).

## MODEL NUMBER NOMENCLATURE

HUM	CC	LFP	14	18
Product Type	Brand	Model Type	Series	Gallons (Liters) Per Day
Humidifier	Carrier	LFP – Large Fan Powered SBP – Small Bypass LBP – Large Bypass SFP – Small Fan Powered WBP – Water Saving Large Bypass	14 – LFP 24 – SBP, LBP, WBP 10 – SFP	LFP – 18 (68) SBP – 12 (45) LBP – 17 (64) SFP – 12.8 (48) WBP – 17 (64)

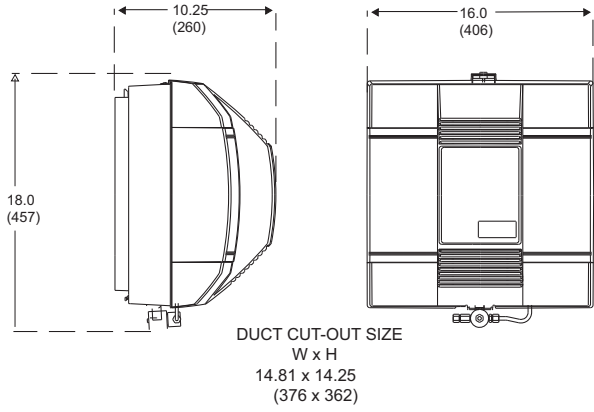
## PHYSICAL DATA

MODEL	HUMCCLFP1418	HUMCCLBP2417	HUMCCWBP2417	HUMCCSBP2412	HUMCCSFP1016
<b>Gallons (Liters)/Day</b>	18 (68)	17 (64)		12 (45)	12.8 (48)
<b>Gallons (Liters)/Hr</b>	6 (23)	3 (11)		3.2 (12)	
<b>Type</b>					
<b>Airflow</b>	Fan	Bypass		Fan	
<b>Water Flow</b>	Drain Through		Sump with Overflow Drain	Drain Through	
<b>General</b>					
<b>Water Panel Replacement</b>	P110–3545 (10 packs)	P110–3545 (10 packs)	P110–4545 (5 – 2 packs)	P110–1045 (10 packs)	324897–761 (10 packs)
<b>Water Panel in (mm) (H x W x D)</b>	13 x 10 x 1.7 (330 x 254 x 43)		9.9 x 9.6 x 1.7 (251 x 244 x 41)		9.7 x 9.2 x 1.2 (248 x 235 x 32)
<b>Water Panel Access</b>	Quick Release Cover				Side Door
<b>Unit Size in (mm) (H x W x D)</b>	18.0 x 16.0 x 10.25 (457 x 406 x 260)	15.125 x 14.0 x 10.25 (384 x 356 x 260)		12.25 x 14.0 x 10.25 (311 x 356 x 260)	12 x 12.5 x 10.18 (305 x 318 x 259)
<b>Weight lbs (kg)</b>	17.1 (7.8)	8.0 (4)		7.0 (3)	10.9 (5)
<b>Water Usage Gal (liters)/hr</b>	6 (23)	3 (11)		3.2 (12)	
<b>Electrical Control Low–Voltage Solenoid</b>					
<b>Volts</b>	24V–60Hz				
<b>Amps (Max)</b>	0.5				
<b>VA (Max)</b>	12				
<b>Watts</b>	2.3				1.0
<b>High Voltage Cord</b>					
<b>Volts</b>	120V–1ph–60Hz	N/A		115V–1ph–60Hz	
<b>Amps</b>	0.7	N/A		1.9	
<b>Connections</b>					
<b>Water Inlet</b>	1/4–in. Copper Tubing				
<b>Water Drain</b>	1/2–in. I.D. plastic hose				5/8–in. Tube
<b>Bypass Opening</b>	N/A	6–in. round elbow or straight			N/A
<b>Duct Opening in (mm) (W x H)</b>	14.81 x 14.25 (376 x 362)	9.87 x 12.62 (251 x 321)		9.5 x 9.5 (241 x 241)	11.87 x 11.5 (302 x 292)
<b>Standard Equipment</b>					
<b>Water Valve</b>	Solenoid, 24VAC				
<b>Motor</b>	Thermal Protected 120VAC (0.014HP = 1/70 HP)	N/A			Thermal Protected 115VAC, 25MH
<b>Relay</b>	DPST 24VAC*				SPST 24VDC to AC
<b>Humidistat</b>	24V		24V (not included)	24V	
<b>Saddle Valve</b>	Standard				
<b>Damper</b>	N/A	Standard			N/A
<b>Template</b>	Installation Sheet Included				
<b>Accessories</b>					
<b>HumidiTrac™ Automatic Control</b>	KUAW0101CAC				
<b>Current Sensing Relay</b>	P110–0050				N/A

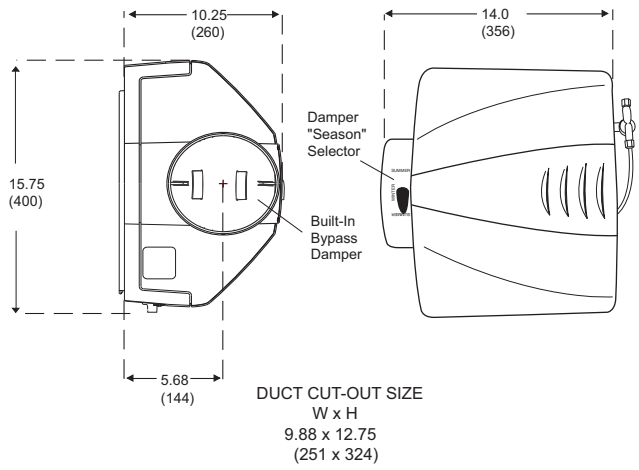
\* Field–supplied part no. HN61KQ120

# DIMENSIONS

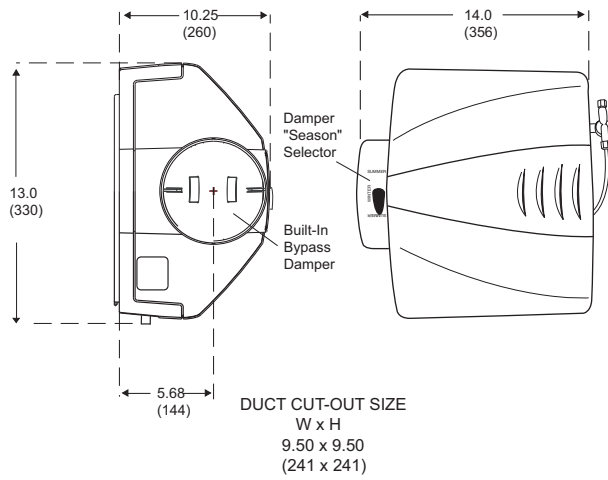
Model HUMCCLFP1418



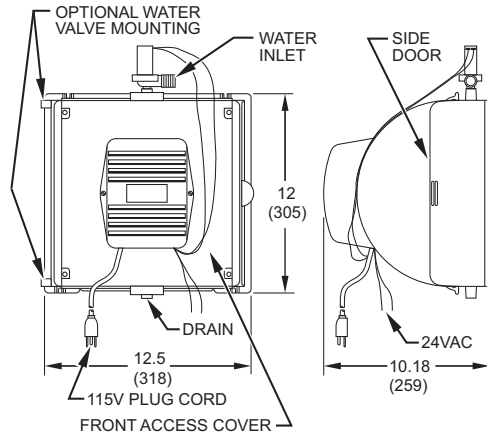
Model HUMCCLBP2417 & HUMCCWBP2417



Model HUMCCSBP2412



Model HUMCCSFP1016



HUM

A08384

## RECOMMENDED RELATIVE HUMIDITY BY OUTDOOR TEMPERATURE

OUTDOOR TEMP °F (°C)	OUTDOOR RELATIVE HUMIDITY (%)	INDOOR RELATIVE HUMIDITY (%) W/O HUMIDIFIER*	MAX RECOMMENDED INDOOR RELATIVE HUMIDITY†
-10 (-23)	30 to 70	1 to 2	20 (Lo)
0 (-18)	30 to 70	2 to 4	25
10 (-12)	30 to 70	3 to 6	30
20 (-7)	30 to 70	4 to 10	35
30 (-1)	30 to 70	6 to 15	40 (Med)

\* Indoor relative humidity level when outdoor air is heated to 72°F/22°C.

† As stipulated by the Air Conditioning Contractors of America.

## INDOOR RELATIVE HUMIDITY LIMIT FOR NO WINDOW CONDENSATION

(Indoor Air at 74°F/23°C Dry Bulb)

OUTDOOR TEMPERATURE °F (°C)	SINGLE PANE WINDOWS (%)	DOUBLE PANE WINDOWS (%)
40 (4)	39	59
30 (-1)	29	50
20 (-7)	21	43
10 (-12)	15	36
0 (-18)	10	30
-10 (-23)	7	26
-20 (-29)	5	21
-30 (-34)	3	17

## MAXIMUM MOISTURE REQUIREMENTS\*

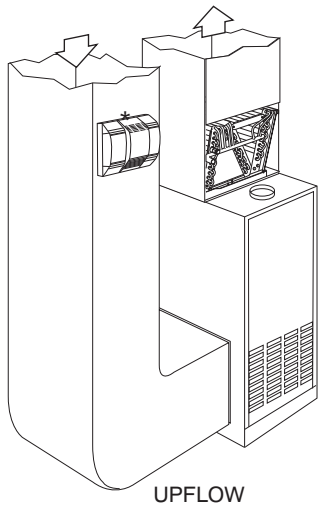
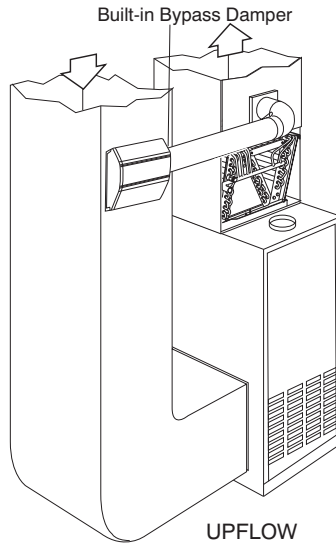
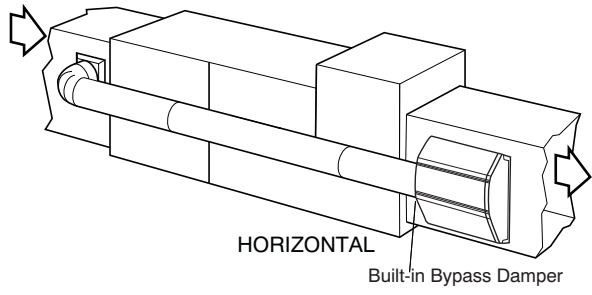
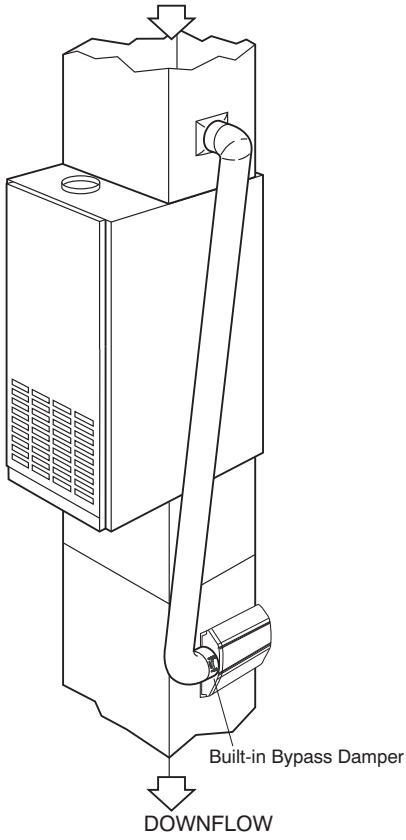
VOLUME OF RESIDENCE CUBIC FEET (CUBIC METER)	TIGHT HOUSE		AVERAGE HOUSE	
	POUNDS (KILOGRAMS) PER HOUR	GALLONS (LITERS) PER DAY	POUNDS (KILOGRAMS) PER HOUR	GALLONS (LITERS) PER DAY
8,000 (227)	1.76 (0.8)	5.09 (19)	3.52 (1.6)	10.17 (38)
10,000 (283)	2.21 (1.0)	6.35 (24)	4.41 (2.0)	12.72 (48)
12,000 (340)	2.64 (1.2)	7.63 (29)	5.29 (2.4)	15.26 (58)
14,000 (396)	3.09 (1.4)	8.91 (34)	5.92 (2.7)	17.08 (65)
16,000 (453)	3.53 (1.6)	10.18 (39)	7.06 (3.2)	20.35 (77)
18,000 (510)	3.97 (1.8)	11.45 (43)	7.94 (3.6)	22.89 (87)
20,000 (566)	4.41 (2.0)	12.72 (48)	8.82 (4.0)	25.44 (96)
22,000 (623)	4.85 (2.2)	13.99 (53)	9.71 (4.4)	27.98 (106)
24,000 (680)	5.29 (2.4)	15.27 (58)	10.59 (4.8)	30.52 (116)
26,000 (736)	5.74 (2.6)	16.54 (63)	11.47 (5.2)	33.07 (125)
28,000 (793)	6.18 (2.8)	17.81 (67)	12.35 (5.6)	35.61 (135)
30,000 (850)	6.62 (3.0)	19.08 (72)	13.24 (6.0)	38.16 (144)

\* Based on design conditions of outdoor 20°F/-7°C dry bulb, 80% RH; indoor 70°F/21°C dry bulb, 40% RH, and minimum moisture production from residential operations for an absolute humidity difference of 0.0049 lb/hr.

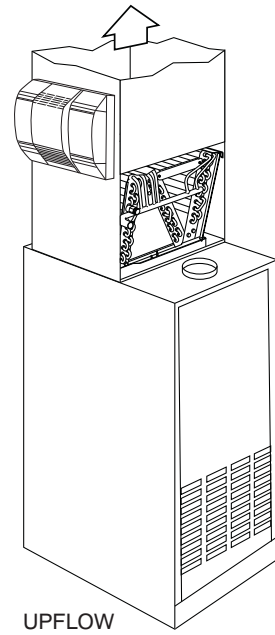
### NOTE:

Tight house is defined as being well insulated, having vapor barriers, tight storm doors and windows with weatherstripping, and having dampered fireplaces. Average house is defined as being insulated, having vapor barriers, loose storm door and windows and having dampered fireplace.

# TYPICAL HUMIDIFIER INSTALLATIONS



\*Note - It is recommended that hot water be supplied in this return air application.



HUM

## HUMIDIFIER REPLACEMENT WATER PANELS

DESCRIPTION	USED WITH	TOTALINE® ORDERING NO.
Replacement Water Panel	HUMCCLFP1418	P110-3545
	HUMCCLBP2417	
	HUMCCSBP2412	P110-1045
	HUMCCSFP1016	324897-761
	HUMCCWBP2417	P110-4545 (2 pack)

## HUMIDIFIER ACCESSORIES

DESCRIPTION	USED WITH	PART NO.
HumidiTrac™ Automatic Control	HUMCCLFP1418	KUAWC0101CAC-A10
	HUMCCLBP2417	
	HUMCCSBP2412	
	HUMCCWBP2417	
Humidistat Manual Control	HUMCCWBP2417	4363 (Totaline)
Relay	HUMCCLFP2417	HN61KQ120 (Totaline)

HUM