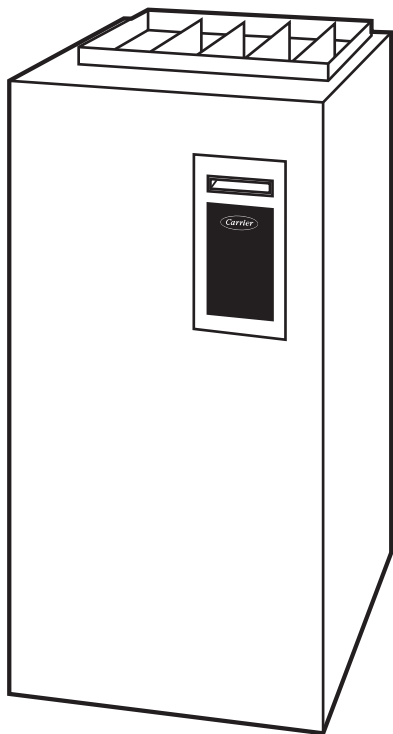


**58UVB PERFORMANCE™ 96
95% AFUE UPFLOW ONLY VARIABLE–SPEED
CONDENSING GAS FURNACE
Series 120, Input Rates 60,000 thru 120,000 Btuh**



Product Data



A05097



Comfort Heat™ TECHNOLOGY, THE ULTIMATE IN HEATING COMFORT...

The Carrier Performance™ 96 with Comfort Heat™ technology achieves the optimum combination of comfort and efficiency.

The Performance™ 96 achieves up to 95 percent Annual Fuel Utilization Efficiency (AFUE). Efficient performance is enhanced through the variable-speed design. To maintain ideal comfort, Comfort Heat technology automatically adjusts the heating level, maximizing the use of low heating levels that produce near silent furnace operation while meeting the exact heating needs. This unit is designed to keep the indoor temperature within 1 degree of the thermostat set point. Because it operates in low heat most of the time, the Performance 96 uses up to 80% less power than single-capacity furnaces.

In addition to providing ultimate comfort, the Performance 96 has a sealed combustion system. This system brings combustion air to the furnace and vents flue gases outside the furnace in a safe manner. Because it is sealed, operational noise is minimal. A sealed combustion system also means fewer cold drafts and less air infiltration.

The Performance 96 is available in 5 heat/airflow combinations. The unit has an upflow only design. The Performance 96 can be installed as a Direct vent/2-pipe only. The Performance 96 is not approved for installation in mobile homes, recreational vehicles, or outdoor use.

The variable speed makes the Performance 96 ideal for use with split-system cooling, including 2-stage units. A Carrier electronic air cleaner, humidifier, Thermidist™, comfort ventilator, and Comfort Zone™ II will provide year-round comfort and efficiency.

Designed for durability, comfort, and reliability, the Performance 96 is the ultimate in versatile, efficient comfort.

PERFORMANCE 96 FEATURES/ BENEFITS

IdealHumidity Technology

The IdealHumidity system actively controls both temperature and humidity in your home to provide the best comfort all year long. Other systems depend on heating or cooling to manage the moisture in the air. But IdealHumidity gives you the right amount of humidity, day and night, even in mild weather. *No other manufacturer can do this!* IdealHumidity saves energy, too. By keeping humidity under control, you can set your thermostat to stay comfortable and save energy—*up to 20% off your cooling costs!*

Comfort Heat Technology

On the coldest days of the year, the Performance 96 Furnace has the capacity to heat your home. On moderate days when less heat is required, this furnace will regulate itself to a lower capacity—providing a comfortable home and minimizing operating costs.

The patented algorithm adjusts the low-heat operating time to match the indoor conditions.

Reliable Heat Exchanger Design

The primary heat exchanger is made of aluminized steel for corrosion resistance. The patented Serpentuff™ condensing heat exchanger cells are laminated with polypropylene for greater resistance to corrosion and epoxy coated externally to prevent oxidation. This breakthrough in heating technology helps extend the life of the furnace for years of dependable performance. The heat exchanger is positioned in the furnace to extract additional heat.

Power Heat™ Igniter

Carrier's unique SiN igniter is not only physically robust but it is also electrically robust. It is capable of running at line voltage and does not require complex voltage regulators as do other brands. This unique feature further enhances the reliability of Performance 96 gas furnace and continues Carrier's tradition of technology leadership and innovation in providing a reliable and durable product.

ComfortFan™ Technology

Improves comfort all year long by allowing you to select the continuous fan speed right at the compatible thermostat.

SmartEvap™ Technology

Allows your system to reduce summertime humidity levels by nearly 10% over standard systems.

ComfortHeat™ Adaptive Control Center

The microprocessor control center features state-of-the-art combustion, temperature, and airflow control to maximize comfort while operating at peak efficiency.

Combustion control is obtained by taking the appropriate inducer motor RPM readings when the low-and high-fire pressure switches are made. Using this information, the microprocessor main-information, the microprocessor maintains a consistent air-to-fuel ratio independent of vent sizing and conditions.

The first cycle after power reset provides 16 minutes of low heat before switching to high heat unless the room thermostat has been satisfied. Subsequent thermostat cycles provide anywhere from 0 to 16 minutes of low heat depending on the length of the previous thermostat cycle.

Airflow control is accomplished by using a technique involving the microprocessor and blower motor. The static load on the air delivery system is measured each heating cycle. The microprocessor then uses this information to deliver correct airflow independent of variations in system restrictions. (For example, dirty filter or zone damper changes during a cycle.)

A special dehumidification function allows direct input from a thermostad or humidistat. This input adjusts system airflow for greater humidity removal and increased cooling comfort during summer months.

Direct Venting

The Performance 96 must be installed as a 2-pipe (direct vent) furnace or with combustion air supplied from a well-ventilated attic or crawl space.

Electronic Variable-Speed Motors

ECM Motors (Electronically Commutated Motor) provide variable-speed operation to optimize comfort levels in the home year round. They are also more economical to operate than standard motors.

Sealed Combustion System

Performance 96 brings in combustion air from outside the furnace, which results in especially quiet operation.

Insulation

Foil-faced insulation in heat exchanger section of the casing minimizes heat loss.

Insulated Blower Compartment

The acoustical insulation reduces air and motor noise for quiet operation.

Monoport Burners

The burners are finely turned for smooth, quiet combustion and economical operation.

Bottom Closure

Factory-installed for side return; easily removable for bottom return.

Blower Access Panel Switch

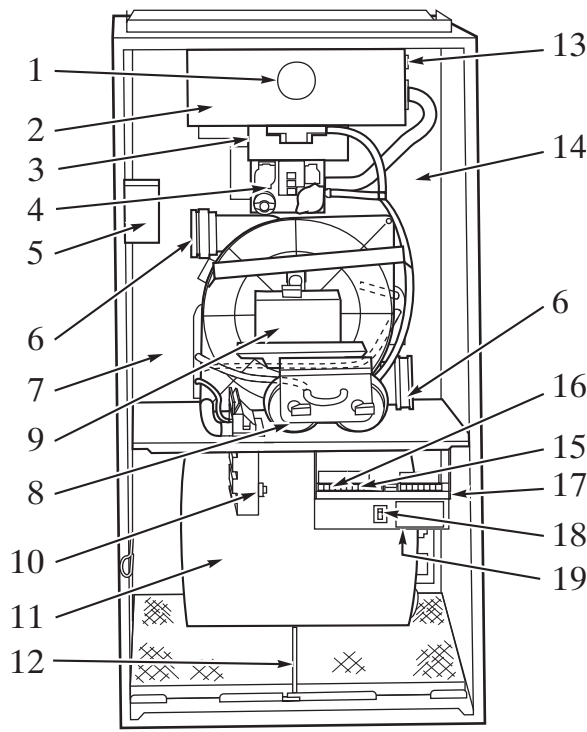
Automatically shuts off 115-V power to furnace whenever blower access panel is opened.

Quality Registration

The Performance 96 is engineered and manufactured under an ISO 9001 registered quality system.

Certifications

The Performance 96, Model 58UVB units are CSA (AGA and CGA) design certified for use with natural and propane gases. The furnace is factory-shipped for use with natural gas. A CSA listed gas conversion kit is required to convert furnace for use with propane gas. The efficiency is AHRI efficiency rating certified. The Performance 96 meets California Air Quality Management District emission requirements.



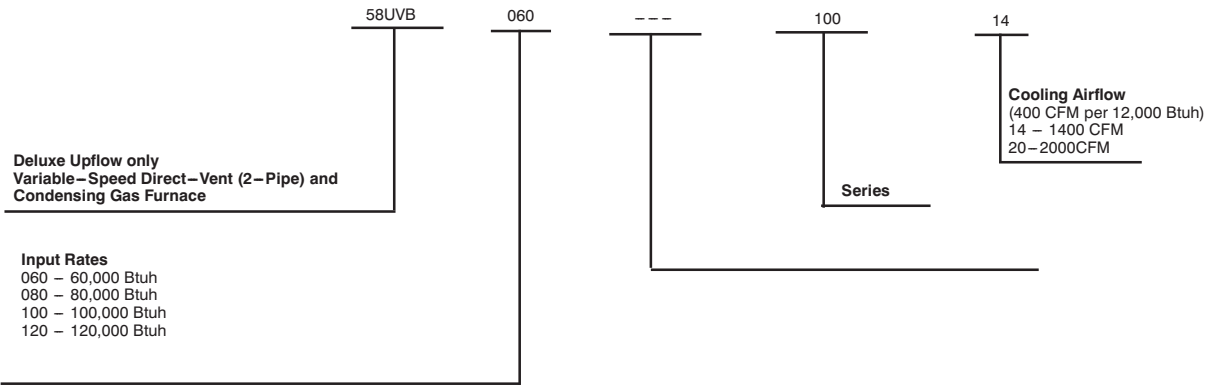
A02287

NOTES:

1. The 58UVB Furnace is built for use with natural gas. The furnace can be converted for propane gas with a factory–authorized and listed accessory conversion kit.
2. Control location and actual controls may be different than shown above.

- | | |
|---|--|
| <ol style="list-style-type: none"> 1. Burner sight glass for viewing burner flame. 2. Burner assembly (inside). Operates with energy saving, inshot burners and hot surface igniter for safe, dependable heating. 3. Combustion-air intake connection to ensure contaminate-free air (right or left side). 4. Redundant 2-stage gas valve. Safe, efficient. Features one gas control with two internal shutoff valves. 5. Junction box for 115-v electrical power supply. 6. Vent outlet. Uses PVC pipe to carry vent gases from the furnaces’s combustion system (right or left side). 7. Secondary condensing heat exchanger (inside). Wrings out more heat through condensation. Constructed with patented polypropylene-laminated steel to ensure durability. 8. Pressure switches ensure adequate flow of flue products through furnace and out vent system. 9. Inducer motor. Pulls hot flue gases through the heat exchangers, maintaining negative pressure for added safety. 10. Condensate drain connection. Collects moisture condensed during combustion process. | <ol style="list-style-type: none"> 11. Heavy-duty blower. Circulates air across the heat exchangers to transfer heat into the home. 12. Air filter and retainer. May be used for side return application. 13. Rollout switch (manual reset) to prevent overtemperature. 14. Primary serpentine heat exchanger (inside). Stretches fuel dollars with the S-shaped heat flow design. Solid construction of corrosion-resistant aluminized steel means reliability. 15. Three-amp fuse provides electrical and component protection. 16. Light emitting diodes (LEDs) on control center. Code lights are for diagnosing furnace operation and service requirements. 17. Comfort Heat Control center. 18. Blower access panel safety interlock switch. 19. Transformer (24v) behind control center provides low-voltage power to furnace control center and thermostat. |
|---|--|

MODEL NUMBER NOMENCLATURE



58UVB

CARRIER ACCESSORIES

DESCRIPTION	PART NO.	UNIT SIZE				
		060-14	080-14	080-20	100-20	120-20
Vent Termination Kit (Bracket Only for 2 Pipes)	2-in. — KGAVT0101BRA 3-in. — KGAVT0201BRA	X	X	X	X	X
Concentric Termination Kit (Single Exit)	2-in. — KGAVT0701CVT 3-in. — KGAVT0801CVT	X	X	X	X	X
Condensate Freeze Protection Kit	KGAVT0101CFP	X	X	X	X	X
Germicidal Air Purifier	Model GAPA	X	X	X	X	X
Condensate Neutralizer Kit (obtained thru RCD)	P908-0001	X	X	X	X	X
Electronic Air Cleaner	Model EACA	X	X	X	X	X
Mechanical Air Cleaner	Model FILCAB or EZXCAB	X	X	X	X	X
Humidifier	Model HUM	X	X	X	X	X
Heat Recovery Ventilator	Model HRV	X	X	X	X	X
Energy Recovery Ventilator	Model ERV	X	X	X	X	X
UV Lights	Model UVL	X	X	X	X	X
EZ Flex Media Filter with end caps – 16-in. (9 pack)	EXPXXLMC0016	X				
EZ Flex Media Filter with end caps – 20-in. (9 pack)	EXPXXLMC0020		X	X	X	
EZ Flex Media Filter with end caps – 24-in. (6 pack)	EXPXXLMC0024					X
Replacement EZ Flex Filter – 16-in. (10 pack)	EXPXXFIL0016	X				
Replacement EZ Flex Filter – 20-in. (10 pack)	EXPXXFIL0020		X	X	X	
Replacement EZ Flex Filter – 24-in. (10 pack)	EXPXXFIL0024					X
Exterior Filter Rack – Universal, 1-in. (adjustable from 14-in. to 24-in.) with filter	KGAFR0301ALL KGAFR0306ALL (6 pack)	X	X	X	X	
Unframed Filter 1-in. — 16 x 25	KGAWF1301UFR KGAWF1306UFR (6 pack)	X	S	S	S	
Unframed Filter 1-in. — 20 x 25	KGAWF1401UFR KGAWF1406UFR (6 pack)		X	X	X	
Unframed Filter 1-in. — 24 x 25	KGAWF1501UFR KGAWF1506UFR (6 pack)					X

CARRIER ACCESSORIES CONTINUED

DESCRIPTION	PART NO.	UNIT SIZE				
		060-14	080-14	080-20	100-20	120-20
Natural-To-Propane Gas Conversion Kit (Single Kit)*	KGANP4601ALL	X	X	X	X	X
Propane-To-Natural Gas Conversion Kit (Single Kit)	KGAPN3901ALL	X	X	X	X	X
ECM Motor Simulator (simulates the ECM blower and inducer motor to aid troubleshooting)	KGASD0301FMS	X	X	X	X	X
Door Gasket Kit	KGBAC0110DGK	X	X	X	X	X
Advanced Product Monitor (software and hardware to link pc laptop to control board)	KGAFP0301APM	X	X	X	X	X
ECM Control Replacement Module - 1/2 HP	HK44EA123	X	X			
ECM Control Replacement Module - 1 HP	HK52EA123			X	X	X
Gas Orifice Kit Size 42 (Qty 50)	KGAHA0150N42	See Installation Instructions for model, altitude, and heat value usages.				
Gas Orifice Kit Size 43 (Qty 50)	KGAHA0250N43					
Gas Orifice Kit Size 44 (Qty 50)	KGAHA0350N44					
Gas Orifice Kit Size 45 (Qty 50)	KGAHA0450N45					
Gas Orifice Kit Size 46 (Qty 50)	KGAHA0550N46					
Gas Orifice Kit Size 47 (Qty 50)	KGAHA1550N47					
Gas Orifice Kit Size 48 (Qty 50)	KGAHA850N48					
Gas Orifice Kit Size 54 (Qty 50)	KGAHA0850P54					
Gas Orifice Kit Size 55 (Qty 50)	KGAHA0750P55					
Gas Orifice Kit Size 56 (Qty 50)	KGAHA0850P56					
Gas Orifice Kit Size 1.25mm (Qty 50)	KGAHA05750125					
Gas Orifice Kit Size 1.30mm (Qty 50)	KGAHA5750130					

* Factory-authorized and field-installed. Gas conversion kits are CSA (AGA/CGA) recognized. S 16 x 25 filters suitable for side return on all furnace sizes.

A06514

58UVB

THERMOSTAT AND ZONING CONTROL OPTIONS

NON-PROGRAMMABLE THERMOSTAT SELECTION

TC-NAC or TP-NAC	For use with 1 speed Air Conditioner – °F/°C, Auto Changeover
TC-NHC or TP-NHC	For use with 1 speed Air Conditioner – °F/°C, Auto Changeover
TP-NRH*	For use with 2 speed Air Conditioner – °F/°C, Auto Changeover

* Model HP & 2 Stage thermostat must be field converted to air conditioner operation.

PROGRAMMABLE THERMOSTAT SELECTION

TP-PAC	For use with 1 speed Air Conditioner – °F/°C, Auto Changeover, 7-Day Programmable
TP-PHP*	For use with 1 speed Heat Pump – °F/°C, Auto Changeover, 7-Day Programmable
TP-PRH*	For use with 2 speed Air Conditioner – °F/°C, Auto Changeover, 7-Day Programmable
TB-PAC	For use with 1 speed Air Conditioner – °F/°C, Auto Changeover, 5-2 Programmable
TP-PRH†	For use with two-stage applications – °F/°C, Auto Changeover, 7-Day Programmable
TP-PRH‡	For multi-use/stage configurations – °F/°C, Auto Changeover 7-Day Programmable

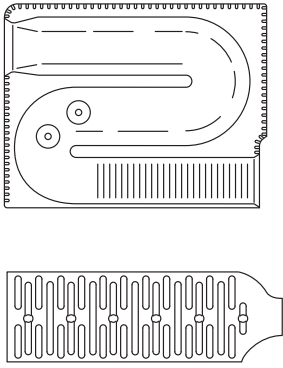
* Model HP & 2 Stage thermostat must be field converted to air conditioner operation.

† Hybrid Heat™ thermostat is used with furnace and heat pump application.

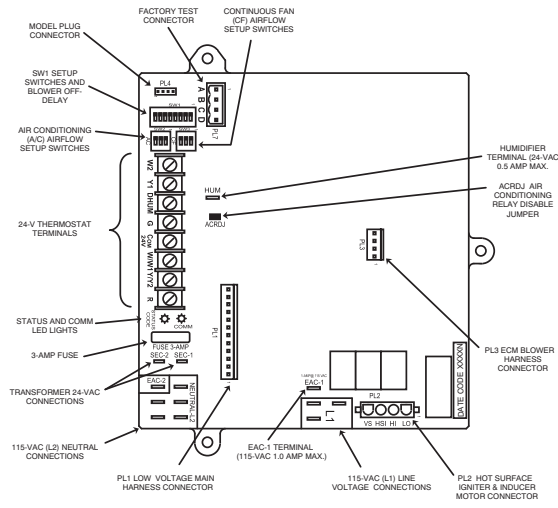
‡ Thermostat can be configured for heating, cooling, and Hybrid Heat applications. It must be configured for each specific application.

ZONING CONTROL SELECTION

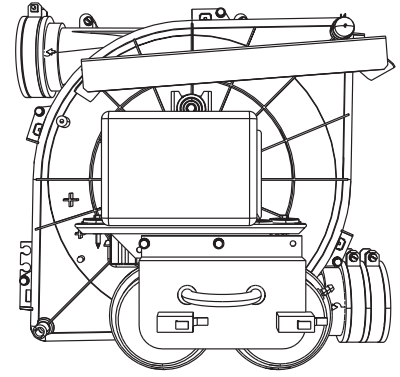
ZONECC3Z(AC/HP)01	WeatherMaker Two-Zone Kit
ZONECC2KIT01-B	Comfort Zone II-B 2-Zone Kit
ZONECC4KIT01-B	Comfort Zone II-B 4-Zone Kit
ZONECC8KIT01-B	Comfort Zone II-B 8-Zone Kit



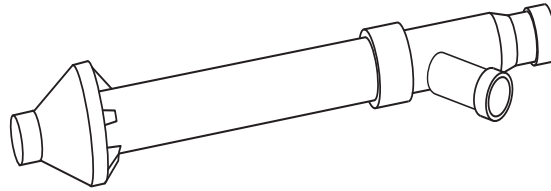
Heat Exchangers A92505



Control Center A09679



Inducer Assembly A02286

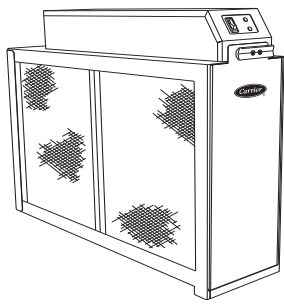


A93086

Concentric Vent (Direct Vent/2-Pipe Only)

A concentric vent kit allows vent and combustion-air pipes to terminate through a single exit in a roof or side wall.

One pipe runs inside the other allowing venting through the inner pipe and combustion air to be drawn in through the outer pipe.

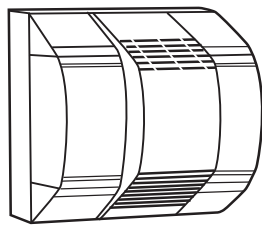


A97152

Electronic or Mechanical Air Cleaner

Cleans the air of smoke, dirt, and many pollens commonly found. Saves decorating and cleaning expenses by keeping carpets, furniture, and drapes cleaner.

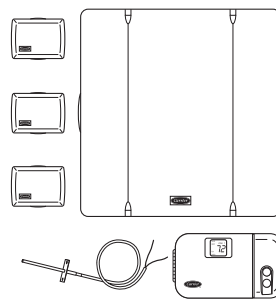
Electronic Air Cleaner is shown.



A01484

Humidifier

By adding moisture to winter dry air, a Carrier humidifier can often improve comfort and keeps woodwork, wallpaper, and paint in better condition. Moisturizing household air also helps to retain normal body heat and provides comfort at lower temperature.

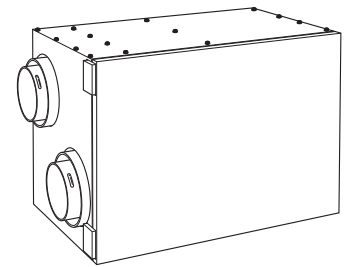


A97432

Controls: Thermostats and Zoning

Available in programmable and non-programmable models, Carrier thermostats maintain a constant, comfortable temperature level in the home.

For the ultimate in home comfort, Carrier's 2-, 4-, or 8-zone systems allow temperature control of individual "zones" of the home. This is accomplished through a series of electronic dampers and remote room sensors. The 4-zone system is shown.



A04336

Energy/Heat Recovery Ventilator

Carrier's energy or heat recovery ventilators exhaust stale indoor air and provide fresh outdoor air to the home while minimizing heat loss and humidity level. Especially useful for today's tighter constructed houses.

Energy recovery ventilator is shown.



Use of the AHRI Certified TM Mark indicates a manufacturer's participation in the program. For verification of certification for individual products, go to www.ahridirectory.org.



ISO 9001
QMI-SAI Global

Always Ask For
**FACTORY
AUTHORIZED
PARTS**

PHYSICAL DATA

DESCRIPTION	UNIT SIZE				
	060-14	080-14	080-20	100-20	120-20
Direct-Drive Motor Hp (ECM)	1/2	1/2	1	1	1
Motor Full Load Amps	7.7	7.7	12.8	12.8	12.8
RPM (Nominal)—Speeds	Variable 250 — 1300				
Blower Wheel Diameter X Width (in.)	10 X 7	11 X 10	11 X 10	11 X 10	11 X 10
Filter Size (in.) Nominal A (Washable)	(1) 16 X 25 X 1	(1) 20 X 25 X 1	(1) 20 X 25 X 1	(1) 20 X 25 X 1	(1) 24 X 25 X 1
Shipping Weight (lb)	170	182	204	203	234
Limit Control	SPST				
Heating Blower Control (Off Delay)	Selectable 90, 120, 150, or 180 SEC Intervals				
Burners (Monoport)	3	4	4	5	6
Gas Connection Size	1/2-in. NPT				
Gas Valve (Redundant) Manufacturer Minimum Inlet Pressure (in. wc) Maximum Inlet Pressure (in. wc)	White-Rodgers 4.5 (Natural Gas) 13.6 (Natural Gas)				
Ignition Device	Hot Surface -SiN				

58UVB

PERFORMANCE DATA

DESCRIPTION		UNIT SIZE				
		060-14	080-14	080-20	100-20	120-20
Certified Temp Rise Range (°F)	Low	40-70	40-70	40-70	40-70	40-70
	High	35-65	40-70	35-65	45-75	45-75
Certified Ext Static Pressure (ESP) (in. wc)	Heating	0.12	0.15	0.15	0.20	0.20
	Cooling	0.50	0.50	0.50	0.50	0.50
Airflow CFM*	Heating Low	635 (700†)	860 (945†)	880 (970†)	1105 (1215†)	1325 (1455†)
	Heating High	1070	1245	1490	1525	1900
	Cooling (Max)	1400	1372	1975	1950	2060
Output Capacity Btuh‡ (ICS)	Low	37,000	50,000	50,000	63,000	75,000
	High	56,000	75,000	75,000	94,000	113,000
AFUE%‡		95.0	95.0	95.0	95.0	95.0
Input Btuh**	Low	39,000	52,000	52,000	65,000	78,000
	High	60,000	80,000	80,000	100,000	120,000

* Airflow shown is for bottom only return-air supply with factory-supplied 1-in. washable filter(s). For air delivery above 1800 CFM, see Air Delivery table for other options.

† Low heat CFM when low-heat rise adjustment switch (SW1-3) on furnace control is used.

‡ AFUE and capacity in accordance with U.S. Government DOE test procedures.

** Gas input ratings are certified for elevations to 2000 ft. For elevations above 2000 ft, reduce ratings 2% for each 1000 ft above sea level. In Canada, derate the unit 5% for elevations from 2000 to 4500 ft above sea level.

AIR DELIVERY - CFM (BOTTOM RETURN WITH FILTER)*

Unit Size	Operating Mode	CFM Airflow Setting	External Static Pressure Range*	External Static Pressure (ESP) In. W.C.									
				0.1	0.2	0.3	0.4	0.5	0.6	0.7	0.8	0.9	1.0
060-14													
††	Low Heat	635†	0-0.50	635	635	625	615	615					
	High Heat	1070†	0-1.0	1070	1070	1070	1070	1070	1070	1070	1070	1065	1045
	1-1/2-Ton A/C Cooling	525	0-0.50‡	525	525	510	495	465					
	2-Ton A/C Cooling	700	0-0.50‡	700	700	695	680	680					
	2-1/2-Ton A/C Cooling	875	0-1.0‡	850	870	875	875	870	860	845	825	810	805
	3-Ton A/C Cooling	1050	0-1.0	1050	1050	1050	1050	1050	1050	1050	1050	1050	1045
	3-1/2-Ton A/C Cooling	1225	0-1.0	1225	1225	1225	1225	1225	1225	1225	1225	1225	1205
	Maximum	1400	0-1.0	1400	1400	1400	1400	1400	1400	1400	1400	1380	1325
080-14***													
††	Low Heat	900†	0-0.50	860	870	880	885	885	880	870	855	850	845
	High Heat	1245†	0-1.0	1245	1245	1245	1245	1245	1245	1245	1235	1190	1145
	1-1/2-Ton A/C Cooling	525	0-0.50‡	515	495	490	475	465					
	2-Ton A/C Cooling	700	0-0.50‡	685	680	670	665	665					
	2-1/2-Ton A/C Cooling	875	0-1.0‡	830	840	850	860	860	855	840	830	825	820
	3-Ton A/C Cooling	1050	0-1.0‡	1050	1050	1050	1050	1050	1045	1040	1025	1015	1000
	3-1/2-Ton A/C Cooling	1225	0-1.0‡	1225	1225	1225	1225	1225	1225	1225	1225	1185	1140
	Maximum	1400	0-1.0‡	1400	1400	1400	1400	1375	1325	1280	1235	1190	1145
080-20***													
††	Low Heat	880†	0-0.50	880	880	880	875	880					
	High Heat	1500†	0-1.0	1485	1495	1500	1500	1500	1500	1500	1485	1475	1465
	2-Ton A/C Cooling	700	0-0.50‡	670	640	635	630	630					
	2-1/2-Ton A/C Cooling	875	0-0.50‡	870	875	865	865	865					
	3-Ton A/C Cooling	1050	0-1.0‡	1050	1045	1040	1045	1045	1050	1050	1050	1045	1040
	3-1/2-Ton A/C Cooling	1225	0-1.0‡	1225	1225	1225	1225	1225	1225	1225	1225	1225	1225
	4-Ton A/C Cooling	1400	0-1.0‡	1330	1345	1360	1375	1380	1380	1380	1370	1365	1355
	5-Ton A/C Cooling	1750	0-1.0	1750	1750	1750	1750	1750	1750	1745	1725	1700	1685
Maximum	2000	0-1.0	2000	2000	2000	2000	1975	1955	1920	1870	1820	1770	
100-20***													
††	Low Heat	1110†	0-0.50	1105	1110	1110	1110	1110	1110	1110	1110	1110	1110
	High Heat	1525†	0-1.0	1525	1525	1525	1525	1525	1525	1525	1510	1495	1470
	2-Ton A/C Cooling	700	0-0.50‡	700	690	690	690	690					
	2-1/2-Ton A/C Cooling	875	0-0.50‡	835	845	855	860	865					
	3-Ton A/C Cooling	1050	0-1.0‡	1050	1050	1050	1050	1050	1050	1050	1050	1050	1050
	3-1/2-Ton A/C Cooling	1225	0-1.0‡	1170	1190	1205	1220	1225	1225	1225	1225	1225	1225
	4-Ton A/C Cooling	1400	0-1.0‡	1400	1400	1400	1400	1400	1400	1400	1400	1400	1375
	5-Ton A/C Cooling	1750	0-1.0	1735	1740	1735	1735	1725	1720	1710	1695	1680	1660
Maximum	2000	0-1.0	1995	1985	1980	1965	1950	1935	1910	1885	1860	1815	
120-20													
††	Low Heat	1330†	0-1.0	1325	1330	1330	1330	1330	1330	1330	1330	1330	1325
	High Heat	1900†	0-1.0	1900	1900	1900	1900	1900	1885	1875	1860	1840	1815
	2-Ton A/C Cooling	700	0-0.50‡	700	700	700	700	695					
	2-1/2-Ton A/C Cooling	875	0-0.50‡	870	875	875	865	870					
	3-Ton A/C Cooling	1050	0-1.0‡	1025	1035	1045	1050	1050	1050	1050	1050	1040	1025
	3-1/2-Ton A/C Cooling	1225	0-1.0‡	1210	1210	1210	1225	1225	1225	1225	1225	1225	1225
	4-Ton A/C Cooling	1400	0-1.0‡	1385	1400	1400	1400	1400	1400	1400	1395	1375	1370
	5-Ton A/C Cooling	1750	0-1.0‡	1745	1730	1735	1735	1740	1735	1730	1725	1710	1685
6-Ton A/C Cooling	2100	0-1.0	2100	2100	2080	2065	2060	2045	2030	2000	1960	1895	
Maximum	2100	0-1.0	2100	2100	2080	2065	2060	2045	2030	2000	1960	1895	

* Actual external static pressure (ESP) can be determined by using the fan laws (CFM² proportional to ESP); such as, a system with 1750 CFM at 0.5 ESP would operate at high-heating airflow of 1500 CFM at 0.37 ESP and low-heating airflow of 880 CFM at 0.13 ESP.

† All heating CFMs are when low-heat rise adjustment switch (SW1-3) and comfort/efficiency adjustment switch (SW1-4) are OFF.

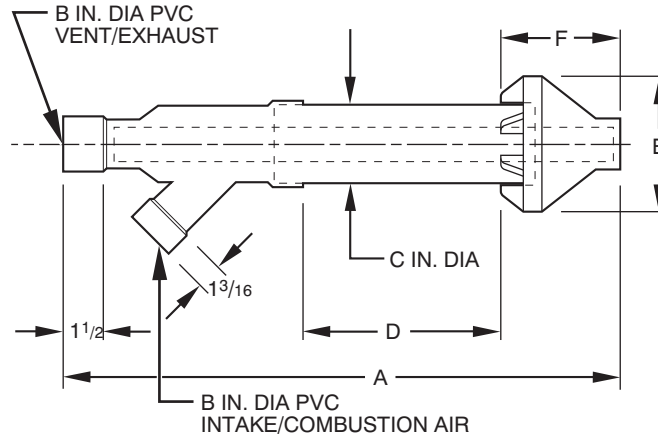
‡ Ductwork must be sized for high-heating CFM within the operational range of ESP.

** Wattage data provided is for the circulating blower with bottom return and does not include draft inducer, accessories, or gas controls.

†† Operation within the blank areas of the chart is not recommended because high-heat operation will be above 1.0 ESP.

*** All airflows on 21 in. casing size furnaces are 5% less on side return only installations.

CONCENTRIC VENT (DIRECT VENT/2-PIPE ONLY) (ALL MODEL SIZES)



A97110

58UVB

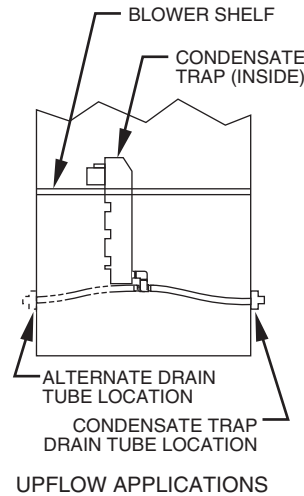
Dimensions (In / mm)

KIT PART NO.	A*	B	C	D†	E	F
KGAVT0701CVT	33-3/8 (847.7)	2 (50.8)	3-1/2 (88.9)	16-5/8 (422.3)	6-1/4 (158.8)	5-3/4 (146.1)
KGAVT0801CVT	38-7/8 (987.4)	3 (78.2)	4-1/2 (114.3)	21-1/8 (536.6)	7-3/8 (189.3)	6-1/2 (165.1)

* Dimension A will change proportionally as dimension D is lengthened or shortened.

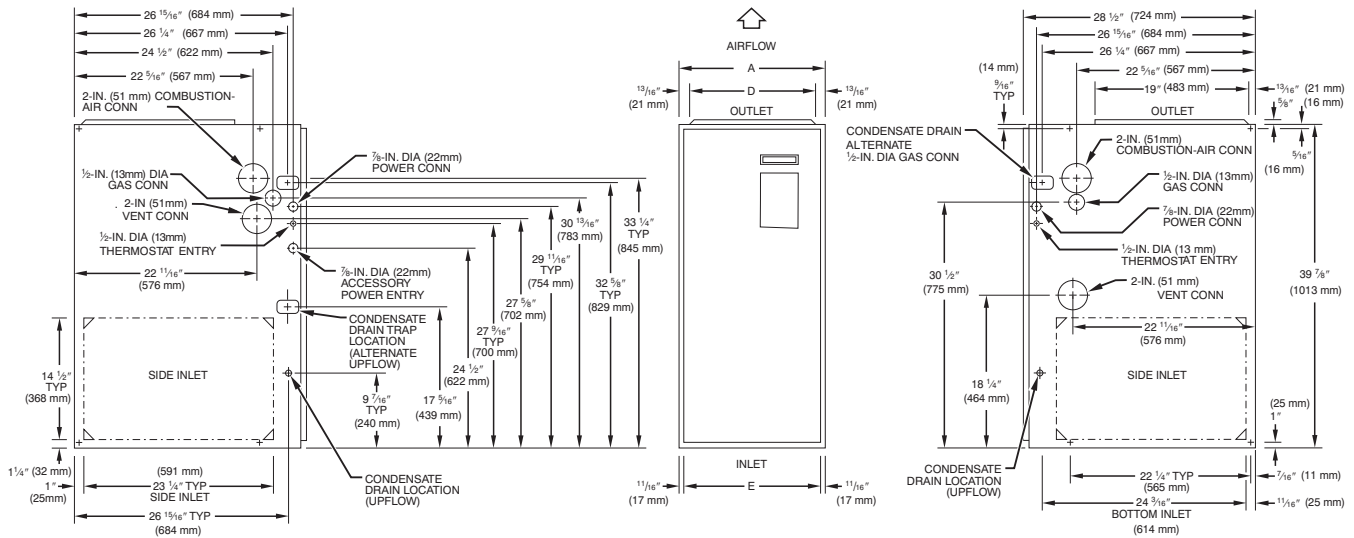
† Dimension D may be lengthened to 60 in. (1524 mm) maximum. Dimension D may also be shortened by cutting the pipes provided in the kit to 12 in. (304.8 mm) minimum.

CONDENSATE TRAP



A06450

DIMENSIONS



- NOTES:**
1. Minimum return-air openings at furnace, based on metal duct. If flex duct is used, see flex duct manufacturer's recommendations for equivalent diameters.
 2. Minimum return-air opening at furnace:
 - a. For 800 CFM—16-in. (406mm) round or 14 1/2 (368 mm)x 12-in. (305 mm) rectangle
 - b. For 1200 CFM—20-in. (508mm) round or 14 1/2 (368mm)x 19 1/2-in. (495mm) rectangle
 - c. For 1600 CFM—22-in. (559mm) round or 14 1/2 (368mm)x 23 1/2-in.(591mm) rectangle
 - d. For airflow requirements above 1800 CFM, see Air Delivery table in literature for specific use of single side inlets. The use of both side inlets, a combination of 1 side and the bottom, or the bottom only will ensure adequate return air openings for airflow requirements above 1800 CFM.

A09680

Dimensions - In. (mm)

UNIT SIZE	A	D	E
060-14	17-1/2 (445)	15-7/8 (403)	16 (406)
080-14	21 (533)	19-3/8 (492)	19-1/2 (495)
080-20	21 (533)	19-3/8 (492)	19-1/2 (495)
100-20	21 (533)	19-3/8 (492)	19-1/2 (495)
120-20	24-1/2 (622)	22-7/8 (581)	23 (584)

ELECTRICAL DATA

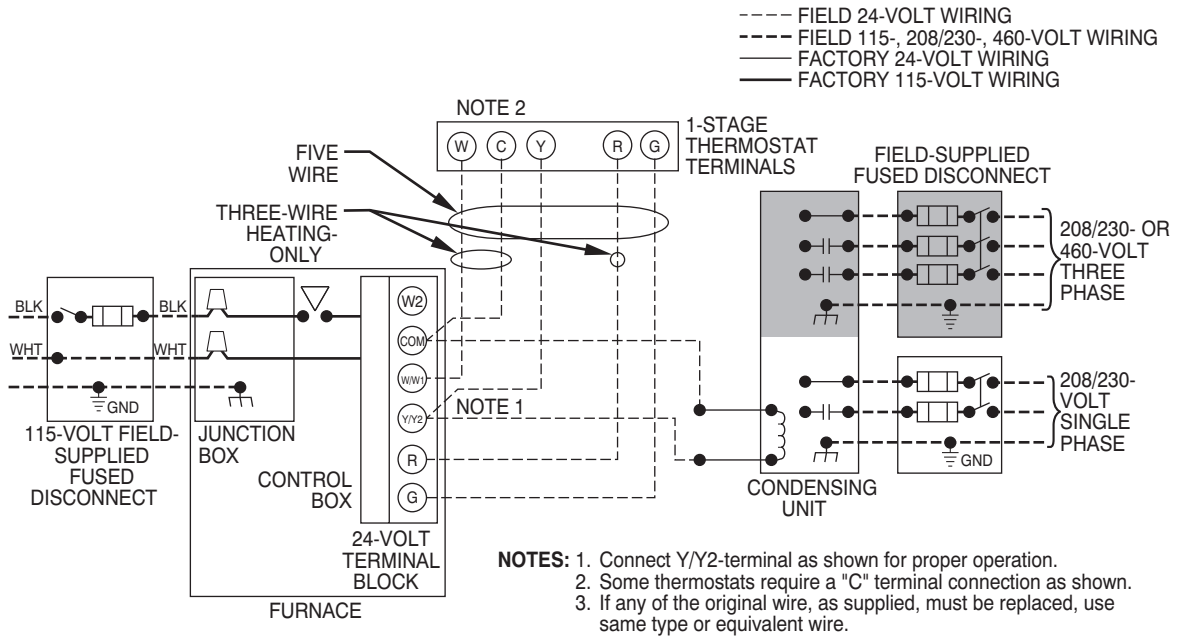
UNIT SIZE	060-14	080-14	080-20	100-20	120-20
Unit Volts-Hertz-Phase	115-60-1				
Operating Voltage Range (Min-Max)*	104-127				
Maximum Unit Amps	8.9	8.9	13.8	13.8	13.8
Minimum Wire Size	14	14	12	12	12
Maximum Wire Length (ft)†	31	31	32	32	32
Maximum Fuse or Ckt Brk (Amps)‡	15	15	20	20	20
Transformer (24v)	40va				
External Control Power Available	Heating		25va		
	Cooling		34va		

* Permissible limits of the voltage range at which the unit will operate satisfactorily.

† Length shown is as measured 1 way along wire path between unit and service panel for maximum 2% voltage drop.

‡ Time-delay type is recommended.

TYPICAL WIRING SCHEMATIC



58UVB

A95236

MAXIMUM ALLOWABLE PIPE LENGTH (FT / M)

58UVB

UNIT SIZE (BTUH)	ALTITUDE	Direct Vent (2-Pipe Only)		NUMBER OF 90° ELBOWS						
		Termination Type	Pipe Dia (IN.)*	1	2	3	4	5	6	
60,000	0 to 2000	2 Pipe or 2-In. Concentric	1-1/2	50 / 15.2	45 / 13.7	40 / 12.9	35 / 10.7	30 / 9.1	25 / 7.6	
			2	70 / 21.3	70 / 21.3	70 / 21.3	70 / 21.3	70 / 21.3	70 / 21.3	
80,000		2 Pipe or 2-In. Concentric	1-1/2	30 / 9.14	25 / 7.6	20 / 6.1	15 / 4.6	10 / 3.0	5 / 1.5	
			2	70 / 21.3	70 / 21.3	70 / 21.3	70 / 21.3	70 / 21.3	70 / 21.3	
100,000		2 Pipe or 2-In. Concentric	2	45 / 13.7	40 / 12.9	35 / 10.7	30 / 9.1	25 / 7.6	20 / 6.1	
			2-1/2	70 / 21.3	70 / 21.3	70 / 21.3	70 / 21.3	70 / 21.3	70 / 21.3	
120,000		2 Pipe or 3-In. Concentric	2-1/2 one disk	10 / 3.0	NA	NA	NA	NA	NA	
			3 one disk	35 / 10.7	30 / 9.1	15 / 4.8	NA	NA	NA	
			3 one disk†	70 / 21.3	70 / 21.3	70 / 21.3	70 / 21.3	70 / 21.3	70 / 21.3	
UNIT SIZE (BTUH)		ALTITUDE	Termination Type	Pipe Dia (IN.)*	NUMBER OF 90° ELBOWS					
60,000	2001 to 3000	2 Pipe or 2-In. Concentric	1-1/2	45 / 13.7	40 / 12.9	35 / 10.7	30 / 9.14	25 / 7.6	20 / 6.1	
			2	70 / 21.3	70 / 21.3	70 / 21.3	70 / 21.3	70 / 21.3	70 / 21.3	
80,000		2 Pipe or 2-In. Concentric	1-1/2	26 / 7.9	21 / 6.4	16 / 4.9	11 / 3.4	6 / 1.8	NA	
			2	70 / 21.3	70 / 21.3	70 / 21.3	70 / 21.3	70 / 21.3	70 / 21.3	
100,000		2 Pipe or 2-In. Concentric	2	40 / 12.2	35 / 10.7	30 / 9.1	25 / 7.6	20 / 6.1	15 / 4.6	
			2-1/2	70 / 21.3	70 / 21.3	70 / 21.3	70 / 21.3	70 / 21.3	70 / 21.3	
120,000		2 Pipe or 3-In. Concentric	3 one disk	31 / 9.4	26 / 7.9	12 / 3.7	NA	NA	NA	
			3 one disk†	63 / 19.2	62 / 18.9	62 / 18.9	61 / 18.6	61 / 18.6	61 / 18.6	
UNIT SIZE (BTUH)		ALTITUDE	Termination Type	Pipe Dia (IN.)*	NUMBER OF 90° ELBOWS					
60,000		3001 to 4000	2 Pipe or 2-In. Concentric	1-1/2	42 / 12.8	37 / 11.2	32 / 9.8	27 / 8.2	22 / 6.7	17 / 5.2
	2			70 / 21.3	70 / 21.3	70 / 21.3	70 / 21.3	70 / 21.3	70 / 21.3	
80,000	2 Pipe or 2-In. Concentric		1-1/2	25 / 7.6	20 / 6.1	15 / 4.6	10 / 3.0	5 / 1.5	NA	
			2	70 / 21.3	70 / 21.3	70 / 21.3	70 / 21.3	70 / 21.3	70 / 21.3	
100,000	2 Pipe or 2-In. Concentric		2	38 / 11.6	33 / 10.1	28 / 8.5	23 / 7.0	18 / 5.5	13 / 4.0	
			2-1/2	70 / 21.3	70 / 21.3	70 / 21.3	70 / 21.3	70 / 21.3	70 / 21.3	
120,000	2 Pipe or 3-In. Concentric		3 one disk	29 / 8.8	24 / 7.3	10 / 3.0	NA	NA	NA	
			3 one disk†	59 / 18.0	59 / 18.0	58 / 17.8	57 / 17.4	57 / 17.4	56 / 17.0	
UNIT SIZE (BTUH)	ALTITUDE		Termination Type	Pipe Dia (IN.)*	NUMBER OF 90° ELBOWS					
60,000	4001 to 5000†		2 Pipe or 2-In. Concentric	1-1/2	40 / 12.2	35 / 10.7	30 / 9.1	25 / 7.6	20 / 6.1	15 / 9.6
		2		70 / 21.3	70 / 21.3	70 / 21.3	70 / 21.3	70 / 21.3	70 / 21.3	
80,000		2 Pipe or 2-In. Concentric	1-1/2	23 / 7.0	18 / 5.5	13 / 4.0	8 / 2.4	NA	NA	
			2	70 / 21.3	70 / 21.3	70 / 21.3	70 / 21.3	70 / 21.3	68 / 20.7	
100,000		2 Pipe or 2-In. Concentric	2	36 / 11.0	31 / 9.4	26 / 7.9	21 / 6.4	16 / 4.8	11 / 3.4	
			2-1/2	70 / 21.3	70 / 21.3	70 / 21.3	70 / 21.3	70 / 21.3	70 / 21.3	
120,000		2 Pipe or 3-In. Concentric	3 one disk†	56 / 17.1	55 / 16.8	54 / 16.5	53 / 6.2	52 / 15.8	52 / 15.8	
UNIT SIZE (BTUH)		ALTITUDE	Termination Type	Pipe Dia (IN.)*	NUMBER OF 90° ELBOWS					
60,000		5001 to 6000†	2 Pipe or 2-In. Concentric	1-1/2	37 / 11.3	32 / 9.8	27 / 8.2	22 / 6.7	17 / 5.2	12 / 3.7
	2			70 / 21.3	70 / 21.3	70 / 21.3	70 / 21.3	70 / 21.3	70 / 21.3	
80,000	2 Pipe or 2-In. Concentric		1-1/2	22 / 6.7	17 / 5.2	12 / 3.7	7 / 2.1	NA	NA	
			2	70 / 21.3	70 / 21.3	70 / 21.3	70 / 21.3	68 / 20.7	63 / 19.2	
100,000	2 Pipe or 2-In. Concentric		2	33 / 10	28 / 8.5	23 / 7.0	18 / 5.5	13 / 4.0	8 / 2.4	
			2-1/2	70 / 21.3	70 / 21.3	70 / 21.3	70 / 21.3	70 / 21.3	70 / 21.3	
120,000	2 Pipe or 3-In. Concentric		3 one disk†	53 / 16.2	52 / 15.8	50 / 15.2	49 / 14.9	48 / 14.6	47 / 14.3	

*See notes on next page.

MAXIMUM ALLOWABLE PIPE LENGTH (FT / M) (CONTINUED)

ALTITUDE	UNIT SIZE (BTUH)	Direct Vent (2-Pipe Only)		NUMBER OF 90° ELBOWS					
		Termination Type	Pipe Dia (IN.)*	1	2	3	4	5	6
6001 to 7000‡	60,000	2 Pipe or 2-In. Concentric	1-1/2	35 / 10.7	30 / 9.1	25 / 7.6	20 / 6.1	15 / 4.6	10 / 3.0
			2	70 / 21.3	70 / 21.3	68 / 20.7	67 / 20.4	66 / 20.11	64 / 19.5
	80,000	2 Pipe or 2-In. Concentric	1-1/2	20 / 6.1	15 / 4.6	10 / 3.0	5 / 1.5	NA	NA
			2	70 / 21.3	70 / 21.3	68 / 20.7	67 / 20.4	62 / 18.9	57 / 17.4
	100,000	2 Pipe or 2-In. Concentric	2	31 / 9.4	26 / 7.9	21 / 6.4	16 / 4.9	11 / 3.4	6 / 1.8
			2-1/2	70 / 21.3	70 / 21.3	68 / 20.7	67 / 20.4	66 / 20.1	64 / 19.5
120,000	2 Pipe or 3-In. Concentric	3 one disk†	49 / 14.9	48 / 14.6	47 / 14.3	45 / 13.7	44 / 13.4	43 / 13.1	
ALTITUDE	UNIT SIZE (BTUH)	Termination Type	Pipe Dia (IN.)*	NUMBER OF 90° ELBOWS					
7001 to 8000‡	60,000	2 Pipe or 2-In. Concentric	1-1/2	32 / 9.8	27 / 8.2	22 / 6.7	17 / 5.2	12 / 3.7	7 / 2.1
			2	66 / 20.1	65 / 19.8	63 / 19.2	62 / 18.9	60 / 18.3	59 / 18.0
	80,000	2 Pipe or 2-In. Concentric	1-1/2	18 / 5.5	13 / 4.0	8 / 2.4	NA	NA	NA
			2	66 / 20.1	65 / 19.8	63 / 19.2	62 / 18.9	57 / 17.4	52 / 15.8
	100,000	2 Pipe or 2-In. Concentric	2	29 / 8.8	24 / 7.3	19 / 5.8	14 / 4.3	9 / 2.7	NA
			2-1/2	66 / 20.1	65 / 19.8	63 / 19.2	62 / 18.9	60 / 18.3	59 / 18
120,000	2 Pipe or 3-In. Concentric	3 one disk†	46 / 14.0	44 / 13.4	43 / 13.1	41 / 12.5	40 / 12.2	38 / 11.6	
ALTITUDE	UNIT SIZE (BTUH)	Termination Type	Pipe Dia (IN.)*	NUMBER OF 90° ELBOWS					
8001 to 9000‡	60,000	2 Pipe or 2-In. Concentric	1-1/2	30 / 9.1	25 / 7.6	20 / 6.1	15 / 4.6	10 / 3.0	5 / 1.5
			2	62 / 18.9	60 / 17.8	58 / 17.7	56 / 17.1	55 / 16.8	53 / 16.2
	80,000	2 Pipe or 2-In. Concentric	1-1/2	17 / 5.2	12 / 3.1	7 / 2.1	NA	NA	NA
			2	62 / 18.9	60 / 18.3	58 / 17.7	56 / 17.1	51 / 15.5	46 / 14.0
	100,000	2 Pipe or 2-In. Concentric	2	27 / 8.2	22 / 6.7	17 / 5.2	12 / 3.7	7 / 2.1	NA
			2-1/2	62 / 18.9	60 / 18.3	58 / 17.7	56 / 17.1	55 / 16.8	53 / 16.2
120,000	2 Pipe or 3-In. Concentric	3 one disk†	43 / 13.1	41 / 12.5	39 / 11.9	37 / 11.3	35 / 10.7	34 / 10.4	
ALTITUDE	UNIT SIZE (BTUH)	Termination Type	Pipe Dia (IN.)*	NUMBER OF 90° ELBOWS					
9001 to 10000‡	60,000	2 Pipe or 2-In. Concentric	1-1/2	27 / 8.2	22 / 6.7	17 / 5.2	12 / 3.7	7 / 2.1	NA
			2	57 / 17.4	55 / 16.8	53 / 16.2	51 / 15.5	49 / 14.9	47 / 14.3
	80,000	2 Pipe or 2-In. Concentric	1-1/2	15 / 4.6	10 / 3.0	5 / 1.5	NA	NA	NA
			2	57 / 17.4	55 / 16.8	53 / 16.2	51 / 15.5	46 / 14.0	41 / 12.5
	100,000	2 Pipe or 2-In. Concentric	2	24 / 7.3	19 / 5.8	14 / 4.3	9 / 2.7	NA	NA
			2-1/2	57 / 17.4	55 / 16.8	53 / 16.2	51 / 15.5	49 / 14.9	47 / 14.3
120,000	2 Pipe or 3-In. Concentric	3 one disk†	39 / 11.9	37 / 11.3	35 / 10.7	33 / 10.1	31 / 9.5	29 / 8.8	

* Disk usage—Unless otherwise stated, use perforated disk assembly (factory—supplied in loose parts bag).

† Wide radius elbow.

‡ Vent sizing for Canadian installations over 4500 ft (1370m) above sea level are subject to acceptance by the local authorities having jurisdiction.

NA—Not Allowed; pressure switch will not make contact.

NOTES:

1. Do not use pipe size greater than those specified in table or incomplete combustion, flame disturbance, or flame sense lockout may occur.
2. Size both the combustion—air and vent pipe independently, determine the smallest diameter allowed by the table for each pipe, then use the larger diameter for both pipes.
3. Assume two 45° elbows equal one 90° elbow. Long radius elbows are desirable and may be required in some cases.
4. Elbows and pipe sections within the furnace casing and at the vent termination should not be included in vent length or elbow count.
5. The minimum pipe length is 5 ft for all applications.

58UVB

MAXIMUM ALLOWABLE EXPOSED VENT PIPE LENGTH - FT (M) WITH INSULATION IN WINTER DESIGN TEMPERATURE AMBIENT*

UNIT SIZE	WINTER DESIGN TEMPERATURE	MAXIMUM PIPE DIAMETER IN. (MM)	INSULATION THICKNESS†				
			0	3/8	1/2	3/4	1
060-14	20°F / -6.7°C	2 (51)	30 (9.1)	55 (16.8)	61 (18.6)	70 (21.3)	70 (21.3)
	0°F / -17.8°C	2 (51)	16 (4.9)	33 (10.1)	38 (11.6)	46 (14.0)	53 (16.2)
	-20°F / -28.9°C	2 (51)	9 (2.7)	23 (7.0)	26 (7.9)	33 (10.1)	38 (11.6)
080-14 080-20	20°F / -6.7°C	2 (51)	37 (11.2)	65 (19.8)	70 (21.4)	70 (21.3)	70 (21.3)
	0°F / -17.8°C	2 (51)	20 (6.1)	39 (11.9)	45 (13.7)	55 (16.8)	63 (19.2)
	-20°F / -28.9°C	2 (51)	11 (3.4)	27 (8.3)	31 (9.4)	39 (11.9)	45 (13.7)
100-20	20°F / -6.7°C	2-1/2 (64)	41 (12.5)	70 (21.3)	70 (21.3)	70 (21.3)	70 (21.3)
	0°F / -17.8°C	2-1/2 (64)	21 (6.4)	42 (12.8)	48 (14.6)	59 (18.0)	68 (20.7)
	-20°F / -28.9°C	2-1/2 (64)	11 (3.4)	28 (8.5)	33 (10.1)	41 (12.5)	49 (14.9)
120-20	20°F / -6.7°C	3 (76)	49 (14.9)	70 (21.3)	70 (21.3)	70 (21.3)	70 (21.3)
	0°F / -17.8°C	3 (76)	26 (7.9)	51 (15.5)	58 (17.7)	70 (21.3)	70 (21.3)
	-20°F / -28.9°C	3 (76)	15 (4.6)	35 (10.7)	40 (12.2)	50 (15.2)	59 (18.0)

* Pipe length (ft/m) specified for maximum pipe lengths located in unconditioned spaces. Pipes located in unconditioned space cannot exceed total allowable pipe length as specified in Table.

† Insulation thickness based on R value of 3.5 per in.

58UVB

CLEARANCE TO COMBUSTIBLES

INSTALLATION

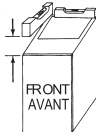
- This forced air furnace is equipped for use with natural gas at altitudes 0 - 10,000 ft (0 - 3,050m), except 140 size furnaces are only approved for altitudes 0 - 7,000 ft. (0 - 2,135m).
- An accessory kit, supplied by the manufacturer, shall be used to convert to propane gas use or may be required for some natural gas applications.
- This furnace is for indoor installation in a building constructed on site. This furnace may be installed in a manufactured (mobile) home when stated on rating plate and using factory authorized kit..
- This furnace may be installed on combustible flooring in alcove or closet at **Minimum Inches Clearance To Combustible Construction** as described below.
- This furnace requires a special venting system. Refer to the installation instructions for parts list and method of installation. This furnace is for use with schedule-40 PVC, PVC-DWV, CPVC, or ABS-DWV pipe, and must not be vented in common with other gas-fired appliances. Construction through which vent/air intake pipes may be installed is maximum 24 inches (610 mm), minimum 3/4 inches (19 mm) thickness (including roofing materials).
- Cette fournaise à air pulsé est équipée pour utilisation avec gaz naturel et altitudes comprises entre 0 - 3,050m (0 - 10,000 pi), excepté quelques fournaises de 140 taille sont pour altitudes comprises entre 0 - 2,135m (0 - 7,000pi).
- Utiliser une trousse de conversion, fournie par le fabricant, pour passer au gaz propane ou pour certaines installations au gaz naturel.
- Cette fournaise à air pulsé est pour installation à l'intérieur dans un bâtiment construit sur place. Cette fournaise à air pulse peut être installée dans une maison préfabriquée (maison mobile) si prescrit par la plaque signalétique et s'il on utilise une trousse spécifiée par le fabricant.
- Cette fournaise peut être installée sur un plancher combustible dans un enfoncement ou un placard en observant les **Dégagement Minimum En Pouces Avec Éléments De Construction Combustibles**.
- Cette fournaise nécessite un système d'évacuation spécial. La méthode d'installation et la liste des pièces nécessaires figurent dans les instructions d'installation. Cette fournaise doit s'utiliser avec la tuyauterie des nomenclatures 40 PVC, PVC-DWV, CPVC, ou ABS-DWV et elle ne peut pas être ventilée conjointement avec d'autres appareils à gaz. Épaisseur de la construction au travers de laquelle il est possible de faire passer les tuyaux d'aération (admission/évacuation): 24 po (610 mm) maximum, 3/4 po (19mm) minimum (y compris la toiture).

Furnace must be installed level, or pitched within 1/2" of level.

La fournaise doit être installée de niveau ou inclinée à pas plus de 1/2" du niveau.

LEVEL (0") TO
1/2" MAX
NIVEAU (0") À
1/2" MAX

UPFLOW
ASCENDANT



MINIMUM INCHES CLEARANCE TO COMBUSTIBLE CONSTRUCTION

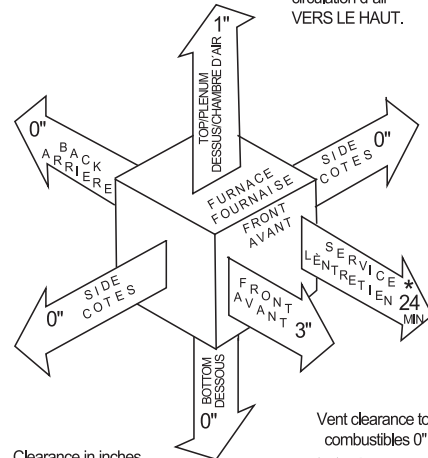
* Minimum front clearance for service 24 inches (610mm).

DÉGAGEMENT MINIMUM EN POUCES AVEC ÉLÉMENTS DE CONSTRUCTION COMBUSTIBLES

* Dégagement avant minimum de 24 po (610mm) pour l'entretien.

This furnace is approved for UPFLOW installations only.

Cette fournaise est approuvée pour l'installation et la circulation d'air VERS LE HAUT.

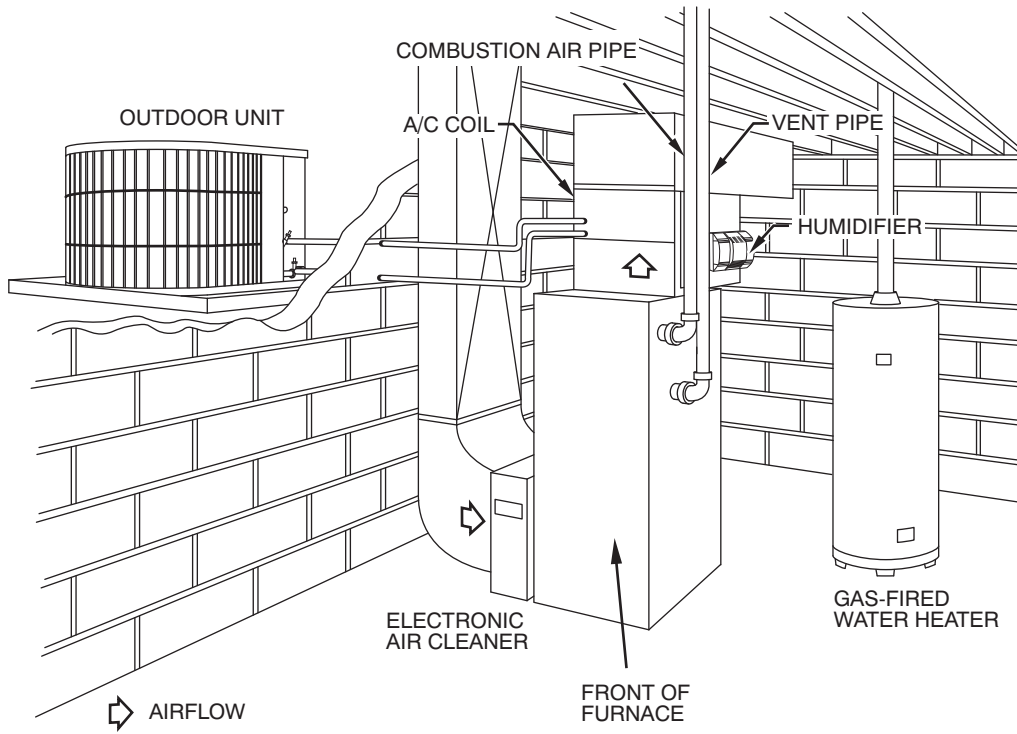


Clearance in inches
Dégagement (po).

Vent clearance to combustibles 0\"/>

332713 -201 REV. B (LIT.TOP)

TYPICAL INSTALLATIONS



58UVB

A06511

GENERAL

System Description

Furnish a _____ (upflow) gas-fired condensing furnace for use with natural gas or propane (factory-authorized conversion kit required for propane); furnish cold air return plenum; furnish external media cabinet for use with accessory media filter or standard filter.

Quality Assurance

Unit will be designed, tested and constructed to the current ANSI Z 21.47/CSA 2.3 design standard for gas-fired central furnaces.

Unit will be third party certified by CSA to the current ANSI Z 21.47/CSA 2.3 design standard for gas-fired central furnaces.

Unit will carry the CSA Blue Star® and Blue Flame® labels. Unit efficiency testing will be performed per the current DOE test procedure as listed in the Federal Register.

Unit will be certified for capacity and efficiency and listed in the latest AHRI Consumer’s Directory of Certified Efficiency Ratings.

Unit will carry the current Federal Trade Commission Energy Guide efficiency label.

Delivery, Storage, and Handling

Unit will be shipped as single package only and is stored and handled per unit manufacturer’s recommendations.

Warranty (for inclusion by specifying engineer)

U.S. and Canada only. Warranty certificate available upon request.

Equipment

Blower Wheel and ECM Blower Motor

Galvanized blower wheel shall be centrifugal type, statically and dynamically balanced. Blower motor of ECM type shall be permanently lubricated with sealed ball bearings, of _____ hp, and have infinitely variable speed from 300-1300 RPM operating only when 24-VAC motor inputs are provided. Blower motor shall be direct drive and soft mounted to the blower scroll to reduce vibration transmission.

Filters

Furnace shall have reusable-type filters. Filter shall be _____ in. (X) _____ in. An accessory highly efficient Media Filter is available as an option. _____ Media Filter.

Casing

Casing shall be of .030 in. thickness minimum, pre-painted galvanized steel.

ECM Inducer Motor

ECM Inducer motor shall be variable speed design, soft mounted to assembly to reduce vibration transmission.

Primary Heat Exchangers

Primary heat exchangers shall be 3-Pass 20 gauge corrosion-resistant aluminized steel of fold-and-crimp sectional design and applied operating under negative pressure.

Secondary Heat Exchangers

Secondary heat exchangers shall be of a flow-through design having a patented interior laminate coating of polypropylene for greater corrosion resistance with fold-and-crimp design and applied operating under negative pressure.

Controls

Controls shall include a micro-processor-based integrated electronic control board with at least 16 service troubleshooting codes displayed via diagnostic flashing LED light on the control, a self-test feature that checks all major functions of the furnace, and a replaceable automotive-type circuit protection fuse. Multiple operational settings available, including separate blower speeds for low heat, high heat, low cooling, high cooling and continuous fan. Continuous fan speed may be adjusted from the thermostat. Cooling airflow will be selectable between 350 or 400 CFM per ton of air conditioning. Features will also include temporary reduced airflow in the cooling mode for improved dehumidification when a Thermidistat is selected as the thermostat.

Operating Characteristics

Heating capacity shall be _____ Btuh input; _____ Btuh output capacity.

Fuel Gas Efficiency shall be 95% AFUE.

Air delivery shall be _____ cfm minimum at 0.50 in. wc. external static pressure.

Dimensions shall be: depth _____ in.; width _____ in.; height _____ in. (casing only). Height shall be _____ in. with A/C coil and _____ in. overall with plenum.

Electrical Requirements

Electrical supply shall be 115 volts, 60 Hz, single-phase (nominal). Minimum wire size shall be _____ AWG; maximum fuse size of HACR-type designated circuit breaker shall be _____ amps.

Special Features

Refer to section of the product data identifying accessories and descriptions for specific features and available enhancements.

58UVB