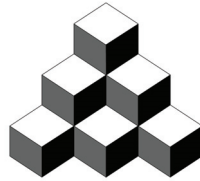




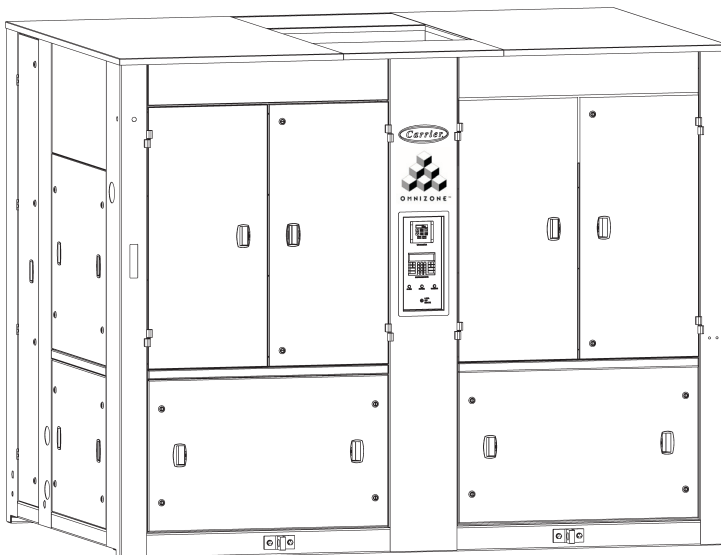
Product Data

OMNIZONE™ 50XJ064-104 Water-Cooled Indoor Self-Contained Systems

60 to 100 Nominal Tons



OMNIZONE™



Carrier's 50XJ OMNIZONE™ units are self-contained, water-cooled indoor vertical packaged cooling units for variable air volume (VAV) applications. Units are completely factory wired, piped and charged, ready for installation. 50XJ units have vertical air discharge or horizontal with optional acoustical plenum and open or ducted rear air return. Units include a direct expansion evaporator coil, compressors, water-cooled cleanable condensers, and a single belt drive evaporator fan with VFD (Variable Frequency Drive) controlled motor and complete microprocessor control system. An optional water economizer and hot water or steam heating may also be added. These fully painted, vertical package units offer flexible economical air conditioning for today's office environment.

Features/Benefits

- Heavy gage structural frame with base rail and lifting lugs.
- Four independent circuits with scroll compressor on vibration mounts in acoustically lined compressor compartment.
- Multiple compressor selections for each fan size to allow matching load while maintaining optimum part load performance.
- Each compressor is equipped with a mechanically cleanable shell and tube condenser rated for 150 psi water side working pressure.
- Evaporator coils are 6-row 12-fin per inch aluminum plate fins mechanically bonded to copper tubes. Coils are fully intertwined full face active for best humidity control.
- One double inlet forward curve fan, statically and dynamically balanced,



- mounted on a fully spring isolated mounting frame with 2-in. deflection spring isolators and flexible fan discharge collar.
- Bearings are L-50 life at 200,000 hours with grease connection.
- Three-phase evaporator-fan motor compatible with use on variable frequency drive with thermal overload protection.
- Factory-mounted Variable Frequency Drive sized to handle full motor operating current at full load operation. Provided with duct static pressure sensor.
- Full double wall construction in the evaporator section.
- Microprocessor control system with unit-mounted display to control unit as stand alone, CCN (Carrier Comfort Network) or network operation.
- Unit control panel with local/off/remote switch, alarm indicator lights, VFD display and unit interface panel.
- Baked enamel painted cabinet will meet 500 hr salt spray requirements.
- High and low pressure switches and frost protection on each circuit.
- Filter drier, moisture indicator/sight glass and adjustable thermostatic expansion valves (TXV) on each circuit mounted outside the airstream.
- Stainless steel sloped condensate pan with internal trap.
- Single point electrical connections and piping connections.
- Filter frame for 2-in. or 4-in. disposable type filters.
- High discharge static pressure control standard.
- Dirty filter switch provided as standard.
- All units are ETL, UL and UL, Canada listed and rated in accordance with ARI 340/360.
- Standard one-year product warranty.

Table of contents

	Page
Features/Benefits	1, 2
Model Number Nomenclature	3
ARI Capacity Ratings	4
Physical Data	5-8
Options and Accessories	9
Base Unit Dimensions	10-12
Accessory Dimensions	13
Selection Procedure	14
Performance Data	14-69
Electrical Data	70-72
Typical Wiring Schematics	73-77
Controls	78-80
Guide Specifications	81-85

Model number nomenclature



Model Series
50XJ – OMNIZONE™
 Single-Package
 Water-Cooled Unit

Compressor Options
 Quantity and nominal capacity of compressors depends on nominal unit size (see table below)

Nominal Unit Size
064 – 60 Tons
074 – 70 Tons
084 – 80 Tons
084 – 90 Tons
104 – 100 Tons

Economizer Option
 – – None
A – 2-Position Isolation Valves (No Economizer)
B – Water Regulating Valve (No Economizer)
C – Water Regulating Valve with Bypass (No Economizer)
D – 4-Row Cleanable Econo. - Constant Flow
E – 4-Row Cleanable Econo. - Variable Flow
G – 4-Row Economizer - Constant Flow
H – 4-Row Economizer - Variable Flow

Motor Option

HP	ODP HIGH	ODP PREM*	TEFC
7-1/2	B	M	1
10	C	N	2
15	D	P	3
20	E	Q	4
25	F	R	5
30	G	S	6
40	H	T	7
50	H	U	8
064	Valid Range is 7.5 to 40 hp		
074,084	Valid Range is 10 to 40 hp		
094,104	Valid Range is 15 to 50 hp		

For Factory-Installed Options Code*

Packaging
 1 – Domestic
 2 – Domestic with Bag

Design Changes
 0 – Original
 X – Quote Control

Voltage Description
 1 – 575-3-60
 5 – 208/230-3-60 (not available on sizes 094, 104)
 6 – 460-3-60

VFD and Control Options
A – Oversized VFD
B – Oversized VFD with Bypass
C – Disconnect Only
D† – Phase Protection Only
E† – Disconnect & Phase Protection Only
F – Oversized VFD with Disconnect
G† – Oversized VFD with Phase Protection
H† – Oversized VFD with Disc. and Phase
J – Oversized VFD with Bypass and Disc.
K† – Oversized VFD with Bypass and Phase
L† – Over VFD with Bypass Disc. and Phase
M – Equal Sized VFD (Standard)
N – Equal Sized VFD and Bypass
P – Equal Sized VFD with Disconnect
Q† – Equal Sized VFD with Phase Protection
R† – Equal Sized VFD and Disconnect, Phase
S – Equal Sized VFD with Bypass, Disconnect
T – Equal Sized VFD with Bypass, Phase
U* – Equal with Bypass, Disconnect, Phase

LEGEND
ODP – Open Drip Proof
TEFC – Totally Enclosed Fan Cooled
VFD – Variable Frequency Drive

*Refer to 50XJ price pages or contact your local Carrier representative for a list of factory-installed options.
 †Not available for 575 v.

COMPRESSOR OPTIONS

UNIT SIZE 50XJ	COMPRESSOR OPTION	COMPRESSORS (Quantity - Type)
064	C	(4) - 10T
	E	(2) - 10T/(2) - 13T
	F	(4) - 13T
074	B	(2) - 10T/(2) - 13T
	C	(4) - 13T
	D	(2) - 13T/(2) - 15T
	E	(4) - 15T
084	A	(4) - 13T
	B	(2) - 13T/(2) - 15T
	C	(4) - 15T
	D	(2) - 13T/(2) - 20T
	E	(2) - 15T/(2) - 20T
	F	(2) - 13T/(2) - 25T
094	A	(4) - 15T
	B	(2) - 13T/(2) - 20T
	C	(2) - 15T/(2) - 20T
	D	(2) - 13T/(2) - 25T
	F	(2) - 15T/(2) - 25T
104	A	(2) - 15T/(2) - 20T
	B	(2) - 13T/(2) - 25T
	D	(2) - 15T/(2) - 25T
	E	(2) - 20T/(2) - 25T
	F	(4) - 25T

ARI* capacity ratings



50XJ UNIT	NOMINAL TONS	STD CFM	NET COOLING CAPACITY	EER	IPLV
C064	50	15,240	555,000	13.8	12.9
E064	50	15,240	600,000	13.7	13
F064	65	15,240	640,000	13.6	13.1
B074	60	15,240	600,000	13.7	13
C074	65	15,240	640,000	13.6	13.1
D074	70	15,240	690,000	13.1	13
E074	75	15,240	740,000	12.7	12.8
A084	65	19,320	675,000	13.1	11.8
B084	70	19,320	735,000	12.9	11.7
C084	75	19,320	785,000	12.6	11.8
D084	80	19,320	820,000	12.9	11.9
E084	85	19,320	865,000	12.6	11.9
F084	90	19,320	885,000	12.3	11.7
A094	75	20,400	805,000	13.3	12.7
B094	80	20,400	840,000	13.5	12.8
C094	85	20,400	890,000	13.2	12.8
D094	90	20,400	910,000	13	12.6
F094	100	20,400	955,000	12.7	12.6
A104	85	22,280	910,000	13.2	12.4
B104	90	22,280	930,000	13	12.2
D104	100	22,280	980,000	12.7	12.2
E104	100	22,280	1,055,000	12.5	12.4

LEGEND

EER — Energy Efficiency Ratio
IPLV — Integrated Part Load Value

*Air Conditioning and Refrigeration Institute.

NOTE: Unit rated in accordance with ARI 340/360.

Physical data



UNIT 50XJ	064			074					084									
COMPRESSOR OPTION	C	E	F	B	C	D	E	A	B	C	D	E	F					
NOMINAL UNIT CFM	18,000			20,000					24,000									
CABINET	10-0 ⁵ / ₈			10-0 ⁵ / ₈					10-0 ⁵ / ₈									
Length (ft-in.)	7-1 ³ / ₄			7-1 ³ / ₄					7-1 ³ / ₄									
Width (ft-in.)	8-0			8-0					8-0									
Height (ft-in.)																		
OPERATING WEIGHT (lb)	See Operating Weights section																	
OPERATING CHARGE PER CIRCUIT (lb)	25			25					27									
COMPRESSORS	Copeland Scroll																	
Circuit No. 1 & 4 Size (tons)	10	10	13	10	13	13	15	13	13	15	13	15	13					
Circuit No. 2 & 3 Size (tons)	10	13	13	13	13	13	15	15	15	15	20	20	25					
Circuit No. 1 & 4 Oil Charge (oz)	140	140	140	140	140	140	140	140	140	140	140	140	140					
Circuit No. 2 & 3 Oil Charge (oz)	140	140	140	140	140	140	140	140	140	140	158	158	200					
Number of Capacity Steps	4	4	4	4	4	4	4	4	4	4	4	4	4					
Number of Circuits	4	4	4	4	4	4	4	4	4	4	4	4	4					
CONDENSER	Shell and Tube Type with Removable Heads																	
Quantity	4	4	4	4	4	4	4	4	4	4	4	4	4					
Nominal Gpm	150	173	195	173	195	210	225	195	210	225	248	263	285					
Gpm Range	100-175	115-201	130-228	115-201	130-228	140-245	150-263	130-228	140-245	150-263	165-289	175-306	190-333					
Max. Waterside Pressure Std.	150	150	150	150	150	150	150	150	150	150	150	150	150					
Max. Waterside Pressure Option	400	400	400	400	400	400	400	400	400	400	400	400	400					
Minimum Entering Water without Head Pressure Control (F)	55	55	55	55	55	55	55	55	55	55	55	55	55					
Minimum Entering Water with Head Pressure Control (F)	35	35	35	35	35	35	35	35	35	35	35	35	35					
Maximum Entering Water Temperature (F)	115	115	115	115	115	115	115	115	115	115	115	115	115					
Water Volume (gal) Total	18	18	18	18	18	18	18	18	18	18	20.1	20.1	20.1					
INDOOR DX COIL	1/2-in. OD, Copper Tube, Aluminum Fin						1/2-in. OD, Copper Tube, Aluminum Fin											
Face Area (sq ft)	38.1						48.3											
Number of Rows — Fins/in.	6-12						6-12											
WATERSIDE ECONOMIZER COIL	5/8-in. OD, Copper Tube, Aluminum Fin																	
Face Area (sq ft)	47.8																	
Number of Rows — Fins/in.	4-10																	
Water Volume (gal)	29.4																	
HOT WATER HEATING COIL	5/8-in. OD, Copper Tube, Aluminum Fin																	
Face Area (sq ft)	44.2																	
Number of Rows — Fins/in.	2-10																	
Water Volume (gal)	12.8																	
STEAM HEATING COIL	1-in. OD, Copper Tube, Aluminum Fin																	
Face Area (sq-ft)	46.4																	
Number of Rows — Fins/in.	1-8																	
INDOOR FAN	Spring Isolated, Forward Curve				Spring Isolated, Forward Curve				Spring Isolated, Forward Curve									
Nominal Cfm	19,000				19,000				24,000									
Quantity	1				1				1									
Size (in.)	25 x 20				25 x 20				25 x 20									
Minimum Hp	7 ¹ / ₂				10				10									
Maximum Hp	30				40				40									
Minimum Design Cfm	15,240				15,240				19,320									
Maximum Design Cfm	22,860				22,860				28,980									
Maximum Allowable Rpm	1032				1032				1,032									
Fan Shaft Diameter (in.)	2 ⁷ / ₁₆				2 ⁷ / ₁₆				2 ⁷ / ₁₆									
INDOOR FAN MOTOR OPTIONS																		
HP	7 ¹ / ₂	10	15	20	25	30	10	15	20	25	30	40	10	15	20	25	30	40
Frame Size	213T	215T	254T	256T	284T	286T	215T	254T	256T	284T	286T	324T	215T	254T	256T	284T	286T	324T
Motor Efficiency % High	89.5	89.5	91	91	91.7	93	89.5	91	91	91.7	93	93	89.5	91	91	91.7	93	93
Motor Efficiency % Premium	91.7	91.7	93	93.6	93.6	93.6	91.7	93	93.6	93.6	93.6	94.5	91.7	93	93.6	93.6	93.6	94.5
Motor Efficiency % TEFC	89.5	89.5	91	91	92.4	92.4	89.5	91	91	92.4	92.4	93	89.5	91	91	92.4	92.4	93
Fan Rpm	507	605	746	859	887	915	605	746	859	887	915	920	605	746	859	998	915	920
Fan Pulley Diameter (in.)	12.5																	
Motor Shaft Diameter (in.)	1 ³ / ₈	1 ³ / ₈	1 ⁵ / ₈	1 ⁵ / ₈	1 ⁷ / ₈	1 ⁷ / ₈	1 ³ / ₈	1 ⁵ / ₈	1 ⁵ / ₈	1 ⁷ / ₈	1 ⁷ / ₈	2 ¹ / ₈	1 ³ / ₈	1 ⁵ / ₈	1 ⁵ / ₈	1 ⁷ / ₈	1 ⁷ / ₈	2 ¹ / ₈
Number of 5V Belts	2	2	2	3	3	3	2	2	2	3	3	3	2	2	2	3	3	3
Motor Pulley Diameter (in.)	3.6	4.3	5.3	6.1	6.3	6.5	4.3	5.3	6.1	6.3	6.5	8.1	4.3	5.3	6.1	6.3	6.5	8.1
Center Distance (in.)	21 ⁷ / ₈	21 ⁷ / ₈	21 ¹ / ₈	21 ¹ / ₈	20 ⁹ / ₈	20 ⁹ / ₈	21 ⁷ / ₈	21 ¹ / ₈	21 ¹ / ₈	20 ⁹ / ₈	20 ⁹ / ₈	19 ⁷ / ₈	21 ⁷ / ₈	21 ¹ / ₈	21 ¹ / ₈	20 ⁹ / ₈	20 ⁹ / ₈	19 ⁷ / ₈
RETURN AIR FILTERS TYPE	4-in. 30% Disposable (MERV6)																	
Filter Face Area (sq ft)	58.3																	
Size (in.) — Quantity	20 X 20-6 20 x 25-12																	
Options	2-in. 30%, 4-in. 65%, 4-in. 85%																	
CONNECTIONS																		
Water Inlet (in.), Type	3 ¹ / ₈ Sweat																	
Water Outlet (in.), Type	3 ¹ / ₈ Sweat																	
Condensate Drain (in.), Type	1 MPT																	
CONTROLS	Stand-Alone Microprocessor Carrier CCN Standard																	
Network Interface	400																	
Condenser Relief Valve (psig)	2-4.5																	
Duct High Static (in. wg)	1																	
Filter Maintenance (in. wg)	0.5-5																	
Evaporator Frost Protection (F)	30																	
High Pressure Switch (psig)	360																	
Low Pressure Switch (psig)	27																	
Safety Lockout Protection	Cycle-LOC™ ea. Compressor																	

LEGEND

- CCN — Carrier Comfort Network
- DX — Direct Expansion
- TEFC — Totally Enclosed Fan Cooled

Physical data (cont)



UNIT 50XJ	094					104						
COMPRESSOR OPTION	A	B	C	D	F	A	B	D	E	F		
NOMINAL UNIT CFM	26,000					28,000						
CABINET												
Length (ft-in.)						10-0 ⁵ / ₈						
Width (ft-in.)						7-1 ³ / ₄						
Height (ft-in.)						8-0						
OPERATING WEIGHT (lb)	See Operating Weights section											
OPERATING CHARGE PER CIRCUIT (lb)	28					29						
COMPRESSORS	Copeland Scroll											
Circuit No. 1 & 4 Size (tons)	15	13	15	13	15	15	13	15	20	25		
Circuit No. 2 & 3 Size (tons)	15	20	20	25	25	20	25	25	25	25		
Circuit No. 1 & 4 Oil Charge (oz)	140	140	140	140	140	140	140	140	158	158		
Circuit No. 2 & 3 Oil Charge (oz)	140	158	158	200	200	158	200	200	200	200		
Number of Capacity Steps	4	4	4	4	4	4	4	4	4	4		
Number of Circuits	4	4	4	4	4	4	4	4	4	4		
CONDENSER	Shell and Tube Type with Removable Heads											
Quantity	4	4	4	4	4	4	4	4	4	4		
Nominal Gpm	225	248	263	285	300	263	285	300	338	338		
Gpm Range	150-263	165-289	175-306	190-333	200-350	175-306	190-333	200-350	225-394	225-394		
Max. Waterside Pressure Std.	150	150	150	150	150	150	150	150	150	150		
Max. Waterside Pressure Option	400	400	400	400	400	400	400	400	400	400		
Minimum Entering Water without Head Pressure Control (F)	55	55	55	55	55	55	55	55	55	55		
Minimum Entering Water with Head Pressure Control (F)	35	35	35	35	35	35	35	35	35	35		
Maximum Entering Water Temperature (F)	115	115	115	115	115	115	115	115	115	115		
Water Volume (gal) Total	18	20.1	20.1	20.1	20.1	20.1	20.1	20.1	22.2	22.2		
INDOOR DX COIL	1/2-in. OD, Copper Tube, Aluminum Fin											
Face Area (sq ft)	51					55.8						
Number of Rows — Fins/in.	6-12					6-12						
WATERSIDE ECONOMIZER COIL	5/8-in. OD, Copper Tube, Aluminum Fin											
Face Area (sq ft)						55.8						
Number of Rows — Fins/in.						4-10						
Water Volume (gal)						33						
HOT WATER HEATING COIL	5/8-in. OD, Copper Tube, Aluminum Fin											
Face Area (sq ft)						51.5						
Number of Rows — Fins/in.						2-10						
Water Volume (gal)						14.7						
STEAM HEATING COIL	1-in. OD, Copper Tube, Aluminum Fin											
Face Area (sq ft)						53						
Number of Rows — Fins/in.						1-8						
INDOOR FAN	Spring Isolated, Forward Curve					Spring Isolated, Forward Curve						
Nominal Cfm	26,000					28,000						
Quantity	1					1						
Size (in.)	27 x 25					27 x 25						
Minimum Hp	15					15						
Maximum Hp	50					50						
Minimum Design Cfm	20,400					22,320						
Maximum Design Cfm	30,600					33,480						
Maximum Allowable Rpm	910					910						
Fan Shaft Diameter (in.)	2 ⁷ / ₁₆					2 ⁷ / ₁₆						
INDOOR FAN MOTOR OPTIONS	15	20	25	30	40	50	15	20	25	30	40	50
Hp	254T	256T	284T	286T	324T	326T	254T	256T	284T	286T	324T	326T
Frame Size	91	91	91.7	93	93	93	91	91	91.7	93	93	93
Motor Efficiency % High	93	93.6	93.6	93.6	94.5	94.5	93	93.6	93.6	93.6	94.5	94.5
Motor Efficiency % Premium	91	91	92.4	92.4	93	93	91	91	92.4	92.4	93	93
Motor Efficiency % TEFC	652	690	746	803	806	828	652	690	746	803	826	828
Fan Rpm	12.5	12.5	12.5	12.5	15.5	18.5	12.5	12.5	12.5	12.5	15.5	18.5
Fan Pulley Diameter (in.)	1 ⁵ / ₈	1 ⁵ / ₈	1 ⁷ / ₈	1 ⁷ / ₈	2 ¹ / ₈	2 ¹ / ₈	1 ⁵ / ₈	1 ⁵ / ₈	1 ⁷ / ₈	1 ⁷ / ₈	2 ¹ / ₈	2 ¹ / ₈
Motor Shaft Diameter (in.)	3	3	3	3	4	4	3	3	3	3	4	4
Number of 5V Belts	4.5	4.9	5.3	5.7	7.1	8.7	4.5	4.9	5.3	5.7	7.1	8.7
Motor Pulley Diameter (in.)	23 ¹ / ₄	23 ¹ / ₄	22 ⁵ / ₈	22 ⁵ / ₈	21 ⁷ / ₈	21 ⁷ / ₈	23 ¹ / ₄	23 ¹ / ₄	22 ⁵ / ₈	22 ⁵ / ₈	21 ⁷ / ₈	21 ⁷ / ₈
Center Distance (in.)												
RETURN AIR FILTERS TYPE	4-in. 30% Disposable (MERV6)											
Filter Face Area (sq ft)						66.7						
Size (in.) — Quantity						20 X 20-24						
Options	2-in. 30%, 4-in. 65%, 4-in. 85%											
CONNECTIONS												
Water Inlet (in.), Type						3 ¹ / ₈ Sweat						
Water Outlet (in.), Type						3 ¹ / ₈ Sweat						
Condensate Drain (in.), Type						1 MPT						
CONTROLS	Stand-Alone Microprocessor											
Network Interface	Carrier CCN Standard											
Condenser Relief Valve (psig)	400											
Duct High Static (in. wg)	2-4.5											
Filter Maintenance (in. wg)	0.5-5											
Evaporator Frost Protection (F)	30											
High Pressure Switch (psig)	360											
Low Pressure Switch (psig)	27											
Safety Lockout Protection	Cycle-LOC™ ea. Compressor											

LEGEND

- CCN — Carrier Comfort Network
- DX — Direct Expansion
- TEFC — Totally Enclosed Fan Cooled



UNIT OPERATING WEIGHTS

BASE UNIT AND CONDENSER WATER WEIGHT

50XJ UNIT	BASE UNIT WEIGHT (lb)	CONDENSER WATER WEIGHT (lb)
C064	5388	150
E064	5408	150
F064	5428	150
B074	5408	150
C074	5428	150
D074	5478	150
E074	5528	150
A084	5434	150
B084	5484	150
C084	5534	150
D084	5700	167
E084	5750	167
F084	5896	167
A094	5853	150
B094	6019	167
C094	6069	167
D094	6215	167
F094	6265	167
A104	6092	167
B104	6238	167
D104	6288	167
E104	6700	187
F104	7092	187

NOTES:

1. Base unit weight includes refrigerant, controls and 150 psig condensers.
2. Add 205 lb to the base unit weight for approximate shipping weight.

MOTOR WEIGHT (208/230/460 VAC)

MOTOR HP	ODP HIGH EFFICIENCY WEIGHT (lb)	ODP PREMIUM EFFICIENCY WEIGHT (lb)	TEFC STANDARD EFFICIENCY WEIGHT (lb)
7.5	90	115	90
10	126	126	174
15	170	204	275
20	211	250	290
25	240	290	418
30	283	300	436
40	372	415	661
50	390	430	684

LEGEND

- HP** — Horsepower
ODP — Open Drip Proof
TEFC — Totally Enclosed Fan Cooled

VFD WEIGHT (208/203/460 VAC)

MOTOR HP	EQUAL SIZE WEIGHT (lb)	OVERSIZED WEIGHT (lb)
7.5	22	22
10	22	30
15	30	30
20	30	55
25	55	58
30	58	72
40	72	75
50	72	183

LEGEND

- VFD** — Variable Frequency Drive
EQUAL SIZE — Horsepower rating of VFD equal to horsepower rating of supply fan motor
OVERSIZED — Horsepower rating of VFD increased to next frame size higher than horsepower rating of supply fan motor

FILTER WEIGHT

SIZE (in.)	EFFICIENCY (%)	TOTAL WEIGHT (lb)
2	30	15
4	30	28
	65	69
	85	69

LEGEND

- SIZE** — Filter Thickness

CONDENSER WEIGHT

PRESSURE RATING (psig)	WEIGHT (lb)
150	Incl.
400	100

OPTIONAL SERVICE VALVE WEIGHT

SERVICE VALVES (All Units)	32 lb
-----------------------------------	-------

Physical data (cont)



UNIT OPERATING WEIGHTS (cont) ECONOMIZER COIL AND VALVE WEIGHT

50XJ UNIT	MECHANICALLY CLEANABLE ECONOMIZER COIL WEIGHT (lb)	CHEMICALLY CLEANABLE ECONOMIZER COIL WEIGHT (lb)	STOP VALVE WEIGHT (lb)	REGULATING VALVE WEIGHT (lb)	WATER WEIGHT (lb)
C064	661	632	7	13	244
E064	661	632	7	13	244
F064	661	632	7	13	244
B074	661	632	7	13	244
C074	661	632	7	13	244
D074	661	632	7	13	244
E074	661	632	7	13	244
A084	661	632	7	13	244
B084	661	632	7	13	244
C084	661	632	7	13	244
D084	661	632	7	13	244
E084	661	632	7	13	244
F084	661	632	7	13	244
A094	748	714	7	13	274
B094	748	714	7	13	274
C094	748	714	7	13	274
D094	748	714	7	13	274
F094	748	714	7	13	274
A104	748	714	7	13	274
B104	748	714	7	13	274
D104	748	714	7	13	274
E104	748	714	7	13	274
F104	748	714	7	13	274

HEATING COIL WEIGHT

50XJ UNIT	HOT WATER COIL WEIGHT (lb)	STEAM COIL WEIGHT (lb)	WATER WEIGHT (lb)
C064	310	354	106
E064	310	354	106
F064	310	354	106
B074	310	354	106
C074	310	354	106
D074	310	354	106
E074	310	354	106
A084	310	354	106
B084	310	354	106
C084	310	354	106
D084	310	354	106
E084	310	354	106
F084	310	354	106
A094	351	400	122
B094	351	400	122
C094	351	400	122
D094	351	400	122
F094	351	400	122
A104	351	400	122
B104	351	400	122
D104	351	400	122
E104	351	400	122
F104	351	400	122

PLENUM WEIGHT

WALL THICKNESS (in.)	HEIGHT (in.)	WEIGHT (lb)
2	22	927
	24	967
	28	1047
	34	1167
	40	1283
	46	1410
4	22	1290
	24	1346
	28	1455
	34	1620
	40	1785
	46	1949

Options and accessories



Factory-installed options

Two position isolation valve — A two-position valve on the condenser water inlet closes whenever no stages of cooling are required, resulting in pump energy savings for buildings employing variable speed pumping. This valve is not required with water regulating valve or waterside economizer options.

Water regulating valve — A modulating control valve located on the inlet of the condensers, modulates water flow to control the discharge pressure of the number one compressor above a minimum head pressure. This valve allows the unit to operate with entering water temperatures as low as 40 F. Two offerings are provided. The first is used for building systems with constant condenser water pumping, which uses a modulating bypass valve to keep the system water flow constant. The second allows the water-regulating valve to modulate closed and reduce system water flow for building systems with variable speed pumping.

Waterside economizer — The waterside economizer is a condenser water pre-cooling coil located before the direct expansion cooling coils, allowing the condenser water to provide free cooling. When the condenser water temperature is 5 F or more below the return-air temperature, condenser water is directed to the economizer coil to obtain free cooling. When free cooling is available the economizer coil functions as the first stage of cooling. The economizer coil valve can be modulated to control discharge-air temperature when the economizer can meet or exceed the cooling needs. If the economizer coil cannot control the discharge-air temperature, compressor stages are brought on to control the discharge-air temperature.

The waterside economizer includes the economizer coil, two two-way valves, vent and drain fittings and the required piping. The economizer coil is a 4-row coil with 10 fins per inch and is mechanically cleanable through clean-out plugs located on the coil return bends. The economizer and valves can be controlled to operate on either constant or variable flow building systems. The unit controller controls all required control logic and changeover.

Motor hp options — Up to 6 high-efficiency motor horsepower and drive combinations are available for each unit size. This allows the most efficient motor selection to meet the building static requirements.

Premium-efficiency motors — A premium-efficiency level motor is available for all motor hp options. Premium motor efficiency levels as high as 94.5% efficiency.

VFD bypass switch — A switch located next to the Variable Frequency Drive allows the drive to be removed from service for testing or repair and still allow the unit to run in constant airflow mode. A unit-mounted signal light will indicate if the unit is operating in bypass mode. A motor overload and starter are included to provide proper motor protection when in the bypass mode. The unit controller is linked with the bypass to signal VAV terminals to open

when in the bypass mode. Password protected control logic prevents unauthorized changeover to bypass mode.

Non-fused disconnect — A lockable nonfused switch located by the unit control panel to disconnect all unit power. The switch is accessible without opening any control panels.

Phase loss/phase reversal/low voltage protection — A power line monitor control which protects 3 phase motors from damage due to single phasing, phase reversal and low voltage condition. Phase monitor is linked to the unit controller.

High waterside pressure condenser — Condensers rated with 400 psi waterside working pressure. Normally only required when building heights exceed 65 feet.

Four-inch MERV 8 (65%) filter — Extra deep 65% ASHRAE 52 rated 4-in. pleated filters with a MERV (minimum efficiency rating value) of 8. This filter provides better air quality at less pressure drop than comparable 4-in. 30% filters.

Extended grease lines — For ease in servicing, grease lines are extended from the fan and motor bearings to one location on the unit corner post with external grease fittings.

Compressor service valves — A service valve is provided on the suction and discharge line of each compressor to allow compressor isolation for servicing.

Water flow switch — A thermal type water flow switch is located in the entering condenser water. This switch prevents compressor operation if water flow is not available, and water flow signal is not provided on the control network.

Fire and smoke control interface — Control system modifications allow the unit fans and VAV box control signals to be commanded to respond to fire and smoke control signals.

Evaporator coil coating — Evaporator coil aluminum fins shall be coated an epoxy coating, capable of 1000-hr salt spray exposure per ASTM B117 test and ASTM DI 654 evaluation, 2000-hr corrosion weathering cycle and moist sulfur dioxide exposure per DIN 50018 (ASTM G87) test and ASTM DI 654 and ASTM D714 evaluation.

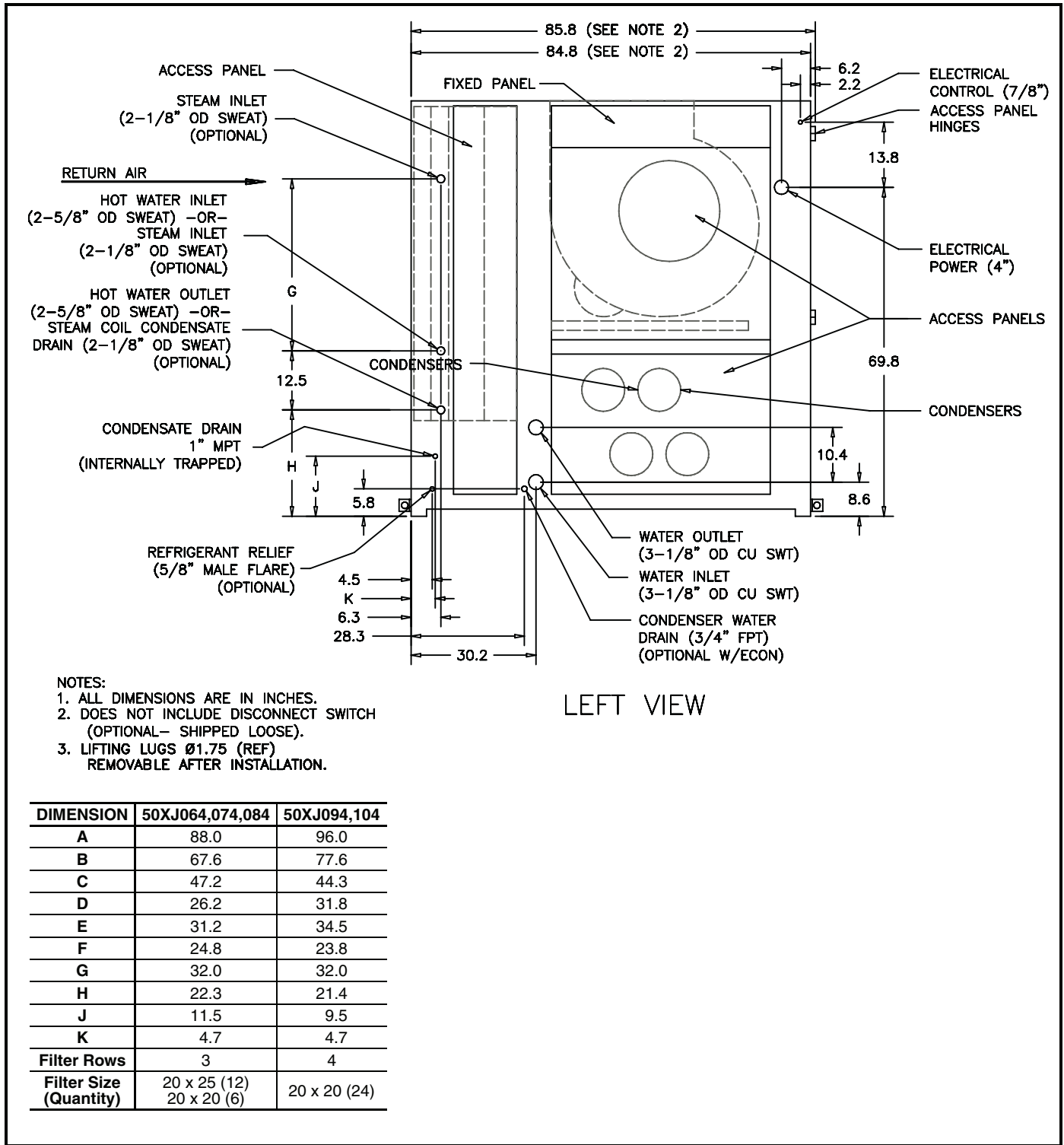
Space temperature sensor — The T-56 space temperature sensor monitors space temperature. The device can be wall mounted in the occupied space.

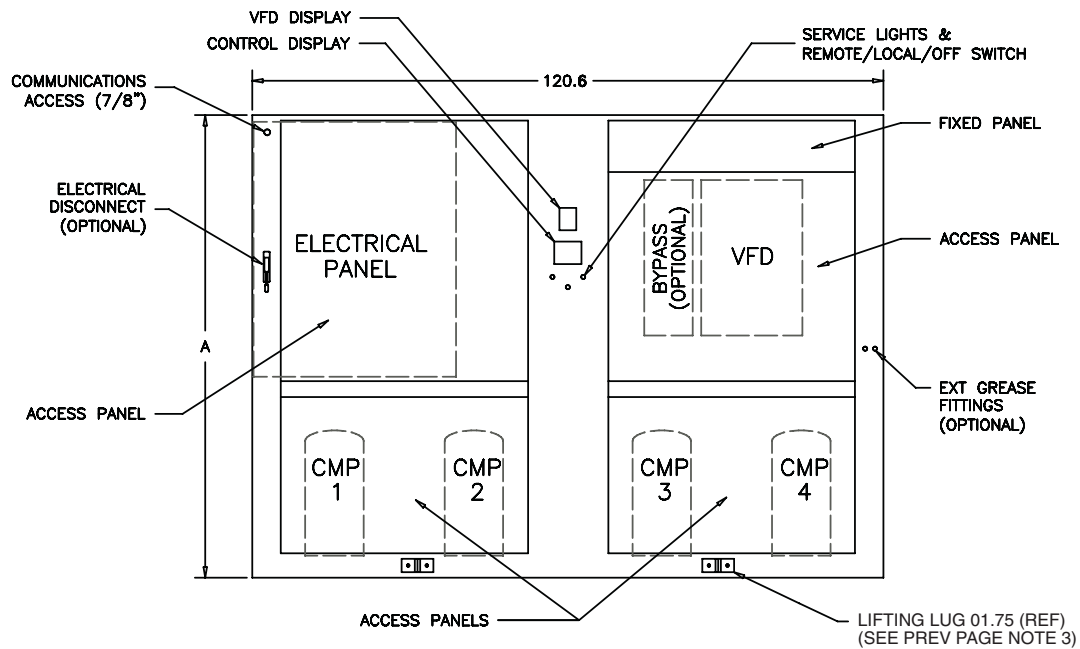
Field-installed accessories

Acoustic discharge plenum — A factory designed plenum provides sound attenuation and minimum static pressure losses.

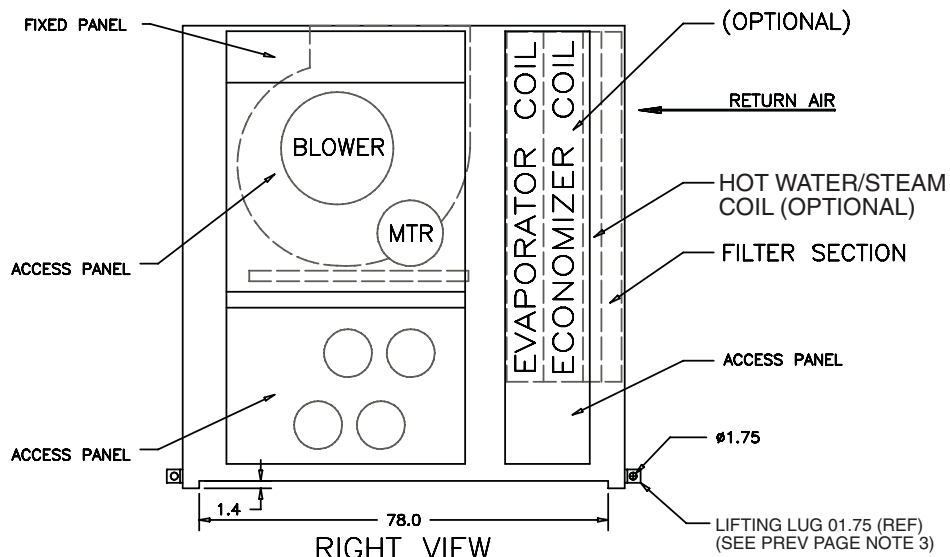
System control option — An additional control module is available to control operation of multiple units, tower and pumps, modulating exhaust fan, and building pressure. The control option provides a fully integrated system.

Base unit dimensions





FRONT VIEW

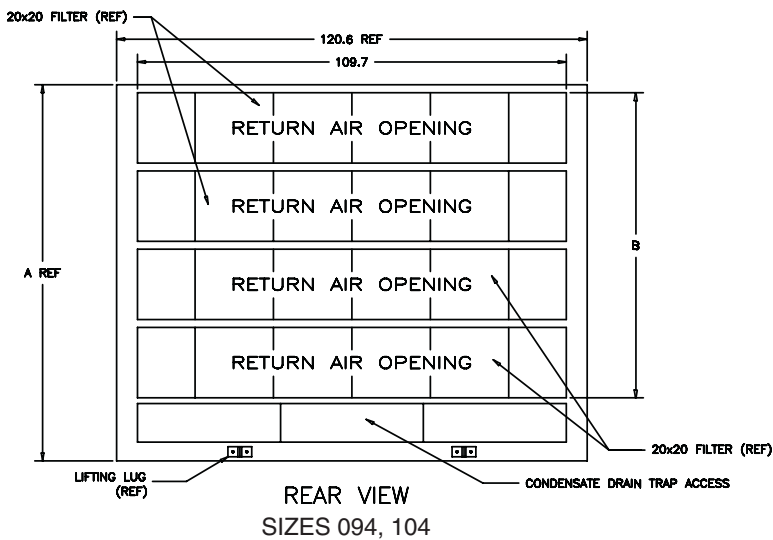
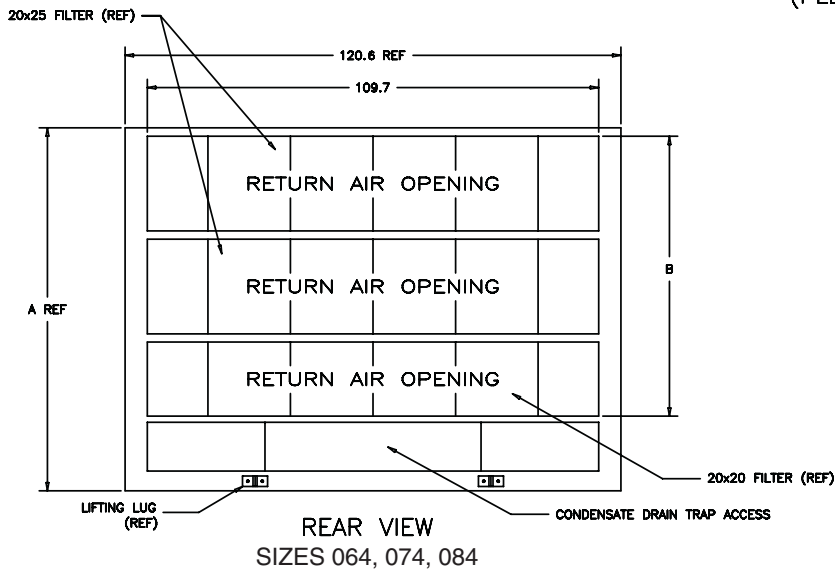
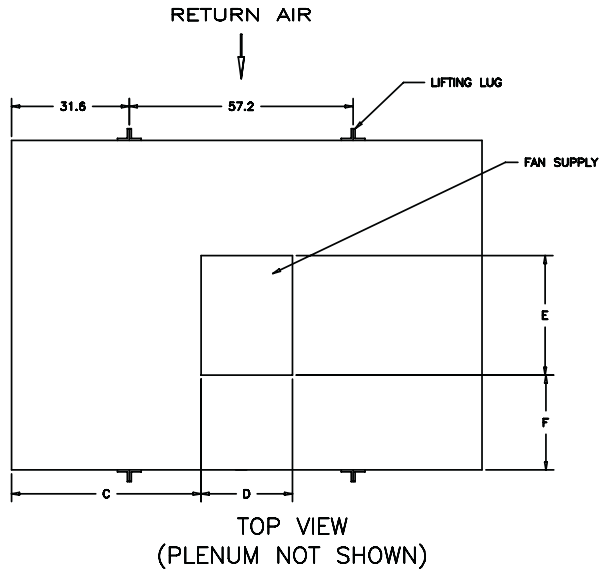
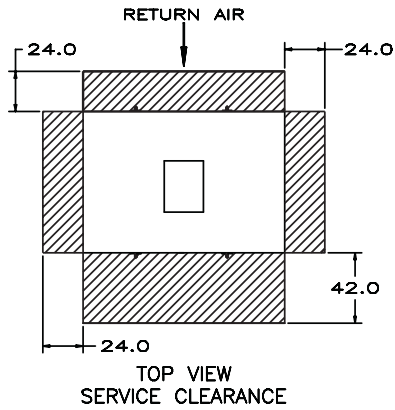


RIGHT VIEW

DIMENSION	50XJ064,074,084	50XJ094,104
A	88.0	96.0
B	67.6	77.6
C	47.2	44.3
D	26.2	31.8
E	31.2	34.5
F	24.8	23.8
G	32.0	32.0
H	22.3	21.4
J	11.5	9.5
K	4.7	4.7
Filter Rows	3	4
Filter Size (Quantity)	20 x 25 (12) 20 x 20 (6)	20 x 20 (24)

NOTE: All dimensions are in inches.

Base unit dimensions (cont)



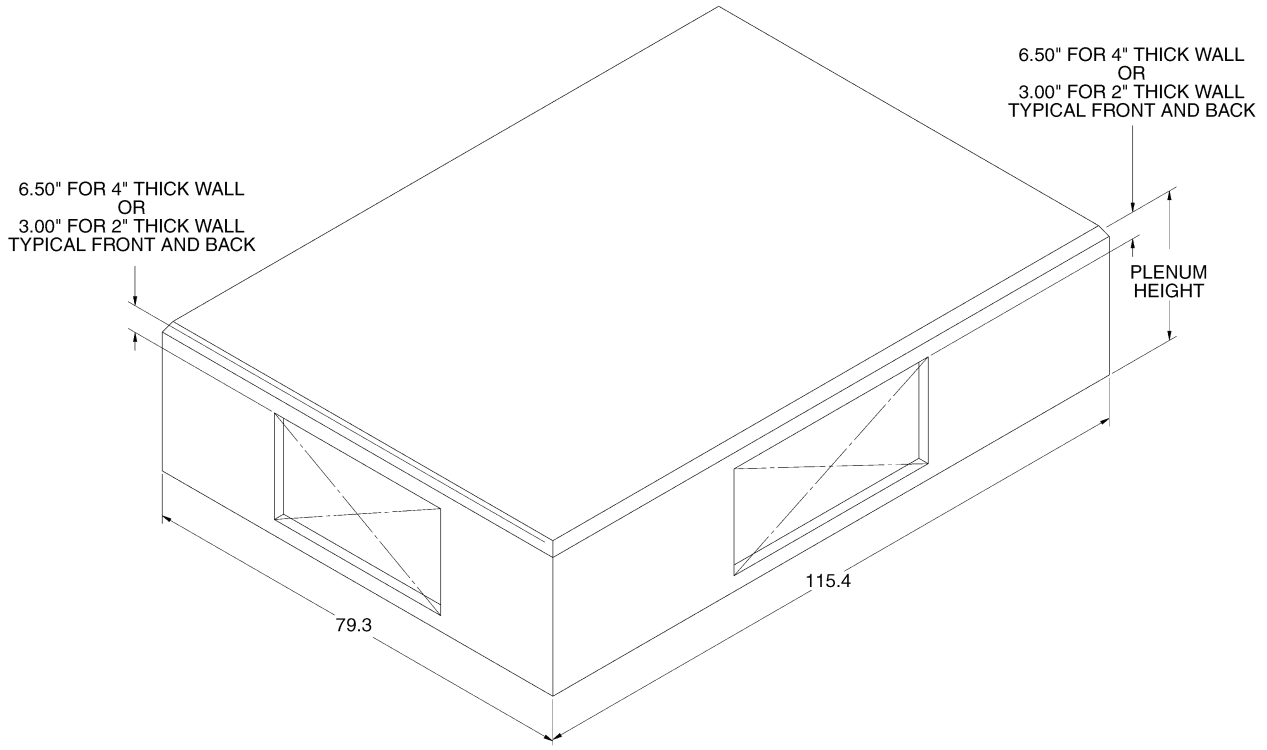
DIMENSION	50XJ064,074,084	50XJ094,104
A	88.0	96.0
B	67.6	77.6
C	47.2	44.3
D	26.2	31.8
E	31.2	34.5
F	24.8	23.8
G	32.0	32.0
H	22.3	21.4
J	11.5	9.5
K	4.7	4.7
Filter Rows	3	4
Filter Size (Quantity)	20 x 25 (12) 20 x 20 (6)	20 x 20 (24)

NOTE: All dimensions are in inches.

Accessory dimensions — plenum



Position	1		2		3		4		FRONT OPENING			BACK OPENING			RIGHT SIDE OPENING			LEFT SIDE OPENING		
	2	3	4	5	6	7	8	9	10	11	12	13	14	15	16					
Example	X	F	D	2	D	A	D	0	F	X	0	0	X	0	0					
Meaning	50XJ Plenum	Unit Size	Plenum Height	Wall Thickness	Duct Height	Duct Width in inches, up to plenum width less 8 inches.	Duct Height	Duct Width in inches, up to plenum width less 8 inches.	Duct Height	Duct Width in inches, up to plenum width less 8 inches.	Duct Height	Duct Width in inches, up to plenum width less 8 inches.	Duct Height	Duct Width in inches, up to plenum width less 8 inches.	Duct Height	Duct Width in inches, up to plenum width less 8 inches.				
	X — 50XJ Plenum	F — 064/074/084 G — 094/104	C — 22" D — 24" F — 28" J — 34" M — 40" P — 46"	2 — 2" Wall 4 — 4" Wall	A — 12" B — 14" C — 16" D — 18" E — 20" F — 22" G — 24" H — 26" J — 28" K — 30" L — 32" M — 34" N — 36" X — None	0 — 0" 1 — 16" 2 — 32" 3 — 48" 4 — 64" 5 — 80" 6 — 96" 7 — 112"	0 — 0" 1 — 1" 2 — 2" 3 — 3" 4 — 4" 5 — 5" 6 — 6" 7 — 7"	8 — 8" 9 — 9" A — 10" B — 11" C — 12" D — 13" E — 14" F — 15"	D — 18" E — 20" F — 22" G — 24" H — 26" J — 28" K — 30" L — 32" M — 34" N — 36" X — None	0 — 0" 1 — 16" 2 — 32" 3 — 48" 4 — 64" 5 — 80" 6 — 96" 7 — 112"	0 — 0" 1 — 1" 2 — 2" 3 — 3" 4 — 4" 5 — 5" 6 — 6" 7 — 7"	8 — 8" 9 — 9" A — 10" B — 11" C — 12" D — 13" E — 14" F — 15"	D — 18" E — 20" F — 22" G — 24" H — 26" J — 28" K — 30" L — 32" M — 34" N — 36" X — None	0 — 0" 1 — 16" 2 — 32" 3 — 48" 4 — 64" 5 — 80" 6 — 96" 7 — 112"	0 — 0" 1 — 1" 2 — 2" 3 — 3" 4 — 4" 5 — 5" 6 — 6" 7 — 7"	8 — 8" 9 — 9" A — 10" B — 11" C — 12" D — 13" E — 14" F — 15"	D — 18" E — 20" F — 22" G — 24" H — 26" J — 28" K — 30" L — 32" M — 34" N — 36" X — None	0 — 0" 1 — 16" 2 — 32" 3 — 48" 4 — 64" 5 — 80" 6 — 96" 7 — 112"	0 — 0" 1 — 1" 2 — 2" 3 — 3" 4 — 4" 5 — 5" 6 — 6" 7 — 7"	8 — 8" 9 — 9" A — 10" B — 11" C — 12" D — 13" E — 14" F — 15"



Selection procedure



Use Carrier's VPACBuilder performance and selection software to perform unit selections at a variety of actual operating conditions. Performance at typical operating

conditions are incorporated in the following performance tables.

Performance data

GROSS COOLING CAPACITIES 50XJC064 WITH (4) 10 HP COMPRESSORS

EWT (F)	GPM	BF	AIR ENTERING EVAPORATOR — CFM AT 80 F EDB														
			15,200					19,000					23,000				
			Air Entering Evaporator — Ewb (F)														
			77	72	67	62	57	77	72	67	62	57	77	72	67	62	57
0.031	0.057	0.056	0.7	0.271	0.06	0.075	0.075	0.122	0.379	0.082	0.092	0.097	0.227	0.462			
65	100	TC	718	658	604	556	538	740	680	624	580	574	756	695	638	604	604
		SHC	267	349	428	505	538	280	379	477	565	574	292	410	525	604	604
		LDB	64.96	59.77	54.69	49.74	47.54	67.38	62.35	57.39	52.92	52.29	69.11	64.21	59.42	56.04	55.94
		LWB	64.96	59.51	54.12	48.73	42.67	67.30	61.91	56.59	51.16	45.01	68.95	63.62	58.32	52.80	46.74
	KW	30.37	29.50	28.84	28.25	28.06	30.70	29.81	29.08	28.53	28.46	30.94	30.03	29.29	28.86	28.85	
	125	TC	723	663	607	559	540	747	685	628	583	577	762	700	643	607	607
		SHC	269	350	430	507	540	282	381	479	567	577	294	412	527	607	607
		LDB	64.85	59.67	54.59	49.66	47.42	67.29	62.27	57.31	52.82	52.15	69.03	64.14	59.35	55.92	55.81
		LWB	64.85	59.41	54.04	48.65	42.61	67.21	61.83	56.51	51.09	44.94	68.87	63.54	58.25	52.74	46.67
	KW	29.33	28.55	27.89	27.38	27.17	29.67	28.85	28.15	27.65	27.59	29.91	29.06	28.35	27.95	27.94	
	150	TC	727	666	609	561	542	751	688	631	585	579	767	704	646	609	609
		SHC	270	351	431	508	542	283	383	480	568	579	296	413	528	609	609
LDB		64.78	59.60	54.53	49.61	47.33	67.23	62.21	57.26	52.77	52.06	68.98	64.09	59.30	55.84	55.73	
LWB		64.78	59.35	53.99	48.60	42.57	67.15	61.77	56.46	51.04	44.90	68.82	63.50	58.21	52.71	46.64	
KW	28.69	27.94	27.29	26.80	26.61	29.03	28.25	27.55	27.06	27.00	29.25	28.44	27.75	27.34	27.33		
175	TC	729	668	611	562	543	753	691	632	587	580	770	706	648	611	610	
	SHC	271	352	431	508	543	284	383	481	569	580	297	414	529	611	610	
	LDB	64.73	59.56	54.49	49.57	47.28	67.19	62.17	57.23	52.73	52.00	68.95	64.06	59.27	55.77	55.68	
	LWB	64.73	59.31	53.95	48.57	42.54	67.10	61.74	56.43	51.01	44.87	68.79	63.46	58.18	52.68	46.61	
KW	28.26	27.51	26.88	26.41	26.22	28.61	27.81	27.14	26.66	26.60	28.84	28.02	27.32	26.92	26.92		
75	100	TC	698	641	587	541	526	719	660	606	564	561	733	674	620	589	589
		SHC	260	342	421	498	526	273	372	470	555	561	285	403	517	589	589
		LDB	65.35	60.16	55.09	50.19	48.28	67.71	62.69	57.74	53.35	52.95	69.38	64.49	59.72	56.63	56.53
		LWB	65.33	59.89	54.52	49.13	43.04	67.61	62.24	56.92	51.48	45.32	69.21	63.88	58.59	53.04	47.01
	KW	33.12	32.35	31.67	31.15	31.00	33.43	32.61	31.90	31.39	31.35	33.65	32.82	32.11	31.74	31.73	
	125	TC	704	645	591	545	528	725	666	610	568	564	740	680	625	593	593
		SHC	262	344	423	499	528	275	374	472	557	564	287	405	519	593	593
		LDB	65.23	60.05	54.99	50.09	48.13	67.61	62.59	57.65	53.25	52.79	69.29	64.41	59.64	56.48	56.38
		LWB	65.22	59.79	54.43	49.04	42.97	67.51	62.15	56.83	51.40	45.25	69.12	63.80	58.52	52.98	46.94
	KW	31.90	31.18	30.59	30.10	29.94	32.19	31.43	30.80	30.35	30.30	32.41	31.63	30.98	30.65	30.65	
	150	TC	708	649	593	547	530	730	670	613	570	566	745	684	628	596	595
		SHC	263	345	424	501	530	277	376	473	559	566	289	406	520	596	595
LDB		65.16	59.98	54.93	50.03	48.03	67.54	62.53	57.59	53.18	52.69	69.24	64.36	59.59	56.39	56.28	
LWB		65.14	59.72	54.37	48.98	42.92	67.45	62.08	56.78	51.35	45.20	69.07	63.75	58.47	52.94	46.89	
KW	31.12	30.43	29.87	29.43	29.28	31.40	30.68	30.07	29.65	29.61	31.60	30.87	30.24	29.93	29.92		
175	TC	711	651	595	548	531	733	672	615	572	567	748	687	630	597	597	
	SHC	264	346	425	501	531	278	377	474	560	567	290	407	521	597	597	
	LDB	65.10	59.94	54.88	49.98	47.96	67.49	62.49	57.55	53.14	52.63	69.20	64.32	59.55	56.32	56.22	
	LWB	65.09	59.67	54.32	48.94	42.88	67.40	62.04	56.74	51.32	45.17	69.03	63.72	58.44	52.91	46.86	
KW	30.56	29.91	29.37	28.97	28.81	30.85	30.15	29.56	29.17	29.13	31.05	30.32	29.73	29.43	29.42		
85	100	TC	676	620	568	524	512	695	638	586	547	545	708	651	599	572	572
		SHC	252	334	413	489	512	265	364	461	547	545	277	395	508	572	572
		LDB	65.78	60.61	55.56	50.70	49.10	68.06	63.06	58.13	53.77	53.69	69.67	64.80	60.06	57.30	57.21
		LWB	65.75	60.33	54.98	49.59	43.45	67.96	62.59	57.28	51.84	45.68	69.49	64.18	58.89	53.32	47.32
	KW	36.58	35.85	35.22	34.74	34.63	36.84	36.09	35.44	35.00	34.99	37.05	36.29	35.64	35.31	35.30	
	125	TC	683	625	572	528	515	702	644	591	551	549	716	658	604	576	576
		SHC	255	336	415	491	515	267	366	463	547	549	280	397	510	576	576
		LDB	65.65	60.49	55.44	50.59	48.92	67.95	62.95	58.02	53.77	53.52	69.58	64.71	59.96	57.14	57.04
		LWB	65.63	60.22	54.87	49.49	43.36	67.85	62.50	57.19	51.75	45.60	69.41	64.10	58.82	53.25	47.25
	KW	35.06	34.44	33.91	33.50	33.42	35.29	34.64	34.09	33.72	33.70	35.51	34.80	34.26	33.98	33.97	
	150	TC	687	629	575	530	517	707	648	594	554	551	721	662	608	579	579
		SHC	256	337	416	492	517	269	368	465	548	551	281	398	512	579	579
LDB		65.57	60.41	55.37	50.51	48.81	67.88	62.88	57.96	53.72	53.41	69.52	64.65	59.91	57.04	56.94	
LWB		65.55	60.14	54.80	49.43	43.30	67.79	62.43	57.13	51.69	45.54	69.35	64.04	58.77	53.21	47.20	
KW	34.16	33.50	33.04	32.69	32.62	34.39	33.72	33.19	32.88	32.85	34.58	33.89	33.33	33.09	33.09		
175	TC	690	632	578	532	518	710	651	596	556	553	725	665	610	581	581	
	SHC	257	338	417	493	518	270	369	466	550	553	282	399	513	581	581	
	LDB	65.51	60.36	55.32	50.47	48.73	67.83	62.84	57.92	53.63	53.33	69.48	64.62	59.87	56.96	56.86	
	LWB	65.49	60.08	54.75	49.38	43.27	67.74	62.39	57.09	51.66	45.51	69.31	64.00	58.73	53.18	47.16	
KW	33.50	32.90	32.43	32.12	32.05	33.73	33.09	32.56	32.28	32.26	33.91	33.25	32.72	32.47	32.47		

LEGEND

- BF — Bypass Factor
- EDB — Entering Dry Bulb (F)
- EWB — Entering Wet Bulb (F)
- EWT — Entering Water Temperature (F)
- kW — Compressor Motor Power Input (kilowatts)
- LDB — Leaving Dry Bulb (F)
- LWB — Leaving Wet Bulb (F)
- SHC — Sensible Capacity (1000 Btu/hr)
- TC — Total Capacity (1000 Btu/hr)

Performance data (cont)



GROSS COOLING CAPACITIES (cont) 50XJC064 WITH (4) 10 HP COMPRESSORS (cont)

EWT (F)	GPM	BF	AIR ENTERING EVAPORATOR — CFM AT 80 F EDB														
			15,200					19,000					23,000				
			Air Entering Evaporator — Ewb (F)														
			77	72	67	62	57	77	72	67	62	57	77	72	67	62	57
0.031	0.057	0.056	0.7	0.271	0.06	0.075	0.075	0.122	0.379	0.082	0.092	0.097	0.227	0.462			
95	100	TC	651	597	547	506	497	669	614	564	529	529	681	627	577	554	553
		SHC	244	325	404	480	497	256	355	452	529	529	269	386	498	554	553
		LDB	66.25	61.10	56.07	51.25	50.04	68.44	63.45	58.55	54.59	54.49	69.99	65.12	60.43	58.04	57.94
		LWB	66.22	60.81	55.47	50.08	43.91	68.33	62.98	57.67	52.19	46.06	69.80	64.49	59.21	53.63	47.66
	KW	40.71	39.94	39.29	38.77	38.68	40.98	40.19	39.52	39.11	39.11	41.20	40.42	39.75	39.42	39.41	
	125	TC	658	603	552	510	500	676	621	569	533	532	689	634	583	558	558
		SHC	246	328	407	482	500	259	358	455	533	532	271	388	501	558	558
		LDB	66.12	60.97	55.94	51.14	49.85	68.33	63.34	58.43	54.40	54.31	69.89	65.04	60.32	57.87	57.77
		LWB	66.09	60.69	55.36	49.97	43.82	68.22	62.88	57.58	52.11	45.97	69.71	64.41	59.13	53.55	47.58
	KW	39.05	38.41	37.85	37.43	37.34	39.28	38.61	38.05	37.71	37.69	39.47	38.79	38.24	37.95	37.95	
	150	TC	663	607	555	512	502	681	625	572	536	535	695	638	586	561	561
		SHC	248	329	408	483	502	261	359	456	536	535	273	390	503	561	561
LDB		66.03	60.89	55.86	51.06	49.72	68.26	63.27	58.37	54.28	54.19	69.83	64.98	60.26	57.75	57.66	
LWB		66.00	60.61	55.28	49.90	43.76	68.15	62.81	57.52	52.06	45.92	69.65	64.35	59.08	53.51	47.53	
KW	37.95	37.38	36.90	36.55	36.48	38.16	37.56	37.07	36.78	36.77	38.34	37.72	37.23	36.98	36.98		
175	TC	666	610	557	514	504	685	628	575	538	537	698	641	589	563	563	
	SHC	249	330	409	484	504	262	360	457	538	537	274	391	504	563	563	
	LDB	65.97	60.83	55.81	51.01	49.63	68.20	63.22	58.32	54.19	54.11	69.79	64.94	60.22	57.67	57.58	
	LWB	65.94	60.55	55.23	49.86	43.71	68.10	62.76	57.47	52.02	45.88	69.61	64.31	59.04	53.47	47.49	
KW	37.17	36.65	36.24	35.92	35.86	37.36	36.82	36.38	36.12	36.11	37.51	36.96	36.52	36.31	36.30		
105	100	TC	625	573	525	486	480	641	589	541	511	510	653	601	552	534	534
		SHC	235	316	395	469	480	247	346	442	511	510	260	376	488	534	534
		LDB	66.75	61.64	56.61	51.89	51.06	68.84	63.87	59.00	55.49	55.39	70.32	65.48	60.83	58.83	58.73
		LWB	66.71	61.32	55.99	50.60	44.41	68.72	63.39	58.09	52.57	46.48	70.12	64.83	59.57	53.95	48.03
	KW	45.34	44.52	43.81	43.25	43.18	45.64	44.80	44.09	43.64	43.64	45.88	45.03	44.28	44.01	44.00	
	125	TC	632	579	530	490	483	649	595	546	515	514	661	607	558	539	538
		SHC	238	319	397	471	483	250	349	445	515	514	262	379	491	539	538
		LDB	66.62	61.49	56.47	51.75	50.85	68.73	63.76	58.88	55.30	55.20	70.22	65.38	60.72	58.65	58.56
		LWB	66.58	61.20	55.88	50.49	44.31	68.61	63.28	57.99	52.49	46.39	70.03	64.74	59.48	53.88	47.94
	KW	43.55	42.86	42.26	41.81	41.73	43.79	43.10	42.49	42.12	42.12	44.00	43.30	42.67	42.42	42.41	
	150	TC	637	583	533	493	486	654	600	550	517	517	666	612	562	542	541
		SHC	239	320	399	473	486	252	350	446	517	517	264	381	492	542	541
		LDB	66.53	61.40	56.39	51.67	50.72	68.65	63.68	58.80	55.17	55.07	70.16	65.32	60.66	58.53	58.43
		LWB	66.49	61.11	55.80	50.42	44.25	68.54	63.21	57.93	52.43	46.33	69.97	64.68	59.42	53.83	47.89
	KW	42.36	41.75	41.25	40.87	40.80	42.58	41.96	41.44	41.13	41.13	42.76	42.14	41.60	41.37	41.37	
	175	TC	640	586	535	495	487	658	603	552	519	519	670	615	565	544	543
SHC		240	321	400	474	487	253	351	448	519	519	265	382	494	544	543	
LDB		66.46	61.34	56.33	51.61	50.62	68.60	63.64	58.76	55.08	54.97	70.11	65.28	60.61	58.44	58.35	
LWB		66.43	61.05	55.74	50.37	44.20	68.49	63.16	57.89	52.40	46.29	69.93	64.64	59.38	53.79	47.85	
KW	41.51	40.97	40.52	40.18	40.12	41.71	41.15	40.70	40.42	40.42	41.87	41.31	40.84	40.63	40.63		

LEGEND

- BF — Bypass Factor
- EDB — Entering Dry Bulb (F)
- EWB — Entering Wet Bulb (F)
- EWT — Entering Water Temperature (F)
- kW — Compressor Motor Power Input (kilowatts)
- LDB — Leaving Dry Bulb (F)
- LWB — Leaving Wet Bulb (F)
- SHC — Sensible Capacity (1000 Btu/hr)
- TC — Total Capacity (1000 Btu/hr)

Performance data (cont)



GROSS COOLING CAPACITIES (cont)

50XJE064 WITH (2) 10 HP COMPRESSORS AND (2) 13 HP COMPRESSORS

EWT (F)	GPM	BF	AIR ENTERING EVAPORATOR — CFM AT 80 F EDB														
			15,200					19,000					23,000				
			Air Entering Evaporator — Ewb (F)														
			77	72	67	62	57	77	72	67	62	57	77	72	67	62	57
0.001	0.56	0.056	0.063	0.225	0.053	0.074	0.073	0.101	0.337	0.077	0.091	0.093	0.172	0.423			
65	115	TC	776	712	651	599	573	803	737	676	626	613	822	755	693	647	645
		SHC	287	369	449	527	573	301	401	499	591	613	314	432	548	647	645
		LDB	63.82	58.57	53.47	48.47	45.46	66.43	61.37	56.38	51.69	50.42	68.31	63.39	58.54	54.33	54.27
	144	LWB	63.82	58.35	52.95	47.58	41.62	66.37	60.96	55.61	50.21	44.09	68.17	62.81	57.51	52.07	45.95
		KW	33.19	32.27	31.52	30.91	30.68	33.66	32.64	31.86	31.25	31.11	33.88	32.90	32.10	31.53	31.49
		TC	782	716	655	602	575	809	743	680	629	616	829	761	698	651	649
	173	SHC	289	371	451	528	575	303	403	501	592	616	316	434	550	651	649
		LDB	63.70	58.47	53.38	48.39	45.34	66.34	61.28	56.29	51.60	50.28	68.22	63.31	58.46	54.20	54.14
		LWB	63.70	58.24	52.86	47.50	41.55	66.28	60.87	55.53	50.13	44.03	68.09	62.74	57.43	52.02	45.88
	201	KW	32.07	31.25	30.56	29.99	29.74	32.46	31.60	30.87	30.32	30.17	32.76	31.86	31.09	30.55	30.54
		TC	786	719	658	603	576	813	746	683	631	618	834	765	701	654	651
		SHC	290	372	452	529	576	304	404	502	594	618	318	436	551	649	651
75	115	LDB	63.63	58.40	53.32	48.33	45.25	66.28	61.23	56.24	51.55	50.20	68.17	63.25	58.42	54.29	54.05
		LWB	63.63	58.18	52.80	47.44	41.51	66.22	60.82	55.48	50.09	43.99	68.03	62.69	57.39	51.96	45.84
		KW	31.39	30.60	29.91	29.38	29.14	31.76	30.94	30.22	29.68	29.54	32.05	31.18	30.44	29.92	29.89
	144	TC	788	721	659	605	577	816	748	685	633	619	837	768	703	657	652
		SHC	291	373	452	530	577	305	405	503	594	619	319	436	552	645	652
		LDB	63.58	58.36	53.28	48.29	45.20	66.23	61.19	56.21	51.52	50.15	68.13	63.22	58.38	54.42	54.00
	173	LWB	63.58	58.13	52.76	47.41	41.48	66.18	60.78	55.45	50.06	43.96	68.00	62.65	57.36	51.92	45.82
		KW	30.94	30.14	29.49	28.74	28.44	31.31	30.47	29.77	29.26	29.12	31.61	30.74	29.99	29.48	29.46
		TC	755	692	634	583	560	781	717	657	608	599	798	733	673	631	630
	201	SHC	280	362	441	519	560	293	393	491	582	599	306	424	539	631	630
		LDB	64.24	59.02	53.92	48.94	46.25	66.78	61.73	56.75	52.12	51.10	68.60	63.69	58.86	54.97	54.89
		LWB	64.24	58.78	53.39	48.01	42.02	66.71	61.31	55.97	50.57	44.43	68.46	63.11	57.81	52.34	46.24
85	115	KW	36.24	35.40	34.67	34.17	33.95	36.63	35.77	35.01	34.44	34.36	36.89	35.99	35.21	34.69	34.68
		TC	761	697	638	586	562	787	723	662	612	602	805	740	678	635	634
		SHC	282	364	443	521	562	296	395	493	583	602	309	426	542	635	634
	144	LDB	64.11	58.90	53.82	48.84	46.10	66.67	61.63	56.65	52.03	50.94	68.51	63.61	58.77	54.82	54.74
		LWB	64.11	58.66	53.29	47.92	41.94	66.61	61.21	55.88	50.48	44.35	68.37	63.02	57.73	52.28	46.17
		KW	34.93	34.17	33.54	33.03	32.80	35.30	34.51	33.83	33.30	33.22	35.55	34.71	34.01	33.55	33.53
	173	TC	765	701	641	588	564	792	726	665	615	604	810	744	682	638	636
		SHC	283	365	444	522	564	297	397	494	585	604	310	428	543	638	636
		LDB	64.03	58.83	53.74	48.77	46.00	66.61	61.56	56.59	51.96	50.84	68.45	63.55	58.72	54.72	54.65
	201	LWB	64.03	58.59	53.22	47.86	41.89	66.54	61.15	55.82	50.43	44.30	68.31	62.97	57.68	52.24	46.13
		KW	34.11	33.37	32.77	32.31	32.11	34.44	33.70	33.05	32.56	32.48	34.69	33.90	33.22	32.78	32.77
		TC	768	703	642	590	565	795	729	667	617	606	814	747	684	639	638
85	115	SHC	284	366	445	522	565	298	398	495	586	606	311	429	544	639	638
		LDB	63.98	58.77	53.71	48.73	45.93	66.56	61.52	56.55	51.92	50.77	68.41	63.51	58.68	54.66	54.58
		LWB	63.98	58.54	53.18	47.82	41.86	66.49	61.10	55.78	50.40	44.27	68.27	62.93	57.65	52.21	46.09
	144	KW	33.53	32.83	32.27	31.83	31.63	33.87	33.13	32.52	32.07	32.00	34.11	33.33	32.69	32.27	32.26
		TC	731	671	614	565	545	755	693	635	589	583	771	709	651	614	613
		SHC	272	353	433	510	545	285	384	482	571	583	297	415	530	614	613
	173	LDB	64.70	59.50	54.42	49.46	47.13	67.16	62.13	57.17	52.61	51.89	68.92	64.03	59.22	55.67	55.58
		LWB	64.70	59.25	53.87	48.48	42.46	67.09	61.70	56.37	50.96	44.81	68.77	63.43	58.14	52.64	46.56
		KW	40.10	39.32	38.66	38.16	37.93	40.44	39.63	38.93	38.39	38.33	40.67	39.84	39.12	38.71	38.69
	201	TC	738	676	619	569	548	762	699	641	594	586	779	715	656	618	617
		SHC	274	355	435	512	548	287	387	484	573	586	300	417	532	618	617
		LDB	64.57	59.37	54.30	49.35	46.96	67.05	62.03	57.06	52.51	51.72	68.83	63.94	59.12	55.51	55.41
85	115	LWB	64.57	59.12	53.76	48.39	42.38	66.97	61.59	56.27	50.87	44.73	68.68	63.34	58.06	52.57	46.49
		KW	38.48	37.82	37.27	36.84	36.64	38.79	38.09	37.49	37.05	36.99	38.99	38.27	37.66	37.30	37.29
		TC	742	680	622	571	550	767	704	644	596	589	784	720	660	620	619
	144	SHC	275	357	436	513	550	289	388	486	575	589	302	419	534	620	619
		LDB	64.48	59.29	54.22	49.28	46.84	66.98	61.95	56.99	52.43	51.60	68.76	63.88	59.06	55.41	55.31
		LWB	64.48	59.05	53.69	48.32	42.32	66.90	61.52	56.21	50.82	44.67	68.61	63.29	58.00	52.53	46.44
	173	KW	37.47	36.82	36.34	35.98	35.82	37.80	37.07	36.54	36.16	36.11	38.00	37.26	36.68	36.37	36.36
		TC	745	682	624	573	551	771	706	646	598	590	788	723	663	622	621
		SHC	276	358	437	514	551	290	389	487	576	590	303	420	535	622	621
	201	LDB	64.42	59.24	54.17	49.23	46.76	66.92	61.90	56.95	52.38	51.53	68.72	63.83	59.02	55.33	55.24
		LWB	64.42	58.99	53.64	48.28	42.28	66.85	61.48	56.17	50.78	44.63	68.57	63.25	57.96	52.50	46.40
		KW	36.80	36.14	35.71	35.39	35.24	37.11	36.43	35.89	35.55	35.50	37.31	36.60	36.01	35.73	35.73

LEGEND

- BF — Bypass Factor
- EDB — Entering Dry Bulb (F)
- EWB — Entering Wet Bulb (F)
- EWT — Entering Water Temperature (F)
- kW — Compressor Motor Power Input (kilowatts)
- LDB — Leaving Dry Bulb (F)
- LWB — Leaving Wet Bulb (F)
- SHC — Sensible Capacity (1000 Btu/hr)
- TC — Total Capacity (1000 Btu/hr)



GROSS COOLING CAPACITIES (cont)

50XJE064 WITH (2) 10 HP COMPRESSORS AND (2) 13 HP COMPRESSORS (cont)

EWT (F)	GPM	BF	AIR ENTERING EVAPORATOR — CFM AT 80 F EDB														
			15,200					19,000					23,000				
			Air Entering Evaporator — Ewb (F)														
			77	72	67	62	57	77	72	67	62	57	77	72	67	62	57
0.001	0.56	0.056	0.063	0.225	0.053	0.074	0.073	0.101	0.337	0.077	0.091	0.093	0.172	0.423			
95	115	TC	706	647	592	545	529	727	667	612	569	565	742	682	627	594	594
		SHC	263	344	423	500	529	276	375	472	559	565	288	406	520	594	594
		LDB	65.20	60.02	54.96	50.05	48.08	67.58	62.57	57.63	53.18	52.75	69.27	64.38	59.61	56.44	56.34
		LWB	65.19	59.75	54.39	49.02	42.94	67.49	62.12	56.80	51.39	45.23	69.11	63.78	58.49	52.96	46.92
	KW	44.69	43.87	43.16	42.60	42.40	45.00	44.14	43.41	42.87	42.83	45.23	44.37	43.63	43.23	43.22	
	144	TC	713	653	597	549	532	735	674	617	573	569	750	689	632	599	598
		SHC	265	346	426	502	532	278	377	475	562	569	291	408	522	599	598
		LDB	65.06	59.89	54.82	49.92	47.90	67.46	62.45	57.50	53.06	52.57	69.17	64.29	59.50	56.27	56.17
		LWB	65.05	59.63	54.27	48.91	42.85	67.38	62.01	56.70	51.29	45.14	69.01	63.69	58.41	52.89	46.84
	KW	42.91	42.24	41.65	41.17	41.00	43.19	42.47	41.84	41.40	41.35	43.39	42.65	42.03	41.69	41.69	
	173	TC	717	657	601	552	534	740	678	621	576	571	756	694	636	602	601
		SHC	267	348	427	504	534	280	379	476	563	571	292	410	524	602	601
LDB		64.97	59.80	54.74	49.84	47.77	67.39	62.38	57.43	52.98	52.45	69.11	64.23	59.44	56.15	56.05	
LWB		64.97	59.55	54.19	48.84	42.79	67.30	61.94	56.64	51.23	45.08	68.95	63.63	58.35	52.84	46.78	
KW	41.75	41.14	40.65	40.25	40.10	42.00	41.35	40.81	40.43	40.39	42.19	41.52	40.96	40.68	40.68		
201	TC	721	659	603	554	536	744	681	623	578	573	760	697	639	604	603	
	SHC	268	349	428	505	536	281	380	477	564	573	294	411	525	604	603	
	LDB	64.90	59.74	54.70	49.79	47.69	67.33	62.33	57.39	52.92	52.36	69.06	64.19	59.40	56.07	55.97	
	LWB	64.90	59.49	54.14	48.79	42.75	67.25	61.89	56.59	51.19	45.04	68.90	63.59	58.32	52.81	46.75	
KW	40.94	40.39	39.96	39.60	39.46	41.17	40.58	40.10	39.76	39.72	41.34	40.73	40.24	40.00	39.99		
105	115	TC	677	621	569	524	512	697	640	587	547	546	711	653	601	573	572
		SHC	253	334	413	489	512	266	365	461	547	546	278	395	508	573	572
		LDB	65.74	60.58	55.55	50.69	49.13	68.02	63.03	58.11	53.76	53.68	69.64	64.78	60.04	57.29	57.19
		LWB	65.72	60.31	54.96	49.60	43.46	67.93	62.57	57.26	51.84	45.67	69.47	64.15	58.87	53.31	47.32
	KW	49.79	48.90	48.13	47.47	47.34	50.11	49.20	48.41	47.85	47.84	50.38	49.46	48.67	48.24	48.23	
	144	TC	685	627	574	528	515	705	647	592	551	550	719	661	607	577	577
		SHC	256	337	416	491	515	268	367	464	551	550	281	398	511	577	577
		LDB	65.60	60.45	55.41	50.56	48.92	67.90	62.91	57.98	53.55	53.49	69.54	64.67	59.92	57.10	57.00
		LWB	65.58	60.18	54.84	49.48	43.36	67.81	62.46	57.16	51.75	45.58	69.37	64.06	58.78	53.24	47.23
	KW	47.90	47.15	46.50	45.97	45.85	48.16	47.40	46.72	46.27	46.23	48.38	47.61	46.94	46.58	46.57	
	173	TC	690	632	577	531	518	710	651	596	555	552	725	666	611	581	580
		SHC	257	338	417	493	518	270	369	466	550	552	283	400	513	581	580
LDB		65.50	60.36	55.32	50.47	48.78	67.82	62.83	57.91	53.62	53.36	69.47	64.61	59.85	56.98	56.88	
LWB		65.48	60.09	54.76	49.41	43.29	67.73	62.38	57.09	51.67	45.52	69.30	63.99	58.73	53.19	47.17	
KW	46.64	45.98	45.43	44.98	44.88	46.87	46.19	45.61	45.23	45.20	47.07	46.38	45.80	45.49	45.48		
201	TC	693	634	579	533	519	714	654	599	557	554	729	669	613	583	582	
	SHC	259	339	418	494	519	271	370	467	551	554	284	401	515	583	582	
	LDB	65.43	60.29	55.27	50.41	48.69	67.77	62.78	57.86	53.55	53.28	69.42	64.56	59.81	56.89	56.79	
	LWB	65.42	60.02	54.70	49.35	43.24	67.68	62.33	57.04	51.63	45.48	69.26	63.95	58.69	53.15	47.13	
KW	45.77	45.18	44.69	44.28	44.20	45.97	45.36	44.86	44.50	44.47	46.15	45.53	45.01	44.74	44.74		

LEGEND

- BF** — Bypass Factor
- EDB** — Entering Dry Bulb (F)
- EWB** — Entering Wet Bulb (F)
- EWT** — Entering Water Temperature (F)
- kW** — Compressor Motor Power Input (kilowatts)
- LDB** — Leaving Dry Bulb (F)
- LWB** — Leaving Wet Bulb (F)
- SHC** — Sensible Capacity (1000 Btu/hr)
- TC** — Total Capacity (1000 Btu/hr)

Performance data (cont)



GROSS COOLING CAPACITIES (cont) 50XJF064 WITH (4) 13 HP COMPRESSORS

EWT (F)	GPM	BF	AIR ENTERING EVAPORATOR — CFM AT 80 F EDB														
			15,200					19,000					23,000				
			Air Entering Evaporator — Ewb (F)														
			77	72	67	62	57	77	72	67	62	57	77	72	67	62	57
0.001	0.055	0.055	0.059	0.181	0.043	0.073	0.072	0.09	0.297	0.071	0.09	0.09	0.138	0.388			
65	130	TC	832	762	697	639	604	862	791	725	669	649	885	813	746	693	685
		SHC	306	389	469	547	604	321	421	519	613	649	335	453	570	673	685
		LDB	62.71	57.42	52.30	47.27	43.59	65.51	60.43	55.42	50.62	48.71	67.54	62.59	57.70	53.32	52.68
	163	LWB	62.71	57.22	51.81	46.45	40.65	65.48	60.05	54.68	49.30	43.25	67.42	62.04	56.71	51.30	45.19
		TC	838	767	701	642	606	869	796	729	672	651	892	819	751	697	689
		SHC	309	391	471	549	606	324	423	521	615	651	337	455	572	676	689
	195	LDB	62.59	57.31	52.18	47.18	43.47	65.42	60.34	55.33	50.52	48.57	67.45	62.51	57.62	53.23	52.54
		LWB	62.59	57.11	51.71	46.36	40.59	65.39	59.96	54.60	49.22	43.18	67.34	61.96	56.64	51.24	45.12
		KW	34.86	33.99	33.27	32.65	32.29	35.27	34.35	33.58	32.98	32.76	35.61	34.66	33.86	33.27	33.19
	228	TC	841	770	703	644	607	873	800	732	674	653	896	823	754	699	691
		SHC	310	392	472	550	607	325	425	523	616	653	339	457	573	677	691
		LDB	62.52	57.24	52.12	47.12	43.39	65.35	60.28	55.27	50.47	48.49	67.40	62.45	57.57	53.18	52.46
75	LWB	62.52	57.04	51.65	46.31	40.55	65.32	59.90	54.55	49.18	43.14	67.28	61.91	56.59	51.19	45.08	
	TC	844	772	705	646	608	876	802	734	676	654	899	825	756	701	693	
	SHC	311	393	473	550	608	326	426	523	617	654	340	458	574	678	693	
85	LDB	62.46	57.19	52.07	47.09	43.34	65.30	60.24	55.23	50.44	48.43	67.36	62.42	57.54	53.15	52.40	
	LWB	62.46	56.99	51.61	46.27	40.52	65.28	59.86	54.51	49.15	43.11	67.25	61.87	56.56	51.17	45.05	
	KW	33.62	32.80	32.11	31.57	31.23	34.03	33.14	32.41	31.85	31.65	34.37	33.44	32.67	32.11	32.04	
65	130	TC	809	741	678	622	591	838	769	705	651	634	860	790	725	674	669
		SHC	298	381	461	539	591	313	413	511	604	634	326	445	561	662	669
		LDB	63.17	57.90	52.78	47.76	44.37	65.89	60.82	55.81	51.04	49.42	67.85	62.91	58.04	53.76	53.34
	163	LWB	63.17	57.69	52.28	46.92	41.06	65.85	60.42	55.06	49.67	43.60	67.72	62.35	57.04	51.62	45.50
		TC	816	746	683	626	593	845	775	710	655	637	867	796	730	678	673
		SHC	301	383	463	541	593	315	415	513	606	637	329	447	563	665	673
	195	LDB	63.04	57.78	52.68	47.66	44.22	65.78	60.71	55.71	50.95	49.27	67.75	62.82	57.95	53.66	53.19
		LWB	63.04	57.57	52.17	46.82	40.98	65.74	60.32	54.98	49.59	43.53	67.63	62.26	56.96	51.55	45.43
		KW	38.02	37.22	36.55	35.98	35.75	38.41	37.56	36.86	36.31	36.09	38.73	37.85	37.10	36.55	36.49
	228	TC	820	750	685	628	595	850	779	713	657	639	872	801	733	681	675
		SHC	302	384	464	542	595	317	417	514	608	639	331	449	565	666	675
		LDB	62.96	57.70	52.60	47.60	44.12	65.71	60.65	55.65	50.89	49.17	67.69	62.76	57.89	53.60	53.09
75	LWB	62.96	57.49	52.10	46.76	40.93	65.67	60.26	54.91	49.54	43.48	67.57	62.21	56.90	51.50	45.38	
	TC	823	752	687	630	596	853	782	715	659	640	876	804	736	683	677	
	SHC	303	385	465	542	596	318	418	515	608	640	332	450	566	667	677	
85	LDB	62.90	57.64	52.55	47.55	44.06	65.66	60.60	55.61	50.84	49.11	67.65	62.72	57.86	53.55	53.02	
	LWB	62.90	57.43	52.05	46.72	40.90	65.62	60.21	54.87	49.50	43.45	67.53	62.17	56.87	51.47	45.35	
	KW	36.52	35.79	35.19	34.72	34.47	36.87	36.09	35.45	34.99	34.82	37.17	36.37	35.68	35.19	35.14	
65	130	TC	784	718	657	603	576	811	745	683	631	618	831	763	700	652	650
		SHC	290	372	451	529	576	304	404	502	594	618	317	435	551	652	650
		LDB	63.67	58.43	53.33	48.32	45.26	66.30	61.24	56.25	51.54	50.21	68.20	63.28	58.43	54.14	54.08
	163	LWB	63.67	58.20	52.81	47.45	41.51	66.25	60.83	55.48	50.10	43.99	68.07	62.71	57.40	51.99	45.86
		TC	791	724	662	607	579	819	751	688	635	621	839	770	706	658	655
		SHC	292	374	454	531	579	307	406	504	596	621	320	437	553	652	655
	195	LDB	63.53	58.30	53.20	48.21	45.09	66.19	61.13	56.14	51.43	50.04	68.10	63.18	58.32	54.17	53.91
		LWB	63.53	58.07	52.69	47.34	41.43	66.14	60.73	55.39	50.01	43.91	67.97	62.61	57.31	51.89	45.78
		KW	41.96	41.26	40.66	40.18	39.97	42.31	41.57	40.95	40.46	40.33	42.57	41.79	41.13	40.66	40.63
	228	TC	795	727	665	610	581	824	755	691	638	623	845	775	710	661	657
		SHC	294	376	455	533	581	308	408	505	598	623	322	439	555	654	657
		LDB	63.45	58.21	53.12	48.13	44.98	66.11	61.06	56.07	51.36	49.94	68.03	63.12	58.26	54.09	53.80
75	LWB	63.45	57.99	52.62	47.27	41.37	66.06	60.66	55.32	49.95	43.86	67.90	62.55	57.26	51.85	45.73	
	TC	798	730	667	611	582	827	758	694	640	625	849	778	713	663	659	
	SHC	295	377	456	533	582	309	409	506	599	625	323	441	556	655	659	
85	LDB	63.38	58.15	53.07	48.08	44.90	66.06	61.01	56.02	51.31	49.86	67.98	63.07	58.22	54.03	53.73	
	LWB	63.38	57.93	52.56	47.22	41.33	66.01	60.61	55.28	49.90	43.82	67.85	62.51	57.22	51.81	45.69	
	KW	40.13	39.48	39.02	38.66	38.51	40.47	39.74	39.24	38.88	38.77	40.73	39.97	39.39	39.02	39.00	

LEGEND

- BF — Bypass Factor
- EDB — Entering Dry Bulb (F)
- EWB — Entering Wet Bulb (F)
- EWT — Entering Water Temperature (F)
- KW — Compressor Motor Power Input (kilowatts)
- LDB — Leaving Dry Bulb (F)
- LWB — Leaving Wet Bulb (F)
- SHC — Sensible Capacity (1000 Btu/hr)
- TC — Total Capacity (1000 Btu/hr)



GROSS COOLING CAPACITIES (cont)
50XJF064 WITH (4) 13 HP COMPRESSORS (cont)

EWT (F)	GPM	BF	AIR ENTERING EVAPORATOR — CFM AT 80 F EDB														
			15,200					19,000					23,000				
			Air Entering Evaporator — Ewb (F)														
			77	72	67	62	57	77	72	67	62	57	77	72	67	62	57
0.001	0.055	0.055	0.059	0.181	0.043	0.073	0.072	0.09	0.297	0.071	0.09	0.09	0.138	0.388			
95	130	TC	756	693	634	583	559	782	718	658	608	599	800	735	674	631	630
		SHC	280	362	441	519	559	294	394	491	582	599	307	424	540	631	630
		LDB	64.21	58.99	53.91	48.93	46.29	66.75	61.71	56.74	52.10	51.11	68.58	63.68	58.85	54.96	54.87
	163	LWB	64.21	58.76	53.38	48.01	42.04	66.68	61.29	55.95	50.57	44.43	68.44	63.09	57.79	52.34	46.23
		KW	48.67	47.79	47.04	46.44	46.13	49.10	48.17	47.38	46.74	46.65	49.35	48.41	47.60	47.05	47.05
		TC	764	699	639	587	562	790	725	663	613	603	808	742	680	636	635
	195	SHC	283	364	444	521	562	297	396	494	584	603	310	427	543	636	635
		LDB	64.07	58.85	53.77	48.81	46.10	66.62	61.59	56.61	51.98	50.92	68.47	63.57	58.73	54.77	54.70
		LWB	64.07	58.62	53.25	47.90	41.94	66.56	61.17	55.85	50.47	44.34	68.33	62.99	57.70	52.26	46.15
	228	KW	46.80	46.07	45.44	44.93	44.69	47.18	46.40	45.72	45.19	45.11	47.39	46.59	45.90	45.46	45.43
		TC	768	703	642	589	564	796	729	667	616	605	814	747	684	639	638
		SHC	284	366	445	522	564	299	398	495	586	605	311	429	544	639	638
105	130	LDB	63.98	58.77	53.69	48.73	45.97	66.54	61.51	56.54	51.90	50.80	68.40	63.50	58.67	54.66	54.59
		LWB	63.98	58.54	53.17	47.83	41.88	66.48	61.10	55.78	50.41	44.28	68.26	62.93	57.64	52.21	46.10
		KW	45.60	44.94	44.41	43.98	43.78	45.95	45.25	44.66	44.21	44.14	46.15	45.42	44.80	44.41	44.40
163	TC	772	706	645	591	566	799	732	670	618	607	818	750	687	641	640	
	SHC	285	367	446	523	566	300	399	496	587	607	313	430	546	641	640	
	LDB	63.91	58.70	53.63	48.67	45.88	66.49	61.46	56.49	51.85	50.71	68.35	63.45	58.62	54.58	54.51	
195	LWB	63.91	58.47	53.11	47.78	41.83	66.43	61.04	55.73	50.36	44.24	68.21	62.88	57.60	52.18	46.06	
	KW	44.71	44.13	43.66	43.27	43.09	45.02	44.40	43.88	43.48	43.42	45.21	44.55	44.01	43.66	43.64	
	TC	727	666	610	560	541	750	688	631	584	578	766	704	646	610	609	
105	130	SHC	270	352	431	508	541	283	383	480	569	578	296	413	528	610	609
		LDB	64.78	59.59	54.53	49.60	47.38	67.23	62.21	57.27	52.72	52.10	68.98	64.09	59.30	55.83	55.73
		LWB	64.78	59.34	53.98	48.61	42.59	67.16	61.78	56.46	51.07	44.91	68.83	63.49	58.20	52.71	46.64
163	KW	54.29	53.34	52.51	51.81	51.49	54.68	53.68	52.82	52.13	52.06	54.96	53.95	53.08	52.58	52.57	
	TC	735	673	615	565	544	759	696	637	589	582	775	712	652	614	614	
	SHC	273	354	433	510	544	286	385	483	571	582	299	416	531	614	614	
195	LDB	64.63	59.45	54.39	49.45	47.18	67.10	62.08	57.13	52.59	51.90	68.87	63.98	59.17	55.65	55.55	
	LWB	64.63	59.20	53.85	48.50	42.49	67.03	61.66	56.35	50.96	44.82	68.72	63.39	58.11	52.63	46.55	
	KW	52.27	51.48	50.78	50.21	49.93	52.61	51.78	51.04	50.47	50.39	52.85	52.00	51.25	50.83	50.82	
228	TC	739	677	618	568	546	764	700	640	592	585	781	717	657	617	616	
	SHC	274	356	435	512	546	288	387	484	573	585	301	418	533	617	616	
	LDB	64.54	59.36	54.30	49.37	47.05	67.02	62.01	57.05	52.51	51.77	68.80	63.91	59.11	55.52	55.43	
105	130	LWB	64.54	59.11	53.76	48.42	42.42	66.95	61.58	56.28	50.90	44.75	68.65	63.33	58.05	52.58	46.50
		KW	50.97	50.27	49.68	49.21	48.95	51.28	50.54	49.90	49.42	49.35	51.50	50.73	50.08	49.72	49.70
		TC	743	680	621	570	548	768	704	643	595	587	786	720	660	619	619
195	SHC	276	357	436	513	548	289	388	485	574	587	302	419	534	619	619	
	LDB	64.47	59.29	54.24	49.31	46.96	66.96	61.95	57.00	52.45	51.67	68.75	63.86	59.06	55.44	55.34	
	LWB	64.47	59.05	53.70	48.36	42.38	66.89	61.52	56.22	50.85	44.71	68.60	63.28	58.01	52.54	46.45	
228	KW	50.01	49.39	48.86	48.44	48.22	50.30	49.63	49.07	48.63	48.57	50.48	49.80	49.22	48.89	48.88	

LEGEND

- | | |
|---|---------------------------------------|
| BF — Bypass Factor | LDB — Leaving Dry Bulb (F) |
| EDB — Entering Dry Bulb (F) | LWB — Leaving Wet Bulb (F) |
| EWB — Entering Wet Bulb (F) | SHC — Sensible Capacity (1000 Btu/hr) |
| EWT — Entering Water Temperature (F) | TC — Total Capacity (1000 Btu/hr) |
| kW — Compressor Motor Power Input (kilowatts) | |

Performance data (cont)



GROSS COOLING CAPACITIES (cont)

50XJB074 WITH (2) 10 HP COMPRESSORS AND (2) 13 HP COMPRESSORS

EWT (F)	GPM	BF	AIR ENTERING EVAPORATOR — CFM AT 80 F EDB														
			15,200					19,000					23,000				
			Air Entering Evaporator — Ewb (F)														
			77	72	67	62	57	77	72	67	62	57	77	72	67	62	57
0.001	0.56	0.056	0.063	0.225	0.053	0.074	0.073	0.101	0.337	0.077	0.091	0.093	0.172	0.423			
65	115	TC	776	712	651	599	573	803	737	676	626	613	822	755	693	647	645
		SHC	287	369	449	527	573	301	401	499	591	613	314	432	548	647	645
		LDB	63.82	58.57	53.47	48.47	45.46	66.43	61.37	56.38	51.69	50.42	68.31	63.39	58.54	54.33	54.27
	144	LWB	63.82	58.35	52.95	47.58	41.62	66.37	60.96	55.61	50.21	44.09	68.17	62.81	57.51	52.07	45.95
		KW	33.19	32.27	31.52	30.91	30.68	33.66	32.64	31.86	31.25	31.11	33.88	32.90	32.10	31.53	31.49
		TC	782	716	655	602	575	809	743	680	629	616	829	761	698	651	649
	173	SHC	289	371	451	528	575	303	403	501	592	616	316	434	550	651	649
		LDB	63.70	58.47	53.38	48.39	45.34	66.34	61.28	56.29	51.60	50.28	68.22	63.31	58.46	54.20	54.14
		LWB	63.70	58.24	52.86	47.50	41.55	66.28	60.87	55.53	50.13	44.03	68.09	62.74	57.43	52.02	45.88
	201	KW	32.07	31.25	30.56	29.99	29.74	32.46	31.60	30.87	30.32	30.17	32.76	31.86	31.09	30.55	30.54
		TC	786	719	658	603	576	813	746	683	631	618	834	765	701	654	651
		SHC	290	372	452	529	576	304	404	502	594	618	318	436	551	649	651
75	115	LDB	63.63	58.40	53.32	48.33	45.25	66.28	61.23	56.24	51.55	50.20	68.17	63.25	58.42	54.29	54.05
		LWB	63.63	58.18	52.80	47.44	41.51	66.22	60.82	55.48	50.09	43.99	68.03	62.69	57.39	51.96	45.84
		KW	31.39	30.60	29.91	29.38	29.14	31.76	30.94	30.22	29.68	29.54	32.05	31.18	30.44	29.92	29.89
	144	TC	788	721	659	605	577	816	748	685	633	619	837	768	703	657	652
		SHC	291	373	452	530	577	305	405	503	594	619	319	436	552	645	652
		LDB	63.58	58.36	53.28	48.29	45.20	66.23	61.19	56.21	51.52	50.15	68.13	63.22	58.38	54.42	54.00
	173	LWB	63.58	58.13	52.76	47.41	41.48	66.18	60.78	55.45	50.06	43.96	68.00	62.65	57.36	51.92	45.82
		KW	30.94	30.14	29.49	28.97	28.74	31.31	30.47	29.77	29.26	29.12	31.61	30.74	29.99	29.48	29.46
		TC	755	692	634	583	560	781	717	657	608	599	798	733	673	631	630
	201	SHC	280	362	441	519	560	293	393	491	582	599	306	424	539	631	630
		LDB	64.24	59.02	53.92	48.94	46.25	66.78	61.73	56.75	52.12	51.10	68.60	63.69	58.86	54.97	54.89
		LWB	64.24	58.78	53.39	48.01	42.02	66.71	61.31	55.97	50.57	44.43	68.46	63.11	57.81	52.34	46.24
85	115	KW	36.24	35.40	34.67	34.17	33.95	36.63	35.77	35.01	34.44	34.36	36.89	35.99	35.21	34.69	34.68
		TC	761	697	638	586	562	787	723	662	612	602	805	740	678	635	634
		SHC	282	364	443	521	562	296	395	493	583	602	309	426	542	635	634
	144	LDB	64.11	58.90	53.82	48.84	46.10	66.67	61.63	56.65	52.03	50.94	68.51	63.61	58.77	54.82	54.74
		LWB	64.11	58.66	53.29	47.92	41.94	66.61	61.21	55.88	50.48	44.35	68.37	63.02	57.73	52.28	46.17
		KW	34.93	34.17	33.54	33.03	32.80	35.30	34.51	33.83	33.30	33.22	35.55	34.71	34.01	33.55	33.53
	173	TC	765	701	641	588	564	792	726	665	615	604	810	744	682	638	636
		SHC	283	365	444	522	564	297	397	494	585	604	310	428	543	638	636
		LDB	64.03	58.83	53.74	48.77	46.00	66.61	61.56	56.59	51.96	50.84	68.45	63.55	58.72	54.72	54.65
	201	LWB	64.03	58.59	53.22	47.86	41.89	66.54	61.15	55.82	50.43	44.30	68.31	62.97	57.68	52.24	46.13
		KW	34.11	33.37	32.77	32.31	32.11	34.44	33.70	33.05	32.56	32.48	34.69	33.90	33.22	32.78	32.77
		TC	768	703	642	590	565	795	729	667	617	606	814	747	684	639	638
85	115	SHC	284	366	445	522	565	298	398	495	586	606	311	429	544	639	638
		LDB	63.98	58.77	53.71	48.73	45.93	66.56	61.52	56.55	51.92	50.77	68.41	63.51	58.68	54.66	54.58
		LWB	63.98	58.54	53.18	47.82	41.86	66.49	61.10	55.78	50.40	44.27	68.27	62.93	57.65	52.21	46.09
	144	KW	33.53	32.83	32.27	31.83	31.63	33.87	33.13	32.52	32.07	32.00	34.11	33.33	32.69	32.27	32.26
		TC	731	671	614	565	545	755	693	635	589	583	771	709	651	614	613
		SHC	272	353	433	510	545	285	384	482	571	583	297	415	530	614	613
	173	LDB	64.70	59.50	54.42	49.46	47.13	67.16	62.13	57.17	52.61	51.89	68.92	64.03	59.22	55.67	55.58
		LWB	64.70	59.25	53.87	48.48	42.46	67.09	61.70	56.37	50.96	44.81	68.77	63.43	58.14	52.64	46.56
		KW	40.10	39.32	38.66	38.16	37.93	40.44	39.63	38.93	38.39	38.33	40.67	39.84	39.12	38.71	38.69
	201	TC	738	676	619	569	548	762	699	641	594	586	779	715	656	618	617
		SHC	274	355	435	512	548	287	387	484	573	586	300	417	532	618	617
		LDB	64.57	59.37	54.30	49.35	46.96	67.05	62.03	57.06	52.51	51.72	68.83	63.94	59.12	55.51	55.41
85	115	LWB	64.57	59.12	53.76	48.39	42.38	66.97	61.59	56.27	50.87	44.73	68.68	63.34	58.06	52.57	46.49
		KW	38.48	37.82	37.27	36.84	36.64	38.79	38.09	37.49	37.05	36.99	38.99	38.27	37.66	37.30	37.29
		TC	742	680	622	571	550	767	704	644	596	589	784	720	660	620	619
	144	SHC	275	357	436	513	550	289	388	486	575	589	302	419	534	620	619
		LDB	64.48	59.29	54.22	49.28	46.84	66.98	61.95	56.99	52.43	51.60	68.76	63.88	59.06	55.41	55.31
		LWB	64.48	59.05	53.69	48.32	42.32	66.90	61.52	56.21	50.82	44.67	68.61	63.29	58.00	52.53	46.44
	173	KW	37.47	36.82	36.34	35.98	35.82	37.80	37.07	36.54	36.16	36.11	38.00	37.26	36.68	36.37	36.36
		TC	745	682	624	573	551	771	706	646	598	590	788	723	663	622	621
		SHC	276	358	437	514	551	290	389	487	576	590	303	420	535	622	621
	201	LDB	64.42	59.24	54.17	49.23	46.76	66.92	61.90	56.95	52.38	51.53	68.72	63.83	59.02	55.33	55.24
		LWB	64.42	58.99	53.64	48.28	42.28	66.85	61.48	56.17	50.78	44.63	68.57	63.25	57.96	52.50	46.40
		KW	36.80	36.14	35.71	35.39	35.24	37.11	36.43	35.89	35.55	35.50	37.31	36.60	36.01	35.73	35.73

LEGEND

- BF — Bypass Factor
- EDB — Entering Dry Bulb (F)
- EWB — Entering Wet Bulb (F)
- EWT — Entering Water Temperature (F)
- KW — Compressor Motor Power Input (kilowatts)
- LDB — Leaving Dry Bulb (F)
- LWB — Leaving Wet Bulb (F)
- SHC — Sensible Capacity (1000 Btu/hr)
- TC — Total Capacity (1000 Btu/hr)



GROSS COOLING CAPACITIES (cont)

50XJB074 WITH (2) 10 HP COMPRESSORS AND (2) 13 HP COMPRESSORS (cont)

EWT (F)	GPM	BF	AIR ENTERING EVAPORATOR — CFM AT 80 F EDB															
			15,200					19,000					23,000					
			Air Entering Evaporator — Ewb (F)															
			77	72	67	62	57	77	72	67	62	57	77	72	67	62	57	
0.001	0.56	0.056	0.063	0.225	0.053	0.074	0.073	0.101	0.337	0.077	0.091	0.093	0.172	0.423				
95	115	TC	706	647	592	545	529	727	667	612	569	565	742	682	627	594	594	
		SHC	263	344	423	500	529	276	375	472	559	565	288	406	520	594	594	
		LDB	65.20	60.02	54.96	50.05	48.08	67.58	62.57	57.63	53.18	52.75	69.27	64.38	59.61	56.44	56.34	
	144	LWB	65.19	59.75	54.39	49.02	42.94	67.49	62.12	56.80	51.39	45.23	69.11	63.78	58.49	52.96	46.92	
		KW	44.69	43.87	43.16	42.60	42.40	45.00	44.14	43.41	42.87	42.83	45.23	44.37	43.63	43.23	43.22	
		TC	713	653	597	549	532	735	674	617	573	569	750	689	632	599	598	
	173	SHC	265	346	426	502	532	278	377	475	562	569	291	408	522	599	598	
		LDB	65.06	59.89	54.82	49.92	47.90	67.46	62.45	57.50	53.06	52.57	69.17	64.29	59.50	56.27	56.17	
		LWB	65.05	59.63	54.27	48.91	42.85	67.38	62.01	56.70	51.29	45.14	69.01	63.69	58.41	52.89	46.84	
	105	115	KW	42.91	42.24	41.65	41.17	41.00	43.19	42.47	41.84	41.40	41.35	43.39	42.65	42.03	41.69	41.69
			TC	717	657	601	552	534	740	678	621	576	571	756	694	636	602	601
			SHC	267	348	427	504	534	280	379	476	563	571	292	410	524	602	601
144		LDB	64.97	59.80	54.74	49.84	47.77	67.39	62.38	57.43	52.98	52.45	69.11	64.23	59.44	56.15	56.05	
		LWB	64.97	59.55	54.19	48.84	42.79	67.30	61.94	56.64	51.23	45.08	68.95	63.63	58.35	52.84	46.78	
		KW	41.75	41.14	40.65	40.25	40.10	42.00	41.35	40.81	40.43	40.39	42.19	41.52	40.96	40.68	40.68	
173		TC	721	659	603	554	536	744	681	623	578	573	760	697	639	604	603	
		SHC	268	349	428	505	536	281	380	477	564	573	294	411	525	604	603	
		LDB	64.90	59.74	54.70	49.79	47.69	67.33	62.33	57.39	52.92	52.36	69.06	64.19	59.40	56.07	55.97	
105		144	LWB	64.90	59.49	54.14	48.79	42.75	67.25	61.89	56.59	51.19	45.04	68.90	63.59	58.32	52.81	46.75
			KW	40.94	40.39	39.96	39.60	39.46	41.17	40.58	40.10	39.76	39.72	41.34	40.73	40.24	40.00	39.99
			TC	677	621	569	524	512	697	640	587	547	546	711	653	601	573	572
	173	SHC	253	334	413	489	512	266	365	461	547	546	278	395	508	573	572	
		LDB	65.74	60.58	55.55	50.69	49.13	68.02	63.03	58.11	53.76	53.68	69.64	64.78	60.04	57.29	57.19	
		LWB	65.72	60.31	54.96	49.60	43.46	67.93	62.57	57.26	51.84	45.67	69.47	64.15	58.87	53.31	47.32	
	105	144	KW	49.79	48.90	48.13	47.47	47.34	50.11	49.20	48.41	47.85	47.84	50.38	49.46	48.67	48.24	48.23
			TC	685	627	574	528	515	705	647	592	551	550	719	661	607	577	577
			SHC	256	337	416	491	515	268	367	464	551	550	281	398	511	577	577
		173	LDB	65.60	60.45	55.41	50.56	48.92	67.90	62.91	57.98	53.55	53.49	69.54	64.67	59.92	57.10	57.00
			LWB	65.58	60.18	54.84	49.48	43.36	67.81	62.46	57.16	51.75	45.58	69.37	64.06	58.78	53.24	47.23
			KW	47.90	47.15	46.50	45.97	45.85	48.16	47.40	46.72	46.27	46.23	48.38	47.61	46.94	46.58	46.57
201		TC	690	632	577	531	518	710	651	596	555	552	725	666	611	581	580	
		SHC	257	338	417	493	518	270	369	466	550	552	283	400	513	581	580	
		LDB	65.50	60.36	55.32	50.47	48.78	67.82	62.83	57.91	53.62	53.36	69.47	64.61	59.85	56.98	56.88	
105		173	LWB	65.48	60.09	54.76	49.41	43.29	67.73	62.38	57.09	51.67	45.52	69.30	63.99	58.73	53.19	47.17
			KW	46.64	45.98	45.43	44.98	44.88	46.87	46.19	45.61	45.23	45.20	47.07	46.38	45.80	45.49	45.48
			TC	693	634	579	533	519	714	654	599	557	554	729	669	613	583	582
	201	SHC	259	339	418	494	519	271	370	467	551	554	284	401	515	583	582	
		LDB	65.43	60.29	55.27	50.41	48.69	67.77	62.78	57.86	53.55	53.28	69.42	64.56	59.81	56.89	56.79	
		LWB	65.42	60.02	54.70	49.35	43.24	67.68	62.33	57.04	51.63	45.48	69.26	63.95	58.69	53.15	47.13	
	105	201	KW	45.77	45.18	44.69	44.28	44.20	45.97	45.36	44.86	44.50	44.47	46.15	45.53	45.01	44.74	44.74

LEGEND

- BF** — Bypass Factor
- EDB** — Entering Dry Bulb (F)
- EWB** — Entering Wet Bulb (F)
- EWT** — Entering Water Temperature (F)
- kW** — Compressor Motor Power Input (kilowatts)
- LDB** — Leaving Dry Bulb (F)
- LWB** — Leaving Wet Bulb (F)
- SHC** — Sensible Capacity (1000 Btu/hr)
- TC** — Total Capacity (1000 Btu/hr)

Performance data (cont)



GROSS COOLING CAPACITIES (cont) 50XJC074 WITH (4) 10 HP COMPRESSORS

EWT (F)	GPM	BF	AIR ENTERING EVAPORATOR — CFM AT 80 F EDB															
			15,200					19,000					23,000					
			Air Entering Evaporator — Ewb (F)															
			77	72	67	62	57	77	72	67	62	57	77	72	67	62	57	
0.001	0.055	0.055	0.059	0.181	0.043	0.073	0.072	0.09	0.297	0.071	0.09	0.09	0.138	0.388				
65	130	TC	832	762	697	639	604	862	791	725	669	649	885	813	746	693	685	
		SHC	306	389	469	547	604	321	421	519	613	649	335	453	570	673	685	
		LDB	62.71	57.42	52.30	47.27	43.59	65.51	60.43	55.42	50.62	48.71	67.54	62.59	57.70	53.32	52.68	
	163	LWB	62.71	57.22	51.81	46.45	40.65	65.48	60.05	54.68	49.30	43.25	67.42	62.04	56.71	51.30	45.19	
		KW	36.04	35.09	34.28	33.66	33.29	36.53	35.46	34.70	33.98	33.75	36.79	35.79	34.95	34.29	34.21	
		TC	838	767	701	642	606	869	796	729	672	651	892	819	751	697	689	
	195	SHC	309	391	471	549	606	324	423	521	615	651	337	455	572	676	689	
		LDB	62.59	57.31	52.18	47.18	43.47	65.42	60.34	55.33	50.52	48.57	67.45	62.51	57.62	53.23	52.54	
		LWB	62.59	57.11	51.71	46.36	40.59	65.39	59.96	54.60	49.22	43.18	67.34	61.96	56.64	51.24	45.12	
	75	130	KW	34.86	33.99	33.27	32.65	32.29	35.27	34.35	33.58	32.98	32.76	35.61	34.66	33.86	33.27	33.19
			TC	841	770	703	644	607	873	800	732	674	653	896	823	754	699	691
			SHC	310	392	472	550	607	325	425	523	616	653	339	457	573	677	691
163		LDB	62.52	57.24	52.12	47.12	43.39	65.35	60.28	55.27	50.47	48.49	67.40	62.45	57.57	53.18	52.46	
		LWB	62.52	57.04	51.65	46.31	40.55	65.32	59.90	54.55	49.18	43.14	67.28	61.91	56.59	51.19	45.08	
		KW	34.14	33.30	32.59	32.02	31.68	34.53	33.66	32.90	32.31	32.11	34.86	33.96	33.17	32.59	32.51	
195		TC	844	772	705	646	608	876	802	734	676	654	899	825	756	701	693	
		SHC	311	393	473	550	608	326	426	523	617	654	340	458	574	678	693	
		LDB	62.46	57.19	52.07	47.09	43.34	65.30	60.24	55.23	50.44	48.43	67.36	62.42	57.54	53.15	52.40	
85		130	LWB	62.46	56.99	51.61	46.27	40.52	65.28	59.86	54.51	49.15	43.11	67.25	61.87	56.56	51.17	45.05
			KW	33.62	32.80	32.11	31.57	31.23	34.03	33.14	32.41	31.85	31.65	34.37	33.44	32.67	32.11	32.04
			TC	809	741	678	622	591	838	769	705	651	634	860	790	725	674	669
	163	SHC	298	381	461	539	591	313	413	511	604	634	326	445	561	662	669	
		LDB	63.17	57.90	52.78	47.76	44.37	65.89	60.82	55.81	51.04	49.42	67.85	62.91	58.04	53.76	53.34	
		LWB	63.17	57.69	52.28	46.92	41.06	65.85	60.42	55.06	49.67	43.60	67.72	62.35	57.04	51.62	45.50	
	195	KW	39.41	38.53	37.78	37.23	36.97	39.83	38.92	38.10	37.56	37.36	40.18	39.22	38.38	37.78	37.74	
		TC	816	746	683	626	593	845	775	710	655	637	867	796	730	678	673	
		SHC	301	383	463	541	593	315	415	513	606	637	329	447	563	665	673	
	95	130	LDB	63.04	57.78	52.68	47.66	44.22	65.78	60.71	55.71	50.95	49.27	67.75	62.82	57.95	53.66	53.19
			LWB	63.04	57.57	52.17	46.82	40.98	65.74	60.32	54.98	49.59	43.53	67.63	62.26	56.96	51.55	45.43
			KW	38.02	37.22	36.55	35.98	35.75	38.41	37.56	36.86	36.31	36.09	38.73	37.85	37.10	36.55	36.49
163		TC	820	750	685	628	595	850	779	713	657	639	872	801	733	681	675	
		SHC	302	384	464	542	595	317	417	514	608	639	331	449	565	666	675	
		LDB	62.96	57.70	52.60	47.60	44.12	65.71	60.65	55.65	50.89	49.17	67.69	62.76	57.89	53.60	53.09	
195		LWB	62.96	57.49	52.10	46.76	40.93	65.67	60.26	54.91	49.54	43.48	67.57	62.21	56.90	51.50	45.38	
		KW	37.16	36.39	35.76	35.25	34.99	37.52	36.72	36.04	35.54	35.36	37.82	37.00	36.27	35.76	35.70	
		TC	823	752	687	630	596	853	782	715	659	640	876	804	736	683	677	
105		130	SHC	303	385	465	542	596	318	418	515	608	640	332	450	566	667	677
			LDB	62.90	57.64	52.55	47.55	44.06	65.66	60.60	55.61	50.84	49.11	67.65	62.72	57.86	53.55	53.02
			LWB	62.90	57.43	52.05	46.72	40.90	65.62	60.21	54.87	49.50	43.45	67.53	62.17	56.87	51.47	45.35
	163	KW	36.52	35.79	35.19	34.72	34.47	36.87	36.09	35.45	34.99	34.82	37.17	36.37	35.68	35.19	35.14	
		TC	784	718	657	603	576	811	745	683	631	618	831	763	700	652	650	
		SHC	290	372	451	529	576	304	404	502	594	618	317	435	551	652	650	
	195	LDB	63.67	58.43	53.33	48.32	45.26	66.30	61.24	56.25	51.54	50.21	68.20	63.28	58.43	54.14	54.08	
		LWB	63.67	58.20	52.81	47.45	41.51	66.25	60.83	55.48	50.10	43.99	68.07	62.71	57.40	51.99	45.86	
		KW	43.67	42.83	42.13	41.57	41.31	44.07	43.22	42.49	41.89	41.76	44.36	43.46	42.68	42.11	42.09	
	115	130	TC	791	724	662	607	579	819	751	688	635	621	839	770	706	658	655
			SHC	292	374	454	531	579	307	406	504	596	621	320	437	553	652	655
			LDB	63.53	58.30	53.20	48.21	45.09	66.19	61.13	56.14	51.43	50.04	68.10	63.18	58.32	54.17	53.91
163		LWB	63.53	58.07	52.69	47.34	41.43	66.14	60.73	55.39	50.01	43.91	67.97	62.61	57.31	51.89	45.78	
		KW	41.96	41.26	40.66	40.18	39.97	42.31	41.57	40.95	40.46	40.33	42.57	41.79	41.13	40.66	40.63	
		TC	795	727	665	610	581	824	755	691	638	623	845	775	710	661	657	
195		SHC	294	376	455	533	581	308	408	505	598	623	322	439	555	654	657	
		LDB	63.45	58.21	53.12	48.13	44.98	66.11	61.06	56.07	51.36	49.94	68.03	63.12	58.26	54.09	53.80	
		LWB	63.45	57.99	52.62	47.27	41.37	66.06	60.66	55.32	49.95	43.86	67.90	62.55	57.26	51.85	45.73	
125		130	KW	40.87	40.23	39.71	39.31	39.14	41.24	40.52	39.96	39.55	39.43	41.51	40.72	40.12	39.71	39.68
			TC	798	730	667	611	582	827	758	694	640	625	849	778	713	663	659
			SHC	295	377	456	533	582	309	409	506	599	625	323	441	556	655	659
	163	LDB	63.38	58.15	53.07	48.08	44.90	66.06	61.01	56.02	51.31	49.86	67.98	63.07	58.22	54.03	53.73	
		LWB	63.38	57.93	52.56	47.22	41.33	66.01	60.61	55.28	49.90	43.82	67.85	62.51	57.22	51.81	45.69	
		KW	40.13	39.48	39.02	38.66	38.51	40.47	39.74	39.24	38.88	38.77	40.73	39.97	39.39	39.02	39.00	

LEGEND

- BF — Bypass Factor
- EDB — Entering Dry Bulb (F)
- EWB — Entering Wet Bulb (F)
- EWT — Entering Water Temperature (F)
- KW — Compressor Motor Power Input (kilowatts)
- LDB — Leaving Dry Bulb (F)
- LWB — Leaving Wet Bulb (F)
- SHC — Sensible Capacity (1000 Btu/hr)
- TC — Total Capacity (1000 Btu/hr)



GROSS COOLING CAPACITIES (cont)
50XJC074 WITH (4) 10 HP COMPRESSORS (cont)

EWT (F)	GPM	BF	AIR ENTERING EVAPORATOR — CFM AT 80 F EDB														
			15,200					19,000					23,000				
			Air Entering Evaporator — Ewb (F)														
			77	72	67	62	57	77	72	67	62	57	77	72	67	62	57
0.001	0.055	0.055	0.059	0.181	0.043	0.073	0.072	0.09	0.297	0.071	0.09	0.09	0.138	0.388			
95	130	TC	756	693	634	583	559	782	718	658	608	599	800	735	674	631	630
		SHC	280	362	441	519	559	294	394	491	582	599	307	424	540	631	630
		LDB	64.21	58.99	53.91	48.93	46.29	66.75	61.71	56.74	52.10	51.11	68.58	63.68	58.85	54.96	54.87
	163	LWB	64.21	58.76	53.38	48.01	42.04	66.68	61.29	55.95	50.57	44.43	68.44	63.09	57.79	52.34	46.23
		KW	48.67	47.79	47.04	46.44	46.13	49.10	48.17	47.38	46.74	46.65	49.35	48.41	47.60	47.05	47.05
		TC	764	699	639	587	562	790	725	663	613	603	808	742	680	636	635
	195	SHC	283	364	444	521	562	297	396	494	584	603	310	427	543	636	635
		LDB	64.07	58.85	53.77	48.81	46.10	66.62	61.59	56.61	51.98	50.92	68.47	63.57	58.73	54.77	54.70
		LWB	64.07	58.62	53.25	47.90	41.94	66.56	61.17	55.85	50.47	44.34	68.33	62.99	57.70	52.26	46.15
	228	KW	46.80	46.07	45.44	44.93	44.69	47.18	46.40	45.72	45.19	45.11	47.39	46.59	45.90	45.46	45.43
		TC	768	703	642	589	564	796	729	667	616	605	814	747	684	639	638
		SHC	284	366	445	522	564	299	398	495	586	605	311	429	544	639	638
105	130	LDB	63.98	58.77	53.69	48.73	45.97	66.54	61.51	56.54	51.90	50.80	68.40	63.50	58.67	54.66	54.59
		LWB	63.98	58.54	53.17	47.83	41.88	66.48	61.10	55.78	50.41	44.28	68.26	62.93	57.64	52.21	46.10
		KW	45.60	44.94	44.41	43.98	43.78	45.95	45.25	44.66	44.21	44.14	46.15	45.42	44.80	44.41	44.40
163	TC	772	706	645	591	566	799	732	670	618	607	818	750	687	641	640	
	SHC	285	367	446	523	566	300	399	496	587	607	313	430	546	641	640	
	LDB	63.91	58.70	53.63	48.67	45.88	66.49	61.46	56.49	51.85	50.71	68.35	63.45	58.62	54.58	54.51	
195	LWB	63.91	58.47	53.11	47.78	41.83	66.43	61.04	55.73	50.36	44.24	68.21	62.88	57.60	52.18	46.06	
	KW	44.71	44.13	43.66	43.27	43.09	45.02	44.40	43.88	43.48	43.42	45.21	44.55	44.01	43.66	43.64	
	TC	727	666	610	560	541	750	688	631	584	578	766	704	646	610	609	
105	130	SHC	270	352	431	508	541	283	383	480	569	578	296	413	528	610	609
		LDB	64.78	59.59	54.53	49.60	47.38	67.23	62.21	57.27	52.72	52.10	68.98	64.09	59.30	55.83	55.73
		LWB	64.78	59.34	53.98	48.61	42.59	67.16	61.78	56.46	51.07	44.91	68.83	63.49	58.20	52.71	46.64
163	KW	54.29	53.34	52.51	51.81	51.49	54.68	53.68	52.82	52.13	52.06	54.96	53.95	53.08	52.58	52.57	
	TC	735	673	615	565	544	759	696	637	589	582	775	712	652	614	614	
	SHC	273	354	433	510	544	286	385	483	571	582	299	416	531	614	614	
195	LDB	64.63	59.45	54.39	49.45	47.18	67.10	62.08	57.13	52.59	51.90	68.87	63.98	59.17	55.65	55.55	
	LWB	64.63	59.20	53.85	48.50	42.49	67.03	61.66	56.35	50.96	44.82	68.72	63.39	58.11	52.63	46.55	
	KW	52.27	51.48	50.78	50.21	49.93	52.61	51.78	51.04	50.47	50.39	52.85	52.00	51.25	50.83	50.82	
228	TC	739	677	618	568	546	764	700	640	592	585	781	717	657	617	616	
	SHC	274	356	435	512	546	288	387	484	573	585	301	418	533	617	616	
	LDB	64.54	59.36	54.30	49.37	47.05	67.02	62.01	57.05	52.51	51.77	68.80	63.91	59.11	55.52	55.43	
105	130	LWB	64.54	59.11	53.76	48.42	42.42	66.95	61.58	56.28	50.90	44.75	68.65	63.33	58.05	52.58	46.50
		KW	50.97	50.27	49.68	49.21	48.95	51.28	50.54	49.90	49.42	49.35	51.50	50.73	50.08	49.72	49.70
		TC	743	680	621	570	548	768	704	643	595	587	786	720	660	619	619
195	SHC	276	357	436	513	548	289	388	485	574	587	302	419	534	619	619	
	LDB	64.47	59.29	54.24	49.31	46.96	66.96	61.95	57.00	52.45	51.67	68.75	63.86	59.06	55.44	55.34	
	LWB	64.47	59.05	53.70	48.36	42.38	66.89	61.52	56.22	50.85	44.71	68.60	63.28	58.01	52.54	46.45	
228	KW	50.01	49.39	48.86	48.44	48.22	50.30	49.63	49.07	48.63	48.57	50.48	49.80	49.22	48.89	48.88	

LEGEND

- | | |
|--|--|
| BF — Bypass Factor | LDB — Leaving Dry Bulb (F) |
| EDB — Entering Dry Bulb (F) | LWB — Leaving Wet Bulb (F) |
| EWB — Entering Wet Bulb (F) | SHC — Sensible Capacity (1000 Btu/hr) |
| EWT — Entering Water Temperature (F) | TC — Total Capacity (1000 Btu/hr) |
| kW — Compressor Motor Power Input (kilowatts) | |

Performance data (cont)



GROSS COOLING CAPACITIES (cont)

50XJD074 WITH (2) 13 HP COMPRESSORS AND (2) 15 HP COMPRESSORS

EWT (F)	GPM	BF	AIR ENTERING EVAPORATOR — CFM AT 80 F EDB														
			15,200					19,000					23,000				
			Air Entering Evaporator — Ewb (F)														
			77	72	67	62	57	77	72	67	62	57	77	72	67	62	57
0.001	0.053	0.055	0.056	0.132	0.027	0.072	0.071	0.081	0.253	0.063	0.089	0.088	0.118	0.347			
65	140	TC	894	819	749	686	640	931	853	782	719	690	957	879	806	746	730
		SHC	329	412	493	571	640	345	445	544	639	690	359	478	595	704	730
		LDB	61.44	56.08	50.91	45.87	41.41	64.43	59.32	54.28	49.38	46.72	66.63	61.66	56.73	52.13	50.92
	175	LWB	61.44	55.91	50.48	45.11	39.51	64.43	58.97	53.58	48.21	42.25	66.55	61.14	55.80	50.40	44.33
		KW	39.27	39.60	38.78	38.04	37.52	41.33	40.08	39.17	38.42	38.11	41.71	40.44	39.48	38.75	38.55
		TC	900	824	753	689	642	938	859	787	723	693	964	885	811	750	733
	210	SHC	331	414	494	573	642	348	448	546	641	693	362	480	597	706	733
		LDB	61.31	55.96	50.81	45.78	41.27	64.32	59.19	54.18	49.29	46.58	66.54	61.56	56.64	52.05	50.78
		LWB	61.31	55.79	50.37	45.02	39.44	64.32	58.87	53.49	48.13	42.18	66.46	61.05	55.71	50.33	44.26
	245	KW	39.27	38.33	37.54	36.88	36.41	39.80	38.78	37.92	37.24	36.94	40.16	39.12	38.22	37.55	37.36
		TC	904	827	755	691	644	943	863	790	725	694	970	889	815	753	736
		SHC	333	416	496	574	644	349	450	547	643	694	363	482	599	707	736
75	140	LDB	61.23	55.88	50.74	45.71	41.18	64.25	59.12	54.12	49.23	46.50	66.47	61.50	56.59	51.99	50.68
		LWB	61.23	55.72	50.31	44.96	39.39	64.25	58.80	53.42	48.07	42.14	66.39	61.00	55.66	50.28	44.22
		KW	38.38	37.50	36.73	36.11	35.68	38.89	37.92	37.11	36.44	36.16	39.24	38.25	37.40	36.74	36.55
175	TC	907	829	757	693	645	946	866	792	727	696	973	892	817	755	737	
	SHC	334	417	496	574	645	351	451	548	643	696	365	483	600	708	737	
	LDB	61.17	55.83	50.69	45.67	41.12	64.19	59.07	54.07	49.19	46.44	66.43	61.46	56.55	51.96	50.63	
210	LWB	61.17	55.66	50.26	44.92	39.36	64.19	58.75	53.38	48.04	42.11	66.35	60.95	55.62	50.25	44.19	
	KW	37.78	36.89	36.16	35.57	35.17	38.28	37.33	36.53	35.89	35.62	38.62	37.65	36.80	36.17	36.00	
	TC	871	797	729	668	626	904	830	760	699	674	929	854	783	726	713	
75	140	SHC	320	404	484	562	626	336	436	535	630	674	350	468	585	693	713
		LDB	61.92	56.59	51.43	46.40	42.27	64.85	59.75	54.71	49.84	47.48	66.98	62.01	57.10	52.56	51.58
		LWB	61.92	56.40	50.98	45.62	39.96	64.84	59.39	54.01	48.64	42.64	66.89	61.49	56.14	50.74	44.66
175	KW	44.61	43.68	42.89	42.24	41.78	45.10	44.04	43.22	42.55	42.30	45.50	44.42	43.54	42.89	42.73	
	TC	877	803	734	672	628	912	836	766	704	677	938	861	789	731	717	
	SHC	323	406	486	564	628	339	439	537	632	677	353	471	588	695	717	
210	LDB	61.78	56.46	51.31	46.29	42.11	64.73	59.63	54.61	49.74	47.32	66.88	61.91	57.00	52.47	51.43	
	LWB	61.78	56.27	50.86	45.51	39.88	64.72	59.27	53.90	48.54	42.56	66.79	61.39	56.05	50.66	44.58	
	KW	43.00	42.11	41.37	40.82	40.43	43.45	42.49	41.69	41.08	40.86	43.82	42.82	41.99	41.38	41.22	
85	140	TC	882	807	737	675	630	917	840	769	707	680	943	866	793	734	719
		SHC	324	407	487	565	630	341	440	538	633	680	354	473	589	697	719
		LDB	61.69	56.37	51.23	46.21	42.00	64.64	59.56	54.54	49.67	47.21	66.81	61.84	56.94	52.40	51.33
175	LWB	61.69	56.19	50.78	45.44	39.82	64.64	59.20	53.84	48.48	42.50	66.72	61.33	56.00	50.61	44.53	
	KW	41.94	41.12	40.43	39.87	39.54	42.37	41.50	40.73	40.13	39.91	42.70	41.79	41.01	40.43	40.28	
	TC	885	809	739	676	631	921	844	772	709	681	947	869	796	736	721	
210	SHC	326	408	488	566	631	342	442	540	634	681	356	474	591	698	721	
	LDB	61.63	56.31	51.17	46.16	41.92	64.58	59.49	54.48	49.63	47.14	66.76	61.80	56.89	52.35	51.26	
	LWB	61.63	56.13	50.73	45.39	39.78	64.58	59.14	53.79	48.44	42.46	66.67	61.28	55.95	50.57	44.50	
85	140	KW	41.20	40.41	39.77	39.26	38.91	41.63	40.77	40.05	39.50	39.30	41.95	41.06	40.31	39.77	39.63
		TC	844	773	707	648	610	875	803	736	678	656	899	826	758	703	694
		SHC	311	394	474	552	610	326	426	524	619	656	340	458	575	680	694
175	LDB	62.47	57.17	52.02	47.01	43.21	65.31	60.22	55.19	50.36	48.35	67.36	62.41	57.51	53.05	52.35	
	LWB	62.47	56.97	51.56	46.21	40.46	65.29	59.84	54.47	49.10	43.07	67.26	61.86	56.53	51.14	45.03	
	KW	49.58	48.63	47.80	47.12	46.70	50.03	49.05	48.17	47.48	47.23	50.43	49.40	48.53	47.80	47.71	
210	TC	851	779	712	652	613	883	810	742	683	660	908	834	764	708	698	
	SHC	313	396	476	554	613	329	429	527	621	660	343	461	578	683	698	
	LDB	62.32	57.01	51.88	46.88	43.04	65.18	60.09	55.07	50.25	48.17	67.25	62.30	57.40	52.95	52.16	
85	140	LWB	62.32	56.82	51.43	46.09	40.37	65.16	59.72	54.36	49.00	42.98	67.15	61.76	56.43	51.05	44.94
		KW	47.64	46.83	46.15	45.56	45.20	48.02	47.16	46.44	45.87	45.64	48.36	47.47	46.73	46.14	46.07
		TC	856	783	715	655	615	889	815	746	686	662	914	839	769	711	701
175	SHC	315	398	478	555	615	331	430	529	623	662	345	463	579	685	701	
	LDB	62.21	56.92	51.79	46.80	42.92	65.09	60.01	55.00	50.17	48.05	67.17	62.23	57.33	52.87	52.05	
	LWB	62.21	56.73	51.34	46.01	40.31	65.07	59.65	54.29	48.93	42.92	67.07	61.69	56.37	50.99	44.88	
210	KW	46.36	45.63	45.03	44.54	44.22	46.68	45.93	45.28	44.78	44.59	46.99	46.21	45.53	45.02	44.95	
	TC	860	786	718	657	616	893	818	748	688	664	918	842	772	714	703	
	SHC	317	399	479	556	616	332	432	530	624	664	346	464	581	686	703	
85	140	LDB	62.14	56.85	51.73	46.74	42.84	65.03	59.95	54.94	50.12	47.96	67.12	62.18	57.28	52.82	51.97
		LWB	62.14	56.66	51.28	45.95	40.26	65.01	59.59	54.23	48.88	42.88	67.02	61.64	56.32	50.95	44.84
		KW	45.43	44.77	44.24	43.81	43.52	45.78	45.03	44.46	44.02	43.86	46.09	45.29	44.68	44.24	44.17

LEGEND

- BF — Bypass Factor
- EDB — Entering Dry Bulb (F)
- EWB — Entering Wet Bulb (F)
- EWT — Entering Water Temperature (F)
- KW — Compressor Motor Power Input (kilowatts)
- LDB — Leaving Dry Bulb (F)
- LWB — Leaving Wet Bulb (F)
- SHC — Sensible Capacity (1000 Btu/hr)
- TC — Total Capacity (1000 Btu/hr)



GROSS COOLING CAPACITIES (cont)

50XJD074 WITH (2) 13 HP COMPRESSORS AND (2) 15 HP COMPRESSORS (cont)

EWT (F)	GPM	BF	AIR ENTERING EVAPORATOR — CFM AT 80 F EDB														
			15,200					19,000					23,000				
			Air Entering Evaporator — Ewb (F)														
			77	72	67	62	57	77	72	67	62	57	77	72	67	62	57
0.001	0.053	0.055	0.056	0.132	0.027	0.072	0.071	0.081	0.253	0.063	0.089	0.088	0.118	0.347			
95	140	TC	814	745	682	625	593	844	774	710	654	637	866	795	730	677	672
		SHC	300	383	462	540	593	315	415	513	607	637	329	447	563	665	672
		LDB	63.07	57.79	52.69	47.67	44.24	65.80	60.72	55.72	50.93	49.29	67.77	62.84	57.97	53.63	53.21
	175	LWB	63.07	57.59	52.19	46.84	40.99	65.76	60.33	54.98	49.60	43.54	67.65	62.28	56.96	51.57	45.44
		KW	55.26	54.23	53.34	52.59	52.21	55.75	54.71	53.77	53.04	52.77	56.15	55.06	54.09	53.33	53.28
		TC	822	752	688	630	596	853	782	716	660	641	876	804	736	683	677
	210	SHC	303	385	465	543	596	318	418	516	609	641	332	450	566	669	677
		LDB	62.91	57.64	52.54	47.53	44.05	65.66	60.59	55.59	50.81	49.09	67.65	62.72	57.84	53.51	53.02
		LWB	62.91	57.44	52.05	46.71	40.89	65.63	60.21	54.86	49.49	43.44	67.53	62.17	56.86	51.47	45.35
	245	KW	53.13	52.27	51.54	50.90	50.57	53.55	52.65	51.89	51.28	51.04	53.91	52.96	52.15	51.53	51.46
		TC	827	757	691	633	598	858	787	720	663	643	882	809	741	687	680
		SHC	305	387	467	544	598	320	420	518	611	643	334	452	568	671	680
105	140	LDB	62.80	57.54	52.44	47.44	43.92	65.57	60.51	55.51	50.73	48.97	67.57	62.64	57.77	53.42	52.89
		LWB	62.80	57.34	51.95	46.63	40.82	65.54	60.13	54.78	49.42	43.38	67.46	62.09	56.79	51.41	45.29
		KW	51.73	50.97	50.33	49.79	49.52	52.10	51.30	50.63	50.11	49.90	52.42	51.59	50.86	50.32	50.27
175	TC	831	760	694	635	600	863	790	723	665	645	886	813	744	689	682	
	SHC	306	388	468	545	600	322	421	519	612	645	335	453	569	672	682	
	LDB	62.72	57.46	52.37	47.38	43.83	65.50	60.44	55.45	50.67	48.88	67.51	62.59	57.72	53.36	52.80	
210	LWB	62.72	57.26	51.89	46.57	40.78	65.48	60.07	54.72	49.37	43.33	67.40	62.04	56.74	51.36	45.25	
	KW	50.72	50.03	49.47	49.01	48.75	51.05	50.33	49.73	49.29	49.10	51.36	50.59	49.95	49.47	49.42	
	TC	782	716	655	601	574	810	744	681	628	616	829	762	699	651	649	
105	140	SHC	289	371	451	528	574	304	403	501	593	616	317	434	550	651	649
		LDB	63.70	58.46	53.37	48.38	45.40	66.32	61.27	56.29	51.57	50.29	68.21	63.30	58.45	54.21	54.14
		LWB	63.70	58.24	52.85	47.50	41.59	66.27	60.86	55.51	50.15	44.03	68.08	62.73	57.42	52.02	45.89
175	KW	61.61	60.47	59.48	58.64	58.20	62.17	61.01	59.98	59.09	58.95	62.50	61.32	60.26	59.46	59.45	
	TC	791	723	661	606	577	819	752	688	634	620	839	771	706	656	654	
	SHC	292	374	453	531	577	307	406	504	596	620	320	438	553	656	654	
210	LDB	63.54	58.30	53.21	48.23	45.18	66.17	61.12	56.14	51.43	50.08	68.09	63.17	58.32	53.99	53.94	
	LWB	63.54	58.08	52.71	47.37	41.47	66.13	60.72	55.39	50.03	43.93	67.96	62.61	57.32	51.93	45.79	
	KW	59.30	58.38	57.54	56.82	56.47	59.78	58.83	57.97	57.23	57.06	60.09	59.10	58.20	57.54	57.49	
105	140	TC	796	728	665	609	580	825	757	692	637	623	846	776	711	661	657
		SHC	294	376	455	533	580	309	408	506	598	623	322	440	555	653	657
		LDB	63.43	58.19	53.11	48.13	45.03	66.08	61.03	56.05	51.34	49.95	68.01	63.09	58.24	54.13	53.81
210	LWB	63.43	57.98	52.61	47.28	41.40	66.04	60.64	55.30	49.96	43.86	67.88	62.54	57.25	51.84	45.73	
	KW	57.80	56.96	56.25	55.64	55.35	58.22	57.36	56.63	55.99	55.84	58.50	57.60	56.81	56.26	56.20	
	TC	800	731	668	611	582	830	760	695	640	625	851	780	714	663	660	
105	140	SHC	295	377	456	534	582	310	410	507	599	625	324	441	557	657	660
		LDB	63.35	58.12	53.05	48.07	44.93	66.01	60.97	55.99	51.28	49.85	67.95	63.04	58.19	53.97	53.71
		LWB	63.35	57.91	52.54	47.22	41.34	65.97	60.58	55.25	49.90	43.82	67.83	62.48	57.20	51.81	45.68
210	KW	56.70	55.96	55.33	54.79	54.54	57.08	56.32	55.66	55.12	54.97	57.35	56.54	55.83	55.33	55.29	

LEGEND

- BF** — Bypass Factor
- EDB** — Entering Dry Bulb (F)
- EWB** — Entering Wet Bulb (F)
- EWT** — Entering Water Temperature (F)
- kW** — Compressor Motor Power Input (kilowatts)
- LDB** — Leaving Dry Bulb (F)
- LWB** — Leaving Wet Bulb (F)
- SHC** — Sensible Capacity (1000 Btu/hr)
- TC** — Total Capacity (1000 Btu/hr)

Performance data (cont)



GROSS COOLING CAPACITIES (cont) 50XJE074 WITH (4) 15 HP COMPRESSORS

EWT (F)	GPM	BF	AIR ENTERING EVAPORATOR — CFM AT 80 F EDB														
			15,200					19,000					23,000				
			Air Entering Evaporator — Ewb (F)														
			77	72	67	62	57	77	72	67	62	57	77	72	67	62	57
0.001	0.051	0.054	0.054	0.095	0.018	0.07	0.071	0.076	0.211	0.052	0.088	0.087	0.106	0.31			
65	150	TC	952	871	796	729	676	995	912	836	767	726	1024	941	863	795	771
		SHC	350	434	515	593	666	367	469	567	664	726	382	501	619	730	771
		LDB	60.23	54.81	49.63	44.57	39.87	63.43	58.23	53.18	48.24	44.96	65.77	60.76	55.81	51.09	49.26
	188	LWB	60.23	54.68	49.23	43.87	38.34	63.43	57.93	52.52	47.16	41.36	65.72	60.28	54.91	49.54	43.52
		KW	45.33	44.16	43.25	42.42	41.82	46.04	44.77	43.80	42.93	42.41	46.42	45.17	44.10	43.29	43.00
		TC	959	876	801	732	679	1002	918	841	771	729	1033	948	869	800	775
	225	SHC	353	437	517	595	667	370	472	570	666	729	385	504	622	733	775
		LDB	60.08	54.67	49.51	44.44	39.76	63.31	58.11	53.08	48.14	44.81	65.65	60.65	55.71	51.00	49.10
		LWB	60.08	54.54	49.11	43.77	38.25	63.31	57.82	52.41	47.06	41.28	65.60	60.17	54.81	49.45	43.44
	263	KW	43.71	42.68	41.81	41.08	40.54	44.31	43.24	42.31	41.53	41.07	44.75	43.63	42.63	41.84	41.59
		TC	963	880	804	734	681	1007	922	844	774	731	1039	953	873	803	778
		SHC	354	438	518	596	669	372	473	571	667	731	387	506	623	734	778
75	LDB	59.99	54.58	49.43	44.37	39.69	63.23	58.04	53.01	48.07	44.72	65.58	60.59	55.65	50.94	49.00	
	LWB	59.99	54.46	49.03	43.71	38.20	63.23	57.75	52.35	47.00	41.23	65.53	60.11	54.75	49.40	43.39	
	KW	42.68	41.72	40.90	40.21	39.71	43.27	42.23	41.38	40.64	40.19	43.71	42.61	41.69	40.94	40.69	
150	TC	966	883	806	736	682	1011	925	847	776	733	1043	956	875	805	779	
	SHC	355	439	519	597	669	373	474	572	668	733	389	507	624	735	779	
	LDB	59.92	54.52	49.37	44.32	39.64	63.17	57.99	52.96	48.03	44.65	65.53	60.54	55.60	50.89	48.94	
188	LWB	59.92	54.40	48.98	43.66	38.16	63.17	57.70	52.30	46.96	41.20	65.48	60.06	54.71	49.36	43.36	
	KW	41.98	41.03	40.24	39.59	39.13	42.52	41.54	40.69	40.00	39.57	42.95	41.91	41.00	40.27	40.04	
	TC	926	848	776	710	659	967	887	812	746	710	995	914	838	774	753	
225	SHC	341	425	505	583	659	358	459	557	653	710	372	491	609	719	753	
	LDB	60.76	55.36	50.19	45.14	40.27	63.87	58.70	53.66	48.73	45.73	66.15	61.15	56.20	51.53	49.98	
	LWB	60.76	55.22	49.77	44.41	38.91	63.87	58.39	52.98	47.62	41.75	66.09	60.66	55.29	49.92	43.87	
263	KW	49.86	48.84	47.96	47.23	46.69	50.47	49.37	48.44	47.65	47.25	50.88	49.73	48.76	47.99	47.74	
	TC	934	854	781	714	664	976	894	818	751	714	1004	922	845	779	757	
	SHC	343	427	507	585	657	361	462	560	656	714	375	494	611	722	757	
75	LDB	60.60	55.21	50.05	45.02	40.39	63.73	58.56	53.54	48.62	45.56	66.03	61.03	56.10	51.42	49.81	
	LWB	60.60	55.07	49.64	44.30	38.75	63.73	58.26	52.87	47.52	41.66	65.97	60.55	55.19	49.82	43.79	
	KW	47.95	46.94	46.21	45.60	45.17	48.55	47.49	46.61	45.97	45.61	48.92	47.84	46.88	46.23	46.03	
150	TC	939	858	784	717	666	981	899	822	754	716	1010	927	849	782	760	
	SHC	345	429	509	587	658	363	464	562	657	716	377	496	613	724	760	
	LDB	60.50	55.12	49.97	44.94	40.30	63.64	58.48	53.46	48.54	45.45	65.95	60.96	56.04	51.36	49.70	
188	LWB	60.50	54.98	49.56	44.22	38.68	63.64	58.17	52.79	47.45	41.61	65.89	60.48	55.13	49.76	43.74	
	KW	46.75	45.86	45.08	44.54	44.18	47.31	46.34	45.52	44.86	44.55	47.67	46.65	45.80	45.10	44.91	
	TC	942	861	786	719	667	985	902	825	756	718	1015	931	852	785	762	
225	SHC	346	430	510	588	659	364	465	563	658	718	379	498	614	725	762	
	LDB	60.43	55.05	49.91	44.88	40.24	63.58	58.41	53.40	48.49	45.38	65.89	60.91	55.98	51.31	49.62	
	LWB	60.43	54.91	49.50	44.16	38.64	63.57	58.11	52.73	47.40	41.57	65.83	60.42	55.08	49.72	43.70	
263	KW	45.90	45.04	44.32	43.78	43.47	46.43	45.51	44.72	44.09	43.78	46.77	45.81	44.98	44.34	44.15	
	TC	899	823	753	689	642	935	858	786	722	693	962	884	811	750	733	
	SHC	330	414	494	573	642	347	448	546	641	693	361	480	597	706	733	
85	LDB	61.34	55.98	50.81	45.77	41.30	64.36	59.21	54.19	49.28	46.59	66.56	61.58	56.65	52.03	50.78	
	LWB	61.34	55.81	50.38	45.02	39.45	64.36	58.89	53.50	48.14	42.19	66.49	61.07	55.72	50.33	44.27	
	KW	55.54	54.48	53.53	52.76	52.13	56.11	54.96	53.98	53.15	52.83	56.55	55.37	54.37	53.54	53.31	
150	TC	907	830	758	694	645	945	866	793	728	696	972	893	818	755	738	
	SHC	333	417	497	575	645	350	451	549	644	696	364	483	600	709	738	
	LDB	61.17	55.81	50.67	45.63	41.09	64.21	59.07	54.05	49.16	46.40	66.43	61.46	56.53	51.91	50.60	
188	LWB	61.17	55.66	50.24	44.89	39.34	64.21	58.75	53.37	48.02	42.09	66.36	60.95	55.61	50.23	44.18	
	KW	53.29	52.38	51.62	50.97	50.48	53.80	52.81	52.00	51.30	51.02	54.18	53.15	52.28	51.63	51.42	
	TC	912	834	762	697	647	951	871	797	731	699	979	898	823	759	741	
225	SHC	335	419	499	576	647	352	453	551	646	699	367	485	602	711	741	
	LDB	61.07	55.71	50.57	45.55	40.96	64.11	58.98	53.97	49.08	46.29	66.35	61.38	56.46	51.84	50.48	
	LWB	61.07	55.56	50.14	44.81	39.27	64.11	58.67	53.29	47.95	42.03	66.28	60.88	55.54	50.17	44.12	
263	KW	51.85	51.05	50.37	49.81	49.41	52.30	51.44	50.70	50.10	49.85	52.62	51.72	50.97	50.38	50.19	
	TC	916	837	764	699	649	955	875	800	734	701	984	902	826	762	743	
	SHC	337	420	500	577	649	354	454	552	647	701	368	487	603	713	743	
85	LDB	60.99	55.64	50.50	45.48	40.86	64.05	58.91	53.91	49.02	46.20	66.29	61.32	56.40	51.78	50.40	
	LWB	60.99	55.48	50.07	44.75	39.22	64.05	58.60	53.23	47.89	41.99	66.22	60.82	55.49	50.12	44.08	
	KW	50.79	50.05	49.46	48.98	48.63	51.23	50.42	49.75	49.22	49.01	51.52	50.68	49.98	49.46	49.30	

LEGEND

- BF — Bypass Factor
- EDB — Entering Dry Bulb (F)
- EWB — Entering Wet Bulb (F)
- EWT — Entering Water Temperature (F)
- KW — Compressor Motor Power Input (kilowatts)
- LDB — Leaving Dry Bulb (F)
- LWB — Leaving Wet Bulb (F)
- SHC — Sensible Capacity (1000 Btu/hr)
- TC — Total Capacity (1000 Btu/hr)



COOLING CAPACITIES (cont)
50XJE074 WITH (4) 15 HP COMPRESSORS (cont)

EWT (F)	GPM	BF	AIR ENTERING EVAPORATOR — CFM AT 80 F EDB														
			15,200					19,000					23,000				
			Air Entering Evaporator — Ewb (F)														
			77	72	67	62	57	77	72	67	62	57	77	72	67	62	57
0.001	0.051	0.054	0.054	0.095	0.018	0.07	0.071	0.076	0.211	0.052	0.088	0.087	0.106	0.31			
95	150	TC	868	795	727	666	623	901	827	758	697	672	927	852	782	723	711
		SHC	319	403	483	561	623	335	435	534	629	672	349	468	584	692	711
		LDB	61.97	56.64	51.49	46.47	42.43	64.88	59.79	54.76	49.89	47.60	67.01	62.04	57.14	52.59	51.66
		LWB	61.97	56.46	51.04	45.70	40.05	64.88	59.43	54.05	48.68	42.70	66.92	61.51	56.17	50.79	44.69
	KW	61.97	60.80	59.75	58.86	58.19	62.50	61.29	60.21	59.32	58.95	62.99	61.74	60.66	59.74	59.58	
	188	TC	877	802	733	671	627	911	836	765	703	676	937	861	789	729	716
		SHC	323	406	486	563	627	339	439	537	632	676	353	471	588	695	716
		LDB	61.79	56.47	51.32	46.32	42.21	64.73	59.64	54.61	49.75	47.39	66.87	61.92	57.00	52.46	51.46
		LWB	61.79	56.29	50.88	45.55	39.93	64.73	59.28	53.92	48.56	42.59	66.79	61.39	56.06	50.68	44.60
	KW	59.52	58.55	57.70	56.94	56.39	64.99	59.99	58.06	57.31	57.01	60.40	59.33	58.41	57.70	57.52	
	225	TC	882	807	737	674	629	918	841	769	706	679	944	867	794	733	719
		SHC	325	408	487	565	629	341	441	539	633	679	355	473	590	698	719
LDB		61.68	56.36	51.22	46.22	42.06	64.63	59.54	54.52	49.66	47.25	66.79	61.83	56.92	52.37	51.33	
LWB		61.68	56.18	50.78	45.46	39.86	64.63	59.19	53.83	48.49	42.52	66.70	61.31	55.98	50.61	44.54	
KW	57.94	57.10	56.36	55.72	55.24	58.36	57.46	56.66	56.02	55.76	58.71	57.79	56.97	56.36	56.18		
263	TC	886	810	740	676	631	923	845	772	709	681	949	871	797	736	722	
	SHC	326	409	489	566	631	342	442	540	635	681	357	475	591	699	722	
	LDB	61.60	56.28	51.15	46.15	41.97	64.56	59.47	54.46	49.60	47.15	66.72	61.77	56.87	52.31	51.24	
	LWB	61.60	56.11	50.71	45.39	39.80	64.56	59.13	53.77	48.43	42.47	66.64	61.26	55.93	50.56	44.49	
KW	56.78	56.01	55.38	54.83	54.39	57.17	56.33	55.64	55.07	54.86	57.51	56.64	55.91	55.38	55.21		
105	150	TC	834	764	699	640	604	865	794	728	670	649	889	817	749	694	687
		SHC	307	390	470	548	604	323	423	521	615	649	336	455	571	676	687
		LDB	62.67	57.37	52.26	47.24	43.60	65.45	60.37	55.35	50.54	48.68	67.47	62.53	57.65	53.22	52.64
		LWB	62.67	57.17	51.77	46.43	40.66	65.43	60.00	54.63	49.27	43.24	67.37	61.99	56.67	51.29	45.17
	KW	69.03	67.73	66.56	65.53	64.91	69.65	68.33	67.12	66.11	65.73	70.19	68.81	67.58	66.54	66.45	
	188	TC	843	772	705	645	607	876	803	735	676	654	900	827	757	700	692
		SHC	311	393	473	551	607	326	426	524	618	654	340	458	575	680	692
		LDB	62.48	57.18	52.06	47.07	43.37	65.29	60.21	55.20	50.39	48.46	67.34	62.39	57.50	53.08	52.42
		LWB	62.48	56.99	51.61	46.28	40.54	65.28	59.84	54.49	49.14	43.13	67.24	61.86	56.55	51.18	45.06
	KW	66.42	65.33	64.36	63.49	62.94	66.94	65.84	64.85	63.99	63.63	67.40	66.25	65.20	64.35	64.25	
	225	TC	849	777	709	649	610	882	808	740	680	657	907	833	762	705	696
		SHC	313	395	475	552	610	329	428	526	620	657	342	461	577	682	696
LDB		62.35	57.07	51.95	46.97	43.23	65.19	60.12	55.12	50.30	48.31	67.25	62.31	57.42	52.98	52.27	
LWB		62.35	56.88	51.50	46.19	40.46	65.18	59.75	54.40	49.06	43.05	67.15	61.77	56.47	51.10	44.99	
KW	64.76	63.78	62.93	62.19	61.71	65.19	64.21	63.33	62.60	62.30	65.59	64.60	63.68	62.93	62.84		
263	TC	854	780	712	651	612	887	813	743	682	659	912	837	766	708	698	
	SHC	314	397	476	554	612	330	430	527	621	659	344	462	578	684	698	
	LDB	62.27	56.98	51.87	46.90	43.12	65.11	60.05	55.05	50.23	48.21	67.18	62.25	57.36	52.91	52.17	
	LWB	62.27	56.80	51.42	46.11	40.41	65.10	59.68	54.34	49.00	43.00	67.09	61.72	56.41	51.05	44.94	
KW	63.50	62.64	61.89	61.24	60.80	63.91	63.00	62.23	61.59	61.33	64.28	63.36	62.55	61.88	61.81		

LEGEND

- | | |
|--|--|
| BF — Bypass Factor | LDB — Leaving Dry Bulb (F) |
| EDB — Entering Dry Bulb (F) | LWB — Leaving Wet Bulb (F) |
| EWB — Entering Wet Bulb (F) | SHC — Sensible Capacity (1000 Btu/hr) |
| EWT — Entering Water Temperature (F) | TC — Total Capacity (1000 Btu/hr) |
| kW — Compressor Motor Power Input (kilowatts) | |

Performance data (cont)



GROSS COOLING CAPACITIES (cont) 50XJA084 WITH (4) 13 HP COMPRESSORS

EWT (F)	GPM	BF	AIR ENTERING EVAPORATOR — CFM AT 80 F EDB															
			19,300					24,000					29,000					
			Air Entering Evaporator — Ewb (F)															
			77	72	67	62	57	77	72	67	62	57	77	72	67	62	57	
0.033	0.056	0.055	0.069	0.284	0.059	0.073	0.073	0.126	0.388	0.08	0.089	0.095	0.237	0.469				
65	130	TC	897	822	754	694	674	923	847	777	723	717	942	866	796	754	753	
		SHC	334	437	538	636	674	350	475	598	709	717	365	513	658	754	753	
		LDB	65.19	60.01	54.94	50.01	47.99	67.53	62.50	57.54	53.09	52.60	69.21	64.32	59.52	56.28	56.18	
	163	TC	904	829	758	698	676	931	854	783	727	721	950	873	802	759	758	
		SHC	336	440	540	638	676	352	477	601	711	721	368	516	661	759	758	
		LDB	65.08	59.90	54.84	49.93	47.87	67.44	62.42	57.46	52.99	52.46	69.13	64.25	59.45	56.14	56.04	
	195	TC	909	832	761	700	678	936	858	786	730	723	956	877	805	761	761	
		SHC	338	441	541	639	678	354	479	602	713	723	370	518	662	761	761	
		LDB	65.01	59.84	54.78	49.87	47.79	67.38	62.36	57.41	52.94	52.38	69.08	64.20	59.40	56.06	55.95	
	75	130	TC	870	798	731	674	658	895	822	754	703	700	913	840	772	735	734
			SHC	325	428	529	626	658	340	466	589	696	700	356	504	648	735	734
			LDB	65.59	60.42	55.36	50.47	48.75	67.86	62.84	57.89	53.56	53.27	69.48	64.60	59.83	56.89	56.80
163		TC	878	805	737	679	661	903	829	760	708	704	922	847	778	740	739	
		SHC	327	430	531	628	661	343	468	591	699	704	359	507	651	740	739	
		LDB	65.47	60.31	55.25	50.37	48.59	67.76	62.75	57.80	53.46	53.11	69.40	64.52	59.74	56.74	56.64	
195		TC	883	809	740	681	663	909	834	764	711	706	928	852	782	743	742	
		SHC	329	432	533	629	663	345	470	593	701	706	361	508	652	743	742	
		LDB	65.40	60.24	55.19	50.31	48.49	67.69	62.68	57.75	53.39	53.02	69.34	64.47	59.70	56.65	56.55	
85		130	TC	841	772	707	652	640	864	794	729	682	681	882	811	746	713	712
			SHC	315	418	518	615	640	330	455	578	682	681	346	494	637	713	712
			LDB	66.04	60.88	55.83	50.98	49.62	68.21	63.22	58.29	54.10	54.01	69.78	64.91	60.18	57.58	57.48
	163	TC	850	779	713	657	643	873	802	735	686	685	891	819	752	718	718	
		SHC	318	421	521	617	643	333	458	581	686	685	349	497	640	718	718	
		LDB	65.91	60.76	55.71	50.87	49.44	68.11	63.11	58.18	53.93	53.84	69.69	64.82	60.08	57.41	57.32	
	195	TC	855	783	716	660	646	879	806	739	689	688	897	824	757	722	721	
		SHC	319	422	523	619	646	335	460	583	689	688	351	499	642	722	721	
		LDB	65.83	60.68	55.64	50.80	49.33	68.04	63.04	58.13	53.82	53.73	69.63	64.77	60.02	57.31	57.21	
	85	130	TC	859	786	719	662	648	883	810	742	691	690	902	828	760	724	723
			SHC	321	423	524	620	648	337	461	584	691	690	352	500	643	724	723
			LDB	65.77	60.63	55.59	50.76	49.24	67.99	63.00	58.08	53.74	53.66	69.59	64.73	59.98	57.23	57.14
163		TC	859	786	719	662	648	883	810	742	691	690	902	828	760	724	723	
		SHC	321	423	524	620	648	337	461	584	691	690	352	500	643	724	723	
		LDB	65.77	60.63	55.59	50.76	49.24	67.99	63.00	58.08	53.74	53.66	69.59	64.73	59.98	57.23	57.14	
228		TC	859	786	719	662	648	883	810	742	691	690	902	828	760	724	723	
		SHC	321	423	524	620	648	337	461	584	691	690	352	500	643	724	723	
		LDB	65.77	60.63	55.59	50.76	49.24	67.99	63.00	58.08	53.74	53.66	69.59	64.73	59.98	57.23	57.14	

LEGEND

- BF — Bypass Factor
- EDB — Entering Dry Bulb (F)
- EWB — Entering Wet Bulb (F)
- EWT — Entering Water Temperature (F)
- kW — Compressor Motor Power Input (kilowatts)
- LDB — Leaving Dry Bulb (F)
- LWB — Leaving Wet Bulb (F)
- SHC — Sensible Capacity (1000 Btu/hr)
- TC — Total Capacity (1000 Btu/hr)



GROSS COOLING CAPACITIES (cont)
50XJA084 WITH (4) 13 HP COMPRESSORS (cont)

EWT (F)	GPM	BF	AIR ENTERING EVAPORATOR — CFM AT 80 F EDB															
			19,300					24,000					29,000					
			Air Entering Evaporator — Ewb (F)															
			77	72	67	62	57	77	72	67	62	57	77	72	67	62	57	
0.033	0.056	0.055	0.069	0.284	0.059	0.073	0.073	0.126	0.388	0.08	0.089	0.095	0.237	0.469				
95	130	TC	810	743	680	629	620	831	764	701	659	658	847	779	716	690	689	
		SHC	304	407	507	602	620	320	444	566	659	658	335	482	624	690	689	
		LDB	66.51	61.37	56.34	51.56	50.57	68.60	63.61	58.72	54.96	54.85	70.09	65.25	60.55	58.31	58.22	
	163	LWB	66.47	61.07	55.74	50.35	44.17	68.48	63.14	57.83	52.35	46.23	69.91	64.61	59.34	53.74	47.79	
		KW	49.70	48.70	47.85	47.17	47.06	50.08	49.07	48.19	47.61	47.60	50.39	49.33	48.41	48.05	48.04	
		TC	818	750	686	634	624	841	772	708	664	663	857	788	723	695	695	
	195	SHC	307	410	510	605	624	323	448	569	664	663	338	486	628	695	695	
		LDB	66.38	61.24	56.21	51.44	50.38	68.48	63.50	58.60	54.77	54.67	70.00	65.15	60.44	58.14	58.05	
		LWB	66.34	60.95	55.63	50.24	44.08	68.37	63.03	57.74	52.27	46.14	69.82	64.52	59.26	53.67	47.71	
	105	130	KW	47.70	46.84	46.11	45.55	45.45	48.02	47.13	46.39	45.91	45.91	48.30	47.38	46.60	46.27	46.27
			TC	824	755	690	637	626	847	777	712	667	666	864	793	728	699	698
			SHC	309	412	512	607	626	325	449	571	667	666	340	488	630	699	698
163		LDB	66.29	61.16	56.14	51.36	50.25	68.41	63.44	58.54	54.65	54.55	69.94	65.09	60.38	58.03	57.94	
		LWB	66.26	60.88	55.55	50.18	44.02	68.31	62.97	57.68	52.22	46.08	69.76	64.47	59.21	53.62	47.66	
		KW	46.41	45.64	44.99	44.51	44.42	46.70	45.91	45.24	44.82	44.81	46.94	46.13	45.43	45.12	45.11	
228		TC	828	758	693	639	628	851	781	715	669	669	869	797	731	701	700	
		SHC	310	413	513	608	628	326	451	573	669	669	342	489	631	701	700	
		LDB	66.23	61.11	56.09	51.30	50.16	68.36	63.39	58.49	54.56	54.46	69.90	65.05	60.34	57.95	57.86	
105		130	LWB	66.20	60.82	55.50	50.13	43.97	68.26	62.92	57.64	52.18	46.04	69.72	64.42	59.17	53.59	47.62
			KW	45.45	44.74	44.17	43.75	43.67	45.73	44.99	44.39	44.02	44.02	45.96	45.20	44.57	44.28	44.28
			TC	776	712	652	604	599	796	732	672	635	635	810	745	685	665	664
	163	SHC	293	395	496	589	599	308	433	554	635	635	323	470	611	665	664	
		LDB	67.01	61.90	56.88	52.20	51.57	68.99	64.03	59.17	55.87	55.76	70.44	65.61	60.95	59.10	59.01	
		LWB	66.96	61.58	56.25	50.85	44.66	68.87	63.54	58.25	52.73	46.66	70.24	64.96	59.70	54.06	48.15	
	195	KW	55.37	54.30	53.37	52.65	52.57	55.78	54.71	53.74	53.14	53.13	56.04	54.93	53.94	53.68	53.67	
		TC	785	719	658	609	603	806	740	678	640	640	820	753	692	670	670	
		SHC	296	399	499	592	603	311	436	557	640	640	326	474	614	670	670	
	228	LDB	66.88	61.75	56.75	52.07	51.38	68.89	63.92	59.05	55.67	55.57	70.34	65.51	60.85	58.92	58.83	
		LWB	66.83	61.46	56.14	50.75	44.57	68.77	63.44	58.16	52.65	46.57	70.15	64.87	59.61	53.99	48.07	
		KW	53.20	52.29	51.50	50.91	50.82	53.55	52.62	51.83	51.30	51.29	53.80	52.82	52.01	51.75	51.74	
105	195	TC	791	724	662	613	605	812	745	683	643	643	827	759	697	674	673	
		SHC	298	400	500	593	605	313	438	559	643	643	329	475	616	674	673	
		LDB	66.79	61.67	56.67	51.98	51.25	68.81	63.85	58.98	55.55	55.45	70.28	65.45	60.79	58.81	58.71	
105	228	LWB	66.75	61.38	56.07	50.68	44.50	68.69	63.37	58.09	52.60	46.51	70.09	64.81	59.56	53.94	48.02	
		KW	51.81	50.99	50.30	49.80	49.71	52.12	51.29	50.59	50.12	50.12	52.35	51.48	50.74	50.50	50.49	
		TC	795	728	665	615	607	817	749	686	646	645	832	763	701	677	676	
105	228	SHC	299	402	501	595	607	315	439	561	646	645	330	477	618	677	676	
		LDB	66.73	61.61	56.62	51.92	51.15	68.76	63.81	58.93	55.46	55.35	70.23	65.41	60.74	58.72	58.63	
		LWB	66.68	61.32	56.01	50.63	44.46	68.64	63.32	58.05	52.56	46.46	70.04	64.77	59.52	53.91	47.98	
105	228	KW	50.77	50.03	49.42	48.97	48.90	51.06	50.30	49.67	49.26	49.26	51.28	50.47	49.81	49.59	49.58	

LEGEND

- | | |
|--|--|
| BF — Bypass Factor | LDB — Leaving Dry Bulb (F) |
| EDB — Entering Dry Bulb (F) | LWB — Leaving Wet Bulb (F) |
| EWB — Entering Wet Bulb (F) | SHC — Sensible Capacity (1000 Btu/hr) |
| EWT — Entering Water Temperature (F) | TC — Total Capacity (1000 Btu/hr) |
| kW — Compressor Motor Power Input (kilowatts) | |

Performance data (cont)



GROSS COOLING CAPACITIES (cont)

50XJB084 WITH (2) 13 HP COMPRESSORS AND (2) 15 HP COMPRESSORS

EWT (F)	GPM	BF	AIR ENTERING EVAPORATOR — CFM AT 80 F EDB														
			19,300					24,000					29,000				
			Air Entering Evaporator — Ewb (F)														
			77	72	67	62	57	77	72	67	62	57	77	72	67	62	57
0.02	0.055	0.054	0.062	0.239	0.052	0.072	0.071	0.101	0.347	0.075	0.088	0.09	0.185	0.432			
65	140	TC	967	887	812	747	716	1000	918	842	778	765	1022	939	862	807	805
		SHC	358	462	563	662	716	375	501	625	740	765	391	540	686	807	805
		LDB	64.11	58.88	53.78	48.78	46.00	66.61	61.56	56.57	51.89	50.77	68.45	63.53	58.68	54.62	54.55
	175	LWB	64.11	58.64	53.24	47.86	41.89	66.54	61.14	55.80	50.40	44.27	68.31	62.96	57.65	52.20	46.08
		KW	41.91	40.65	39.65	38.85	38.53	42.57	41.13	40.07	39.27	39.11	42.94	41.47	40.37	39.69	39.62
		TC	975	893	818	751	719	1008	925	848	783	769	1031	947	869	812	810
	210	SHC	361	465	566	664	719	378	504	627	743	769	394	543	689	812	810
		LDB	63.98	58.77	53.67	48.69	45.86	66.51	61.46	56.48	51.80	50.61	68.36	63.45	58.59	54.47	54.40
		LWB	63.98	58.52	53.14	47.77	41.82	66.44	61.04	55.70	50.32	44.19	68.22	62.87	57.57	52.13	46.01
	245	KW	40.47	39.31	38.37	37.62	37.28	40.91	39.78	38.77	38.00	37.86	41.38	40.14	39.06	38.35	38.33
		TC	980	897	821	754	721	1014	930	852	787	772	1038	953	873	815	813
		SHC	363	466	567	666	721	380	506	629	745	772	396	545	690	815	813
75	LDB	63.90	58.69	53.61	48.62	45.77	66.44	61.39	56.41	51.73	50.51	68.30	63.39	58.54	54.38	54.31	
	LWB	63.90	58.45	53.07	47.72	41.77	66.37	60.98	55.65	50.27	44.14	68.16	62.81	57.52	52.09	45.96	
	KW	39.51	38.41	37.53	36.80	36.47	40.04	38.85	37.91	37.18	37.03	40.41	39.19	38.17	37.52	37.49	
85	140	TC	984	900	823	755	722	1019	934	854	789	774	1042	956	876	817	815
		SHC	364	467	568	667	722	382	507	630	746	774	398	546	692	817	815
		LDB	63.85	58.64	53.56	48.58	45.70	66.39	61.35	56.37	51.68	50.44	68.25	63.34	58.50	54.32	54.25
	175	LWB	63.85	58.40	53.03	47.68	41.74	66.32	60.93	55.61	50.23	44.11	68.12	62.77	57.48	52.07	45.94
		KW	38.87	37.81	36.92	36.23	35.91	39.37	38.26	37.31	36.58	36.45	39.71	38.56	37.57	36.91	36.88
		TC	940	862	789	726	699	969	890	816	756	746	990	910	836	786	785
	210	SHC	349	452	553	652	699	365	491	614	729	746	381	529	675	786	785
		LDB	64.53	59.33	54.23	49.25	46.81	66.98	61.93	56.95	52.34	51.49	68.75	63.84	59.01	55.28	55.18
		LWB	64.53	59.07	53.68	48.30	42.31	66.91	61.51	56.17	50.77	44.62	68.60	63.26	57.95	52.47	46.38
	245	KW	45.82	44.63	43.74	43.03	42.68	46.31	45.09	44.08	43.35	43.25	46.66	45.42	44.36	43.77	43.76
		TC	948	869	795	731	702	979	898	823	761	751	1000	919	843	791	790
		SHC	351	455	556	654	702	368	494	617	731	751	384	533	678	791	790
75	LDB	64.40	59.21	54.12	49.15	46.65	66.86	61.83	56.85	52.23	51.32	68.66	63.75	58.91	55.11	55.02	
	LWB	64.40	58.95	53.57	48.20	42.22	66.79	61.40	56.07	50.68	44.54	68.51	63.17	57.87	52.40	46.30	
	KW	44.09	43.03	42.16	41.48	41.19	44.53	43.44	42.49	41.79	41.68	44.85	43.74	42.76	42.17	42.15	
210	TC	954	873	799	734	705	985	903	827	765	754	1007	925	848	795	794	
	SHC	353	457	557	656	705	370	496	619	733	754	386	535	680	795	794	
	LDB	64.31	59.12	54.05	49.08	46.54	66.79	61.75	56.78	52.16	51.21	68.59	63.69	58.85	55.01	54.92	
245	LWB	64.31	58.87	53.50	48.14	42.16	66.72	61.33	56.01	50.63	44.48	68.44	63.11	57.82	52.36	46.25	
	KW	42.94	41.97	41.16	40.51	40.21	43.39	42.35	41.49	40.82	40.71	43.70	42.63	41.73	41.17	41.16	
	TC	958	876	802	736	706	990	907	830	767	756	1012	929	851	797	796	
85	SHC	355	458	559	657	706	372	497	620	735	756	388	536	682	797	796	
	LDB	64.25	59.07	53.99	49.03	46.46	66.73	61.71	56.74	52.12	51.13	68.54	63.64	58.81	54.93	54.84	
	LWB	64.25	58.81	53.45	48.09	42.13	66.66	61.28	55.96	50.58	44.45	68.40	63.07	57.78	52.33	46.22	
210	KW	42.16	41.23	40.44	39.84	39.56	42.59	41.61	40.76	40.13	40.03	42.89	41.88	41.00	40.45	40.44	
	TC	909	834	763	703	680	936	859	788	732	725	956	879	808	763	762	
	SHC	338	441	542	640	680	354	480	603	715	725	370	518	663	763	762	
140	LDB	65.00	59.82	54.75	49.80	47.69	67.37	62.34	57.38	52.86	52.30	69.08	64.18	59.38	56.00	55.90	
	LWB	64.99	59.55	54.18	48.81	42.75	67.29	61.91	56.58	51.17	45.01	68.92	63.59	58.29	52.78	46.71	
	KW	50.80	49.69	48.75	47.97	47.70	51.21	50.05	49.09	48.34	48.26	51.57	50.37	49.38	48.81	48.80	
85	TC	918	841	770	708	684	946	868	795	737	730	966	888	815	769	768	
	SHC	341	444	545	643	684	357	483	606	718	730	373	521	666	769	768	
	LDB	64.87	59.68	54.61	49.68	47.51	67.25	62.23	57.26	52.74	52.12	68.98	64.08	59.27	55.82	55.72	
210	LWB	64.86	59.42	54.05	48.70	42.66	67.17	61.80	56.47	51.08	44.92	68.82	63.49	58.20	52.70	46.63	
	KW	48.69	47.73	46.92	46.28	46.03	49.06	48.04	47.20	46.58	46.50	49.35	48.32	47.44	46.96	46.95	
	TC	924	846	774	711	687	953	874	800	741	733	973	894	820	773	772	
85	SHC	343	446	547	645	687	359	485	608	720	733	375	524	668	773	772	
	LDB	64.77	59.60	54.53	49.60	47.39	67.17	62.16	57.20	52.66	52.00	68.91	64.02	59.21	55.71	55.60	
	LWB	64.77	59.34	53.97	48.63	42.59	67.10	61.72	56.41	51.02	44.87	68.76	63.43	58.15	52.65	46.58	
245	KW	47.27	46.43	45.72	45.15	44.92	47.61	46.71	45.96	45.40	45.33	47.92	46.95	46.19	45.75	45.74	
	TC	928	850	777	714	688	957	878	803	744	735	979	898	823	775	775	
	SHC	345	448	548	646	688	361	486	609	721	735	377	525	670	775	775	
85	LDB	64.70	59.54	54.47	49.54	47.30	67.12	62.10	57.15	52.60	51.91	68.86	63.98	59.17	55.62	55.52	
	LWB	64.70	59.27	53.92	48.57	42.55	67.04	61.67	56.36	50.97	44.82	68.71	63.39	58.11	52.62	46.54	
	KW	46.35	45.49	44.85	44.35	44.14	46.70	45.76	45.06	44.57	44.50	46.98	46.03	45.26	44.87	44.87	

LEGEND

- BF — Bypass Factor
- EDB — Entering Dry Bulb (F)
- EWB — Entering Wet Bulb (F)
- EWT — Entering Water Temperature (F)
- KW — Compressor Motor Power Input (kilowatts)
- LDB — Leaving Dry Bulb (F)
- LWB — Leaving Wet Bulb (F)
- SHC — Sensible Capacity (1000 Btu/hr)
- TC — Total Capacity (1000 Btu/hr)



GROSS COOLING CAPACITIES (cont)

50XJB084 WITH (2) 13 HP COMPRESSORS AND (2) 15 HP COMPRESSORS (cont)

EWT (F)	GPM	BF	AIR ENTERING EVAPORATOR — CFM AT 80 F EDB														
			19,300					24,000					29,000				
			Air Entering Evaporator — Ewb (F)														
			77	72	67	62	57	77	72	67	62	57	77	72	67	62	57
0.02	0.055	0.054	0.062	0.239	0.052	0.072	0.071	0.101	0.347	0.075	0.088	0.09	0.185	0.432			
95	140	TC	875	802	735	677	660	900	826	758	706	702	918	845	777	738	737
		SHC	326	429	530	627	660	342	467	590	699	702	358	506	649	738	737
		LDB	65.53	60.36	55.31	50.40	48.67	67.80	62.78	57.85	53.46	53.17	69.43	64.55	59.79	56.80	56.70
		LWB	65.51	60.08	54.72	49.35	43.23	67.71	62.34	57.02	51.59	45.43	69.26	63.94	58.65	53.11	47.09
	kW	56.53	55.36	54.34	53.52	53.32	56.96	55.76	54.74	53.97	53.93	57.33	56.11	55.09	54.47	54.46	
	175	TC	884	810	741	682	664	910	835	765	712	707	930	854	784	744	743
		SHC	330	433	533	630	664	345	471	594	702	707	361	509	653	744	743
		LDB	65.38	60.21	55.16	50.27	48.46	67.67	62.66	57.72	53.33	52.98	69.33	64.45	59.67	56.62	56.52
		LWB	65.36	59.94	54.59	49.24	43.13	67.59	62.22	56.91	51.49	45.34	69.16	63.84	58.56	53.04	47.00
	kW	54.24	53.23	52.38	51.68	51.52	54.61	53.56	52.67	52.08	52.01	54.94	53.86	52.96	52.45	52.44	
	210	TC	891	816	746	686	667	917	841	770	716	711	937	860	789	748	747
		SHC	332	435	535	632	667	348	473	596	704	711	364	511	656	748	747
LDB		65.28	60.12	55.08	50.18	48.32	67.59	62.58	57.64	53.24	52.85	69.26	64.38	59.60	56.49	56.39	
LWB		65.27	59.85	54.51	49.16	43.06	67.50	62.14	56.84	51.43	45.28	69.09	63.78	58.50	52.98	46.94	
kW	52.71	51.83	51.07	50.46	50.32	53.03	52.11	51.32	50.78	50.72	53.32	52.37	51.58	51.12	51.12		
245	TC	895	820	749	688	669	922	845	774	718	713	942	865	793	750	750	
	SHC	333	436	536	633	669	349	474	597	706	713	365	513	657	750	750	
	LDB	65.21	60.06	55.02	50.12	48.23	67.53	62.53	57.59	53.18	52.76	69.21	64.33	59.55	56.40	56.30	
	LWB	65.20	59.79	54.45	49.11	43.02	67.45	62.09	56.79	51.39	45.23	69.04	63.73	58.46	52.95	46.90	
kW	51.63	50.81	50.13	49.60	49.46	51.94	51.07	50.35	49.87	49.82	52.19	51.31	50.58	50.17	50.17		
105	140	TC	838	769	704	649	637	861	791	726	679	678	879	808	743	711	710
		SHC	314	417	517	613	637	329	455	577	679	678	345	493	636	711	710
		LDB	66.08	60.93	55.90	51.05	49.76	68.24	63.25	58.34	54.21	54.11	69.80	64.94	60.19	57.66	57.56
		LWB	66.05	60.64	55.30	49.93	43.77	68.14	62.78	57.48	52.03	45.88	69.62	64.31	59.04	53.47	47.49
	kW	62.95	61.69	60.59	59.64	59.47	63.42	62.15	61.02	60.22	60.23	63.82	62.53	61.35	60.78	60.77	
	175	TC	848	777	711	655	641	872	801	734	685	683	890	818	751	717	716
		SHC	317	420	520	616	641	333	458	580	685	683	349	496	640	717	716
		LDB	65.93	60.78	55.75	50.91	49.54	68.12	63.12	58.20	53.99	53.90	69.70	64.83	60.09	57.46	57.37
		LWB	65.90	60.50	55.17	49.81	43.67	68.02	62.67	57.37	51.93	45.78	69.52	64.21	58.94	53.39	47.40
	kW	60.48	59.39	58.46	57.69	57.52	60.88	59.78	58.82	58.20	58.17	61.23	60.10	59.13	58.61	58.59	
	210	TC	855	783	716	659	644	879	807	739	688	687	898	824	757	721	720
		SHC	319	422	522	618	644	335	460	583	688	687	351	499	642	721	720
		LDB	65.83	60.69	55.66	50.82	49.39	68.03	63.05	58.13	53.85	53.77	69.62	64.77	60.02	57.33	57.24
		LWB	65.80	60.41	55.08	49.73	43.59	67.94	62.59	57.30	51.87	45.71	69.45	64.15	58.88	53.33	47.34
	kW	58.83	57.88	57.06	56.39	56.25	59.19	58.22	57.36	56.80	56.78	59.49	58.51	57.65	57.17	57.16	
	245	TC	860	787	719	661	647	884	811	742	691	689	903	829	760	724	723
SHC		321	424	524	620	647	337	462	584	691	689	353	500	643	724	723	
LDB		65.75	60.62	55.59	50.75	49.29	67.98	62.99	58.07	53.75	53.67	69.57	64.72	59.97	57.24	57.15	
LWB		65.73	60.34	55.02	49.68	43.54	67.88	62.53	57.25	51.83	45.67	69.40	64.10	58.84	53.30	47.30	
kW	57.66	56.79	56.05	55.47	55.34	57.99	57.09	56.32	55.82	55.80	58.28	57.35	56.58	56.15	56.14		

LEGEND

- BF** — Bypass Factor
- EDB** — Entering Dry Bulb (F)
- EWB** — Entering Wet Bulb (F)
- EWT** — Entering Water Temperature (F)
- kW** — Compressor Motor Power Input (kilowatts)
- LDB** — Leaving Dry Bulb (F)
- LWB** — Leaving Wet Bulb (F)
- SHC** — Sensible Capacity (1000 Btu/hr)
- TC** — Total Capacity (1000 Btu/hr)

Performance data (cont)



GROSS COOLING CAPACITIES (cont) 50XJC084 WITH (4) 15 HP COMPRESSORS

EWT (F)	GPM	BF	AIR ENTERING EVAPORATOR — CFM AT 80 F EDB														
			19,300					24,000					29,000				
			Air Entering Evaporator — Ewb (F)														
			77	72	67	62	57	77	72	67	62	57	77	72	67	62	57
0.001	0.054	0.054	0.058	0.197	0.044	0.071	0.07	0.088	0.309	0.07	0.087	0.087	0.142	0.389			
65	150	TC	1034	947	867	796	755	1070	983	902	832	809	1097	1009	926	861	853
		SHC	381	486	587	687	755	399	526	650	769	809	416	565	713	842	853
		LDB	63.07	57.79	52.67	47.63	44.15	65.75	60.67	55.65	50.83	49.11	67.72	62.77	57.87	53.53	53.02
		LWB	63.07	57.58	52.16	46.80	40.94	65.71	60.27	54.89	49.51	43.45	67.60	62.21	56.89	51.48	45.35
	KW	46.75	45.38	44.27	43.40	42.87	47.29	45.96	44.88	43.88	43.56	47.80	46.38	45.15	44.25	44.15	
	188	TC	1042	954	873	801	758	1080	991	908	837	813	1109	1018	934	867	859
		SHC	384	489	590	689	758	403	529	653	772	813	420	569	716	846	859
		LDB	62.93	57.66	52.55	47.52	43.99	65.63	60.55	55.54	50.73	48.94	67.61	62.66	57.78	53.42	52.86
		LWB	62.93	57.45	52.04	46.69	40.86	65.59	60.16	54.80	49.42	43.37	67.49	62.12	56.80	51.40	45.27
	KW	44.98	43.81	42.77	41.92	41.48	45.65	44.31	43.25	42.40	42.09	46.13	44.72	43.61	42.75	42.65	
	225	TC	1048	959	877	803	760	1086	996	913	841	816	1116	1024	938	870	862
		SHC	386	491	592	691	760	405	531	655	773	816	422	571	717	848	862
LDB		62.84	57.58	52.45	47.46	43.90	65.55	60.48	55.47	50.67	48.85	67.54	62.60	57.72	53.35	52.76	
LWB		62.84	57.36	51.97	46.63	40.81	65.52	60.09	54.73	49.36	43.32	67.42	62.05	56.74	51.35	45.23	
KW	43.96	42.76	41.80	41.01	40.58	44.55	43.26	42.24	41.46	41.16	45.00	43.70	42.58	41.78	41.69		
263	TC	1052	962	879	806	761	1091	1000	915	843	818	1121	1028	942	873	864	
	SHC	388	492	593	692	761	406	532	656	774	818	424	573	719	850	864	
	LDB	62.77	57.52	52.40	47.40	43.83	65.50	60.43	55.43	50.63	48.77	67.49	62.55	57.68	53.30	52.69	
	LWB	62.77	57.30	51.92	46.58	40.78	65.46	60.04	54.69	49.32	43.28	67.37	62.01	56.70	51.31	45.19	
KW	43.18	42.04	41.11	40.33	39.92	43.74	42.53	41.54	40.76	40.47	44.20	42.92	41.88	41.09	40.99		
75	150	TC	1004	920	843	774	737	1039	954	875	808	790	1063	978	898	836	832
		SHC	371	475	577	676	737	389	515	639	757	790	405	554	701	827	832
		LDB	63.54	58.29	53.17	48.14	44.99	66.14	61.06	56.05	51.29	49.84	68.05	63.11	58.23	54.00	53.71
		LWB	63.54	58.05	52.65	47.28	41.37	66.09	60.65	55.29	49.91	43.81	67.92	62.55	57.23	51.81	45.68
	KW	51.22	49.99	48.97	48.14	47.73	51.84	50.55	49.46	48.61	48.38	52.26	50.90	49.74	48.95	48.90	
	188	TC	1013	928	849	779	741	1049	963	883	814	794	1075	987	906	843	837
		SHC	374	478	579	679	741	392	518	642	760	794	409	558	704	831	837
		LDB	63.39	58.14	53.04	48.02	44.80	66.01	60.94	55.94	51.18	49.66	67.94	63.01	58.13	53.89	53.53
		LWB	63.39	57.92	52.52	47.16	41.28	65.96	60.54	55.18	49.81	43.72	67.81	62.44	57.13	51.72	45.60
	KW	49.19	48.05	47.06	46.35	46.03	49.75	48.58	47.53	46.74	46.54	50.15	48.90	47.82	47.05	46.99	
	225	TC	1019	933	853	782	744	1056	969	887	818	797	1083	994	911	847	841
		SHC	376	480	581	680	744	394	520	644	762	797	411	560	706	833	841
LDB		63.30	58.05	52.96	47.95	44.68	65.93	60.87	55.87	51.10	49.55	67.86	62.93	58.06	53.80	53.42	
LWB		63.30	57.83	52.44	47.09	41.22	65.88	60.46	55.12	49.75	43.67	67.74	62.38	57.07	51.67	45.54	
KW	47.91	46.83	45.95	45.21	44.92	48.45	47.31	46.37	45.62	45.37	48.84	47.65	46.64	45.93	45.87		
263	TC	1024	937	856	785	745	1061	973	890	820	799	1088	998	915	850	843	
	SHC	378	482	582	681	745	396	522	645	763	799	413	562	708	835	843	
	LDB	63.23	57.99	52.91	47.89	44.59	65.87	60.81	55.82	51.05	49.47	67.81	62.88	58.02	53.75	53.34	
	LWB	63.23	57.76	52.38	47.04	41.17	65.82	60.41	55.07	49.70	43.63	67.69	62.33	57.03	51.63	45.51	
KW	46.99	45.98	45.12	44.43	44.11	47.48	46.43	45.53	44.82	44.60	47.87	46.74	45.80	45.10	45.04		
85	150	TC	971	890	815	749	717	1003	921	845	781	768	1026	943	866	809	808
		SHC	359	463	565	664	717	377	502	626	742	768	393	541	687	809	808
		LDB	64.05	58.82	53.72	48.72	45.94	66.57	61.51	56.52	51.82	50.68	68.41	63.49	58.63	54.55	54.46
		LWB	64.05	58.58	53.18	47.81	41.86	66.50	61.09	55.74	50.36	44.22	68.27	62.91	57.60	52.16	46.04
	KW	56.94	55.67	54.61	53.71	53.29	57.54	56.20	55.07	54.15	54.01	57.91	56.55	55.40	54.59	54.59	
	188	TC	981	898	822	755	721	1015	931	853	787	773	1038	954	875	816	814
		SHC	363	467	568	667	721	380	506	630	746	773	397	545	691	816	814
		LDB	63.89	58.68	53.58	48.58	45.73	66.43	61.38	56.39	51.69	50.48	68.29	63.37	58.51	54.35	54.27
		LWB	63.89	58.43	53.05	47.69	41.76	66.37	60.97	55.63	50.25	44.13	68.16	62.80	57.50	52.08	45.95
	KW	54.50	53.41	52.50	51.77	51.41	55.01	53.89	52.90	52.14	52.00	55.34	54.19	53.17	52.49	52.47	
	225	TC	987	904	827	758	724	1022	937	858	791	776	1046	960	880	820	818
		SHC	365	469	570	668	724	383	509	632	748	776	399	548	694	820	818
LDB		63.79	58.58	53.49	48.50	45.60	66.34	61.29	56.31	51.61	50.35	68.22	63.30	58.44	54.23	54.15	
LWB		63.79	58.34	52.96	47.61	41.69	66.28	60.88	55.55	50.19	44.06	68.08	62.73	57.44	52.03	45.89	
KW	52.91	51.95	51.16	50.51	50.20	53.40	52.38	51.52	50.84	50.72	53.71	52.63	51.74	51.14	51.12		
263	TC	992	908	830	761	726	1028	942	862	794	779	1052	965	884	823	820	
	SHC	367	470	571	670	726	385	510	633	750	779	401	549	695	823	820	
	LDB	63.72	58.51	53.43	48.44	45.51	66.27	61.23	56.26	51.55	50.26	68.16	63.25	58.40	54.13	54.06	
	LWB	63.72	58.27	52.90	47.56	41.64	66.22	60.82	55.50	50.14	44.02	68.03	62.68	57.39	51.99	45.85	
KW	51.76	50.89	50.16	49.58	49.31	52.22	51.29	50.49	49.88	49.78	52.54	51.52	50.70	50.13	50.11		

LEGEND

- BF — Bypass Factor
- EDB — Entering Dry Bulb (F)
- EWB — Entering Wet Bulb (F)
- EWT — Entering Water Temperature (F)
- KW — Compressor Motor Power Input (kilowatts)
- LDB — Leaving Dry Bulb (F)
- LWB — Leaving Wet Bulb (F)
- SHC — Sensible Capacity (1000 Btu/hr)
- TC — Total Capacity (1000 Btu/hr)



GROSS COOLING CAPACITIES (cont)
50XJC084 WITH (4) 15 HP COMPRESSORS (cont)

EWT (F)	GPM	BF	AIR ENTERING EVAPORATOR — CFM AT 80 F EDB														
			19,300					24,000					29,000				
			Air Entering Evaporator — Ewb (F)														
			77	72	67	62	57	77	72	67	62	57	77	72	67	62	57
0.001	0.054	0.054	0.058	0.197	0.044	0.071	0.07	0.088	0.309	0.07	0.087	0.087	0.142	0.389			
95	150	TC	935	858	786	722	696	964	886	812	752	743	986	906	833	783	782
		SHC	347	451	552	650	696	364	489	613	727	743	379	528	673	783	782
		LDB	64.59	59.40	54.32	49.34	46.96	67.03	61.99	57.02	52.40	51.63	68.79	63.89	59.07	55.38	55.28
		LWB	64.59	59.14	53.75	48.39	42.38	66.96	61.56	56.23	50.84	44.68	68.64	63.30	57.99	52.52	46.42
	KW	63.44	62.10	60.95	59.99	59.53	63.99	62.58	61.39	60.41	60.29	64.41	62.98	61.76	61.01	61.00	
	188	TC	946	867	793	728	700	976	896	821	759	748	998	917	841	789	788
		SHC	351	454	555	654	700	368	493	617	731	748	384	532	677	789	788
		LDB	64.43	59.24	54.16	49.19	46.75	66.89	61.85	56.88	52.26	51.41	68.67	63.77	58.94	55.18	55.08
		LWB	64.43	58.99	53.61	48.26	42.27	66.82	61.43	56.11	50.72	44.58	68.53	63.19	57.89	52.43	46.33
	KW	60.79	59.64	58.67	57.89	57.48	61.27	60.07	59.03	58.23	58.11	61.62	60.40	59.33	58.69	58.67	
	225	TC	953	872	798	732	703	984	902	826	763	752	1006	924	847	794	792
		SHC	353	456	557	655	703	370	495	619	733	752	386	534	680	794	792
LDB		64.33	59.14	54.07	49.10	46.61	66.80	61.77	56.80	52.18	51.27	68.60	63.69	58.86	55.05	54.95	
LWB		64.33	58.89	53.52	48.18	42.20	66.73	61.35	56.03	50.65	44.51	68.45	63.12	57.83	52.38	46.27	
KW	59.05	58.05	57.21	56.52	56.17	59.50	58.43	57.54	56.82	56.71	59.82	58.72	57.79	57.22	57.20		
263	TC	958	876	801	735	705	990	907	830	766	755	1012	929	851	797	795	
	SHC	355	458	558	657	705	372	497	620	735	755	388	536	682	797	795	
	LDB	64.25	59.07	54.00	49.04	46.51	66.73	61.71	56.74	52.11	51.17	68.54	63.64	58.81	54.95	54.86	
	LWB	64.25	58.82	53.46	48.12	42.15	66.66	61.28	55.97	50.60	44.46	68.40	63.06	57.78	52.34	46.23	
KW	57.80	56.89	56.12	55.51	55.21	58.21	57.25	56.41	55.78	55.69	58.50	57.51	56.65	56.12	56.11		
105	150	TC	897	822	753	692	672	923	848	778	722	717	943	867	797	754	753
		SHC	334	437	538	636	672	350	475	598	709	717	366	514	659	754	753
		LDB	65.18	60.01	54.95	50.02	48.06	67.52	62.50	57.55	53.06	52.62	69.20	64.31	59.50	56.29	56.19
		LWB	65.18	59.74	54.38	49.03	42.93	67.43	62.06	56.73	51.33	45.17	69.04	63.71	58.42	52.90	46.85
	KW	70.67	69.20	67.90	66.77	66.46	71.20	69.70	68.41	67.35	67.27	71.66	70.14	68.80	68.02	68.01	
	188	TC	908	832	761	699	677	935	858	786	729	723	956	878	806	761	760
		SHC	338	441	541	639	677	354	479	602	713	723	370	518	663	761	760
		LDB	65.01	59.84	54.78	49.86	47.84	67.38	62.36	57.40	52.91	52.40	69.07	64.19	59.38	56.08	55.98
		LWB	65.01	59.58	54.23	48.88	42.82	67.30	61.92	56.61	51.21	45.06	68.92	63.59	58.31	52.81	46.75
	KW	67.84	66.59	65.49	64.56	64.25	68.30	67.00	65.87	65.04	64.93	68.69	67.39	66.23	65.55	65.54	
	225	TC	915	838	766	703	680	943	865	792	733	726	964	885	812	765	765
		SHC	340	443	543	641	680	356	482	605	716	726	372	520	665	765	765
		LDB	64.90	59.74	54.69	49.77	47.69	67.28	62.26	57.32	52.81	52.26	69.00	64.11	59.31	55.94	55.83
		LWB	64.90	59.48	54.13	48.80	42.74	67.21	61.84	56.53	51.14	44.99	68.84	63.52	58.24	52.75	46.68
	KW	66.00	64.91	63.94	63.12	62.83	66.39	65.25	64.27	63.51	63.41	66.74	65.58	64.58	63.98	63.97	
	263	TC	920	842	770	706	683	949	870	796	737	729	970	890	816	769	768
SHC		342	445	545	643	683	358	483	606	718	729	375	522	667	769	768	
LDB		64.82	59.66	54.62	49.70	47.58	67.21	62.20	57.26	52.74	52.15	68.94	64.06	59.26	55.83	55.73	
LWB		64.82	59.40	54.06	48.73	42.69	67.14	61.77	56.47	51.09	44.94	68.79	63.47	58.19	52.71	46.64	
KW	64.65	63.65	62.79	62.06	61.79	65.00	63.97	63.07	62.40	62.31	65.32	64.27	63.35	62.82	62.81		

LEGEND

- | | |
|--|--|
| BF — Bypass Factor | LDB — Leaving Dry Bulb (F) |
| EDB — Entering Dry Bulb (F) | LWB — Leaving Wet Bulb (F) |
| EWB — Entering Wet Bulb (F) | SHC — Sensible Capacity (1000 Btu/hr) |
| EWT — Entering Water Temperature (F) | TC — Total Capacity (1000 Btu/hr) |
| kW — Compressor Motor Power Input (kilowatts) | |

Performance data (cont)



GROSS COOLING CAPACITIES (cont)

50XJD084 WITH (2) 13 HP COMPRESSORS AND (2) 20 HP COMPRESSORS

EWT (F)	GPM	BF	AIR ENTERING EVAPORATOR — CFM AT 80 F EDB														
			19,300					24,000					29,000				
			Air Entering Evaporator — Ewb (F)														
			77	72	67	62	57	77	72	67	62	57	77	72	67	62	57
0.001	0.053	0.054	0.056	0.17	0.037	0.071	0.07	0.083	0.284	0.066	0.087	0.086	0.125	0.374			
65	165	TC	1082	991	906	829	780	1123	1030	943	868	838	1154	1060	972	899	887
		SHC	399	503	605	704	780	418	544	668	787	838	435	584	731	865	887
		LDB	62.29	57.00	51.87	46.85	42.95	65.10	60.01	54.99	50.15	48.00	67.16	62.21	57.30	52.82	51.96
	206	LWB	62.29	56.80	51.40	46.05	40.32	65.08	59.64	54.27	48.90	67.06	61.67	56.34	50.96	44.84	
		KW	47.17	45.91	44.88	44.03	43.59	47.68	46.43	45.34	44.47	44.16	46.87	45.74	44.90	44.77	
		TC	1089	996	910	833	782	1131	1036	948	872	841	1162	1067	977	904	891
	248	SHC	401	506	607	705	782	420	546	670	789	841	438	587	734	867	891
		LDB	62.18	56.70	51.31	45.97	40.28	64.98	59.55	54.19	48.83	66.98	61.59	56.27	50.90	44.79	
		KW	45.76	44.62	43.66	42.85	42.36	46.31	45.10	44.10	43.27	42.95	46.87	45.53	44.47	43.65	43.51
	289	TC	1094	1000	913	835	783	1136	1040	951	874	843	1168	1071	981	907	893
		SHC	403	507	608	706	783	422	548	671	790	843	439	588	735	869	893
		LDB	62.11	56.83	51.72	46.73	42.79	64.94	59.87	54.87	50.03	47.81	67.03	62.08	57.19	52.70	51.78
75	165	LWB	62.11	56.64	51.25	45.93	40.24	64.92	59.50	54.14	48.79	66.92	61.55	56.23	50.86	44.75	
		KW	44.88	43.75	42.81	42.06	41.59	45.40	44.23	43.23	42.44	42.14	45.90	44.65	43.59	42.80	42.66
		TC	1097	1002	915	837	784	1139	1043	953	876	844	1172	1074	983	909	894
	206	SHC	404	508	609	707	784	423	549	672	792	844	441	589	736	870	894
		LDB	62.06	56.79	51.68	46.69	42.75	64.90	59.83	54.83	49.99	47.75	66.99	62.05	57.16	52.67	51.73
		KW	44.26	43.16	42.25	41.52	41.05	44.83	43.62	42.65	41.90	41.60	45.30	44.03	43.00	42.24	42.10
	248	TC	1052	963	881	807	763	1091	1001	917	844	819	1121	1029	943	874	865
		SHC	388	492	594	693	763	407	533	657	775	819	424	573	719	851	865
		LDB	62.77	57.29	51.90	46.55	40.75	65.46	60.03	54.67	49.30	43.26	67.37	62.00	56.68	51.30	45.17
	289	LWB	62.77	57.29	51.90	46.55	40.75	65.46	60.03	54.67	49.30	43.26	67.37	62.00	56.68	51.30	45.17
		KW	51.60	50.42	49.43	48.76	48.36	52.14	50.94	49.90	49.14	48.87	52.61	51.36	50.26	49.43	49.35
		TC	1060	969	886	811	765	1100	1008	922	849	822	1130	1036	949	879	869
206	SHC	390	495	596	695	765	409	535	659	778	822	427	576	722	854	869	
	LDB	62.66	57.39	52.27	47.28	43.64	65.39	60.33	55.32	50.51	48.60	67.40	62.47	57.58	53.18	52.52	
	KW	49.90	48.87	47.97	47.22	46.89	50.42	49.31	48.38	47.64	47.37	50.87	49.69	48.72	47.95	47.86	
248	TC	1065	973	889	814	767	1105	1012	926	852	824	1136	1042	954	882	872	
	SHC	392	496	597	696	767	411	537	660	779	824	429	577	724	855	872	
	LDB	62.58	57.32	52.21	47.22	43.56	65.32	60.26	55.26	50.45	48.51	67.34	62.41	57.53	53.12	52.43	
289	LWB	62.58	57.11	51.73	46.40	40.64	65.29	59.88	54.53	49.18	43.15	67.23	61.86	56.56	51.19	45.07	
	KW	48.81	47.80	46.97	46.31	45.93	49.32	48.24	47.34	46.67	46.41	49.72	48.62	47.66	46.95	46.87	
	TC	1068	976	891	815	768	1109	1015	929	854	826	1140	1045	956	885	874	
85	165	SHC	393	498	598	697	768	413	538	662	780	826	430	579	725	857	874
		LDB	62.52	57.27	52.16	47.18	43.50	65.27	60.22	55.22	50.41	48.45	67.30	62.36	57.49	53.08	52.37
		KW	48.04	47.08	46.30	45.67	45.31	48.53	47.49	46.65	46.02	45.77	48.94	47.85	46.95	46.29	46.21
	206	TC	1019	933	853	782	744	1056	969	887	818	797	1083	994	911	847	841
		SHC	376	480	581	680	744	395	520	644	762	797	411	560	706	834	841
		LDB	63.30	58.05	52.96	47.94	44.68	65.92	60.86	55.87	51.10	49.54	67.86	62.93	58.07	53.79	53.42
	248	LWB	63.30	57.83	52.44	47.09	41.22	65.88	60.46	55.11	49.75	43.66	67.74	62.38	57.07	51.67	45.54
		KW	57.16	56.08	55.18	54.47	54.12	57.71	56.57	55.62	54.88	54.67	58.07	56.90	55.91	55.16	55.12
		TC	1027	940	859	787	747	1065	976	894	823	801	1093	1002	918	852	846
	289	SHC	379	483	584	683	747	398	523	647	764	801	414	563	709	837	846
		LDB	63.17	57.93	52.85	47.84	44.53	65.82	60.76	55.77	51.00	49.40	67.76	62.84	57.97	53.68	53.27
		KW	63.17	57.71	52.33	47.00	41.14	65.77	60.36	55.02	49.66	43.59	67.64	62.29	56.99	51.59	45.47
95	165	LWB	55.07	54.16	53.39	52.77	52.50	55.54	54.58	53.77	53.13	52.92	55.89	54.86	54.00	53.37	53.31
		TC	1032	944	862	790	749	1071	981	898	826	804	1099	1008	922	856	849
		SHC	381	485	585	684	749	400	525	648	766	804	417	565	711	839	849
	206	LDB	63.09	57.85	52.77	47.78	44.42	65.74	60.70	55.71	50.94	49.30	67.70	62.78	57.92	53.62	53.18
		LWB	63.09	57.63	52.26	46.93	41.09	65.70	60.30	54.96	49.61	43.55	67.58	62.23	56.93	51.55	45.43
		KW	53.67	52.84	52.17	51.66	51.43	54.19	53.22	52.50	51.96	51.77	54.56	53.49	52.70	52.16	52.11
	248	TC	1036	947	865	791	750	1075	984	900	828	805	1104	1011	925	858	851
		SHC	382	486	586	685	750	401	526	649	767	805	418	566	712	841	851
		LDB	63.03	57.80	52.72	47.73	44.36	65.69	60.65	55.67	50.89	49.24	67.66	62.74	57.88	53.57	53.11
	289	LWB	63.03	57.58	52.21	46.89	41.05	65.65	60.25	54.92	49.57	43.51	67.54	62.19	56.90	51.52	45.39
		KW	52.81	51.94	51.35	50.87	50.66	53.26	52.32	51.63	51.16	50.98	53.62	52.61	51.82	51.34	51.29

LEGEND

- BF — Bypass Factor
- EDB — Entering Dry Bulb (F)
- EWB — Entering Wet Bulb (F)
- EWT — Entering Water Temperature (F)
- KW — Compressor Motor Power Input (kilowatts)
- LDB — Leaving Dry Bulb (F)
- LWB — Leaving Wet Bulb (F)
- SHC — Sensible Capacity (1000 Btu/hr)
- TC — Total Capacity (1000 Btu/hr)



GROSS COOLING CAPACITIES (cont)

50XJD084 WITH (2) 13 HP COMPRESSORS AND (2) 20 HP COMPRESSORS (cont)

EWT (F)	GPM	BF	AIR ENTERING EVAPORATOR — CFM AT 80 F EDB														
			19,300					24,000					29,000				
			Air Entering Evaporator — Ewb (F)														
			77	72	67	62	57	77	72	67	62	57	77	72	67	62	57
0.001	0.053	0.054	0.056	0.17	0.037	0.071	0.07	0.083	0.284	0.066	0.087	0.086	0.125	0.374			
95	165	TC	983	900	823	755	721	1018	933	855	788	773	1041	956	877	817	815
		SHC	364	467	568	667	721	382	507	630	746	773	398	546	692	817	815
		LDB	63.86	58.64	53.56	48.57	45.73	66.39	61.35	56.38	51.67	50.46	68.26	63.34	58.50	54.32	54.24
		LWB	63.86	58.40	53.03	47.68	41.76	66.33	60.94	55.60	50.25	44.12	68.12	62.78	57.48	52.07	45.93
	KW	63.78	62.64	61.68	60.91	60.50	64.35	63.14	62.14	61.30	61.17	64.70	63.46	62.42	61.66	61.65	
	206	TC	992	907	829	760	725	1027	941	861	793	778	1052	965	884	822	820
		SHC	367	470	571	669	725	385	510	633	749	778	401	549	695	822	820
		LDB	63.72	58.51	53.44	48.46	45.56	66.27	61.24	56.26	51.56	50.30	68.16	63.25	58.40	54.16	54.09
		LWB	63.72	58.28	52.91	47.58	41.67	66.22	60.83	55.51	50.16	44.04	68.03	62.69	57.40	52.00	45.86
	KW	61.48	60.53	59.71	59.05	58.73	61.98	60.97	60.09	59.39	59.27	62.27	61.23	60.32	59.69	59.66	
	248	TC	997	912	833	763	727	1034	947	866	797	781	1059	971	888	825	823
		SHC	369	472	572	671	727	387	512	635	751	781	403	552	697	825	823
LDB		63.64	58.43	53.37	48.39	45.45	66.20	61.17	56.20	51.49	50.18	68.09	63.18	58.34	54.05	53.98	
LWB		63.64	58.20	52.84	47.51	41.61	66.15	60.76	55.44	50.09	43.98	67.96	62.62	57.34	51.95	45.81	
KW	59.93	59.08	58.38	57.84	57.55	60.39	59.47	58.71	58.12	58.03	60.67	59.70	58.91	58.36	58.34		
289	TC	1001	915	836	765	729	1038	950	869	799	783	1063	974	892	828	825	
	SHC	370	473	573	672	729	388	513	636	752	783	405	553	698	828	825	
	LDB	63.58	58.37	53.32	48.34	45.37	66.15	61.12	56.15	51.45	50.11	68.05	63.15	58.30	53.97	53.91	
	LWB	63.58	58.14	52.79	47.47	41.57	66.10	60.71	55.39	50.05	43.94	67.92	62.58	57.30	51.92	45.78	
KW	58.86	58.09	57.47	56.97	56.73	59.27	58.45	57.78	57.23	57.14	59.53	58.65	57.94	57.45	57.43		
105	165	TC	945	865	791	726	698	975	894	819	757	747	998	916	840	788	787
		SHC	350	454	554	652	698	367	492	615	730	747	383	531	676	788	787
		LDB	64.45	59.27	54.21	49.24	46.84	66.90	61.88	56.92	52.30	51.48	68.68	63.78	58.98	55.23	55.13
		LWB	64.45	59.01	53.65	48.30	42.32	66.83	61.45	56.13	50.76	44.62	68.53	63.20	57.91	52.45	46.35
	KW	71.23	70.00	68.93	68.05	67.59	71.75	70.45	69.35	68.43	68.32	72.14	70.82	69.69	68.98	68.96	
	206	TC	954	872	797	731	702	985	903	826	762	751	1008	925	847	793	792
		SHC	353	456	557	655	702	371	496	619	733	751	387	535	680	793	792
		LDB	64.31	59.14	54.08	49.12	46.67	66.78	61.76	56.80	52.19	51.31	68.57	63.68	58.86	55.06	54.97
		LWB	64.31	58.89	53.53	48.20	42.23	66.71	61.34	56.03	50.67	44.53	68.43	63.10	57.83	52.38	46.28
	KW	68.74	67.70	66.80	66.06	65.67	69.19	68.10	67.14	66.38	66.26	69.51	68.41	67.42	66.82	66.79	
	248	TC	959	877	801	734	704	992	908	830	766	754	1015	931	852	797	795
		SHC	355	458	559	656	704	373	498	621	735	754	389	537	682	797	795
LDB		64.22	59.05	54.00	49.05	46.55	66.70	61.68	56.73	52.11	51.19	68.51	63.62	58.80	54.95	54.86	
LWB		64.22	58.80	53.45	48.13	42.17	66.64	61.27	55.96	50.61	44.47	68.37	63.04	57.77	52.34	46.23	
KW	67.04	66.13	65.36	64.74	64.39	67.47	66.49	65.66	65.02	64.92	67.75	66.75	65.89	65.36	65.35		
289	TC	964	881	804	737	706	997	912	834	768	756	1020	935	856	799	798	
	SHC	357	460	560	658	706	374	499	622	736	756	391	538	683	799	798	
	LDB	64.16	58.99	53.94	49.00	46.47	66.64	61.63	56.68	52.06	51.11	68.46	63.58	58.75	54.87	54.78	
	LWB	64.16	58.74	53.40	48.08	42.13	66.58	61.21	55.91	50.57	44.43	68.32	63.00	57.73	52.30	46.19	
KW	65.87	65.05	64.37	63.80	63.50	66.26	65.38	64.64	64.05	63.96	66.51	65.61	64.86	64.37	64.35		

LEGEND

- BF** — Bypass Factor
- EDB** — Entering Dry Bulb (F)
- EWB** — Entering Wet Bulb (F)
- EWT** — Entering Water Temperature (F)
- kW** — Compressor Motor Power Input (kilowatts)
- LDB** — Leaving Dry Bulb (F)
- LWB** — Leaving Wet Bulb (F)
- SHC** — Sensible Capacity (1000 Btu/hr)
- TC** — Total Capacity (1000 Btu/hr)

Performance data (cont)



GROSS COOLING CAPACITIES (cont)

50XJE084 WITH (2) 15 HP COMPRESSORS AND (2) 20 HP COMPRESSORS

EWT (F)	GPM	BF	AIR ENTERING EVAPORATOR — CFM AT 80 F EDB														
			19,300					24,000					29,000				
			Air Entering Evaporator — Ewb (F)														
			77	72	67	62	57	77	72	67	62	57	77	72	67	62	57
0.001	0.052	0.054	0.054	0.133	0.023	0.069	0.069	0.077	0.249	0.059	0.086	0.085	0.112	0.342			
65	175	TC	1143	1046	957	876	815	1190	1090	999	917	878	1224	1124	1031	952	930
		SHC	421	526	628	727	815	441	568	692	812	878	459	608	756	894	930
		LDB	61.30	55.96	50.81	45.78	41.30	64.25	59.13	54.11	49.20	46.46	66.46	61.48	56.56	51.93	50.61
		LWB	61.30	55.79	50.36	45.01	39.45	64.25	58.80	53.41	48.05	42.12	66.38	60.97	55.62	50.24	44.18
	KW	51.70	50.38	49.27	48.37	47.75	52.49	50.96	49.79	48.85	48.42	52.85	51.42	50.22	49.26	49.02	
	219	TC	1150	1052	961	879	817	1198	1097	1004	922	881	1233	1132	1037	957	934
		SHC	423	529	630	729	817	444	571	694	815	881	462	611	758	896	934
		LDB	61.19	55.86	50.72	45.69	41.18	64.15	59.03	54.02	49.13	46.34	66.37	61.40	56.48	51.86	50.49
		LWB	61.19	55.68	50.27	44.93	39.39	64.15	58.70	53.33	47.98	42.06	66.29	60.89	55.55	50.18	44.12
	KW	50.07	48.86	47.87	47.02	46.40	50.73	49.43	48.34	47.45	47.06	51.24	49.89	48.74	47.87	47.60	
	263	TC	1155	1056	964	882	819	1203	1102	1008	924	883	1239	1136	1041	960	936
		SHC	425	530	631	730	819	446	572	696	816	883	464	613	760	898	936
LDB		61.11	55.79	50.66	45.64	41.10	64.09	58.97	53.97	49.07	46.26	66.31	61.34	56.43	51.80	50.41	
LWB		61.11	55.61	50.21	44.88	39.35	64.09	58.64	53.27	47.93	42.02	66.23	60.83	55.50	50.14	44.09	
KW	49.05	47.90	46.91	46.12	45.56	49.68	48.46	47.38	46.52	46.15	50.22	48.88	47.77	46.91	46.66		
306	TC	1158	1058	966	883	820	1207	1105	1010	926	885	1243	1140	1043	962	938	
	SHC	426	531	632	731	820	447	574	697	817	885	465	614	761	899	938	
	LDB	61.06	55.74	50.62	45.60	41.05	64.04	58.92	53.93	49.04	46.22	66.27	61.31	56.40	51.76	50.36	
	LWB	61.06	55.57	50.17	44.84	39.32	64.04	58.60	53.24	47.90	42.00	66.19	60.80	55.47	50.11	44.06	
KW	48.37	47.21	46.27	45.52	44.97	49.03	47.76	46.72	45.90	45.56	49.52	48.20	47.10	46.27	46.03		
75	175	TC	1113	1018	931	852	797	1156	1060	971	892	858	1189	1092	1001	925	908
		SHC	409	515	616	715	797	429	555	680	800	858	447	596	743	880	908
		LDB	61.80	56.48	51.34	46.32	42.17	64.68	59.59	54.56	49.67	47.24	66.82	61.85	56.93	52.36	51.30
		LWB	61.80	56.30	50.88	45.54	39.91	64.67	59.22	53.85	48.49	42.52	66.72	61.32	55.98	50.60	44.52
	KW	56.71	55.44	54.47	53.69	53.13	57.30	56.00	54.88	54.08	53.74	57.82	56.47	55.30	54.48	54.28	
	219	TC	1121	1025	936	857	800	1165	1067	977	897	861	1199	1100	1008	931	912
		SHC	412	517	619	717	800	432	559	682	802	861	450	599	746	883	912
		LDB	61.68	56.36	51.23	46.22	42.02	64.57	59.46	54.46	49.59	47.10	66.72	61.76	56.85	52.27	51.16
		LWB	61.68	56.18	50.77	45.44	39.83	64.56	59.12	53.75	48.40	42.45	66.63	61.23	55.90	50.53	44.45
	KW	54.79	53.67	52.73	51.98	51.50	55.35	54.14	53.15	52.31	52.03	55.83	54.57	53.51	52.73	52.48	
	263	TC	1126	1029	940	859	801	1171	1072	981	900	864	1205	1105	1012	934	915
		SHC	414	519	620	719	801	434	561	684	804	864	452	601	748	885	915
LDB		61.59	56.29	51.16	46.15	41.93	64.49	59.39	54.40	49.53	47.01	66.65	61.70	56.79	52.21	51.07	
LWB		61.59	56.10	50.70	45.38	39.79	64.49	59.06	53.69	48.35	42.40	66.56	61.18	55.85	50.48	44.41	
KW	53.57	52.50	51.62	50.87	50.46	54.09	52.96	51.99	51.23	50.94	54.53	53.37	52.35	51.61	51.40		
306	TC	1129	1032	942	861	803	1175	1075	983	902	865	1210	1109	1015	937	917	
	SHC	415	520	621	720	803	436	562	685	805	865	454	603	749	886	917	
	LDB	61.54	56.24	51.12	46.11	41.87	64.44	59.35	54.35	49.49	46.94	66.61	61.66	56.75	52.18	51.01	
	LWB	61.54	56.05	50.65	45.34	39.75	64.44	59.01	53.65	48.31	42.37	66.52	61.14	55.81	50.45	44.38	
KW	52.69	51.68	50.86	50.19	49.71	53.23	52.12	51.21	50.51	50.23	53.68	52.51	51.55	50.85	50.65		
85	175	TC	1077	986	902	826	777	1118	1026	939	864	835	1150	1056	968	895	884
		SHC	397	502	603	702	777	416	542	666	786	835	433	583	730	863	884
		LDB	62.37	57.08	51.95	46.94	43.12	65.15	60.07	55.05	50.20	48.12	67.20	62.25	57.36	52.87	52.07
		LWB	62.37	56.88	51.48	46.13	40.41	65.13	59.69	54.33	48.96	42.95	67.10	61.71	56.39	51.02	44.89
	KW	63.01	61.80	60.78	59.97	59.44	63.56	62.32	61.25	60.42	60.08	64.06	62.80	61.68	60.77	60.68	
	219	TC	1086	993	908	830	780	1128	1034	946	869	839	1160	1065	975	901	888
		SHC	400	505	606	704	780	419	545	669	788	839	437	586	733	867	888
		LDB	62.23	56.95	51.83	46.82	42.96	65.03	59.95	54.95	50.10	47.96	67.10	62.15	57.25	52.77	51.92
		LWB	62.23	56.75	51.36	46.03	40.32	65.01	59.58	54.22	48.87	42.88	67.00	61.62	56.30	50.93	44.82
	KW	60.64	59.65	58.79	58.07	57.63	61.14	60.06	59.17	58.45	58.16	61.58	60.46	59.54	58.77	58.68	
	263	TC	1092	998	911	834	782	1134	1039	950	873	842	1167	1070	980	905	892
		SHC	402	507	607	706	782	422	547	671	790	842	439	588	735	869	892
LDB		62.14	56.86	51.75	46.75	42.86	64.95	59.88	54.88	50.04	47.85	67.03	62.09	57.19	52.70	51.81	
LWB		62.14	56.66	51.28	45.96	40.27	64.94	59.51	54.16	48.82	42.82	66.93	61.56	56.24	50.88	44.77	
KW	59.13	58.20	57.45	56.85	56.48	59.57	58.58	57.78	57.16	56.91	59.94	58.95	58.10	57.44	57.36		
306	TC	1096	1001	914	836	783	1139	1043	953	875	843	1172	1074	983	908	894	
	SHC	403	508	609	707	783	423	549	672	791	843	441	590	736	870	894	
	LDB	62.07	56.80	51.69	46.70	42.79	64.90	59.83	54.83	49.99	47.78	66.98	62.05	57.15	52.65	51.75	
	LWB	62.07	56.61	51.23	45.91	40.23	64.88	59.46	54.11	48.77	42.79	66.89	61.51	56.20	50.84	44.74	
KW	58.04	57.20	56.54	56.00	55.65	58.53	57.54	56.82	56.28	56.05	58.94	57.87	57.11	56.53	56.45		

LEGEND

- BF — Bypass Factor
- EDB — Entering Dry Bulb (F)
- EWB — Entering Wet Bulb (F)
- EWT — Entering Water Temperature (F)
- KW — Compressor Motor Power Input (kilowatts)
- LDB — Leaving Dry Bulb (F)
- LWB — Leaving Wet Bulb (F)
- SHC — Sensible Capacity (1000 Btu/hr)
- TC — Total Capacity (1000 Btu/hr)



GROSS COOLING CAPACITIES (cont)

50XJE084 WITH (2) 15 HP COMPRESSORS AND (2) 20 HP COMPRESSORS (cont)

EWT (F)	GPM	BF	AIR ENTERING EVAPORATOR — CFM AT 80 F EDB														
			19,300					24,000					29,000				
			Air Entering Evaporator — Ewb (F)														
			77	72	67	62	57	77	72	67	62	57	77	72	67	62	57
0.001	0.052	0.054	0.054	0.133	0.023	0.069	0.069	0.077	0.249	0.059	0.086	0.085	0.112	0.342			
95	175	TC	1039	951	870	797	755	1078	989	905	834	810	1106	1015	931	863	855
		SHC	383	488	588	688	755	402	528	651	770	810	419	568	714	845	855
		LDB	62.98	57.72	52.63	47.60	44.16	65.65	60.59	55.60	50.78	49.07	67.63	62.70	57.82	53.45	52.96
		LWB	62.98	57.50	52.11	46.77	40.95	65.62	60.20	54.84	49.48	43.43	67.51	62.15	56.83	51.45	45.32
	KW	70.29	69.01	67.91	67.02	66.52	70.92	69.59	68.45	67.57	67.22	71.39	70.02	68.83	67.88	67.82	
	219	TC	1049	959	876	802	758	1088	997	912	839	814	1118	1025	939	869	861
		SHC	387	491	591	690	758	406	531	655	773	814	423	571	718	848	861
		LDB	62.83	57.58	52.49	47.48	43.99	65.53	60.47	55.47	50.67	48.90	67.52	62.59	57.71	53.34	52.79
		LWB	62.83	57.37	51.98	46.66	40.86	65.50	60.08	54.73	49.38	43.35	67.40	62.04	56.74	51.36	45.24
	KW	67.71	66.65	65.72	64.95	64.54	68.24	67.12	66.17	65.41	65.10	68.68	67.49	66.49	65.70	65.61	
	263	TC	1055	964	880	805	761	1095	1003	917	843	817	1125	1031	944	873	864
		SHC	389	493	594	692	761	408	533	657	775	817	425	574	720	851	864
LDB		62.74	57.49	52.39	47.40	43.88	65.44	60.39	55.40	50.60	48.78	67.44	62.52	57.64	53.26	52.68	
LWB		62.74	57.28	51.91	46.58	40.80	65.42	60.01	54.66	49.32	43.29	67.33	61.98	56.68	51.31	45.19	
KW	66.02	65.06	64.27	63.62	63.27	66.50	65.49	64.65	64.00	63.73	66.91	65.84	64.93	64.25	64.18		
306	TC	1059	967	883	808	762	1099	1006	920	846	819	1130	1036	947	876	867	
	SHC	390	494	595	693	762	409	535	658	776	819	427	575	721	853	867	
	LDB	62.67	57.43	52.33	47.35	43.80	65.39	60.34	55.35	50.55	48.71	67.39	62.47	57.60	53.21	52.61	
	LWB	62.67	57.22	51.85	46.53	40.76	65.36	59.95	54.62	49.28	43.25	67.28	61.93	56.63	51.27	45.15	
KW	64.83	63.97	63.28	62.68	62.37	65.26	64.35	63.60	63.03	62.79	65.66	64.67	63.85	63.26	63.20		
105	175	TC	999	914	836	766	730	1035	949	868	800	783	1059	973	892	828	826
		SHC	369	473	573	672	730	387	513	636	753	783	404	552	698	828	826
		LDB	63.62	58.39	53.32	48.32	45.33	66.18	61.14	56.17	51.42	50.09	68.08	63.16	58.32	53.97	53.90
		LWB	63.62	58.16	52.78	47.44	41.55	66.13	60.73	55.40	50.05	43.93	67.96	62.60	57.30	51.92	45.77
	KW	78.46	77.06	75.83	74.80	74.25	79.18	77.71	76.42	75.34	75.16	79.60	78.11	76.80	75.78	75.77	
	219	TC	1008	922	843	771	734	1045	958	876	806	788	1071	982	900	836	831
		SHC	372	476	576	675	734	391	516	640	756	788	408	556	702	827	831
		LDB	63.47	58.25	53.18	48.19	45.14	66.05	61.01	56.03	51.30	49.91	67.97	63.06	58.20	54.00	53.72
		LWB	63.47	58.02	52.65	47.33	41.46	66.01	60.61	55.28	49.94	43.84	67.84	62.50	57.21	51.81	45.69
	KW	75.67	74.50	73.46	72.58	72.13	76.26	75.08	73.98	73.06	72.85	76.64	75.38	74.27	73.44	73.38	
	263	TC	1015	927	847	775	737	1052	964	881	810	791	1079	989	905	840	835
		SHC	375	478	578	677	737	393	518	642	758	791	410	558	704	830	835
LDB		63.37	58.15	53.09	48.11	45.01	65.97	60.93	55.96	51.22	49.79	67.89	62.99	58.13	53.91	53.60	
LWB		63.37	57.93	52.57	47.25	41.39	65.93	60.53	55.21	49.88	43.79	67.77	62.43	57.14	51.76	45.63	
KW	73.83	72.79	71.90	71.16	70.78	74.37	73.29	72.36	71.57	71.37	74.73	73.58	72.60	71.88	71.82		
306	TC	1019	931	850	777	739	1057	968	885	813	793	1084	993	909	843	838	
	SHC	376	480	580	678	739	395	520	643	760	793	412	560	705	832	838	
	LDB	63.30	58.09	53.03	48.05	44.92	65.91	60.88	55.91	51.17	49.70	67.84	62.94	58.09	53.85	53.52	
	LWB	63.30	57.86	52.51	47.20	41.34	65.87	60.48	55.15	49.83	43.74	67.72	62.38	57.10	51.72	45.59	
KW	72.53	71.60	70.83	70.14	69.81	73.02	72.05	71.23	70.53	70.34	73.36	72.32	71.44	70.80	70.75		

LEGEND

- BF** — Bypass Factor
- EDB** — Entering Dry Bulb (F)
- EWB** — Entering Wet Bulb (F)
- EWT** — Entering Water Temperature (F)
- kW** — Compressor Motor Power Input (kilowatts)
- LDB** — Leaving Dry Bulb (F)
- LWB** — Leaving Wet Bulb (F)
- SHC** — Sensible Capacity (1000 Btu/hr)
- TC** — Total Capacity (1000 Btu/hr)

Performance data (cont)



GROSS COOLING CAPACITIES (cont)

50XJF084 WITH (2) 13 HP COMPRESSORS AND (2) 25 HP COMPRESSORS

EWT (F)	GPM	BF	AIR ENTERING EVAPORATOR — CFM AT 80 F EDB														
			19,300					24,000					29,000				
			Air Entering Evaporator — Ewb (F)														
			77	72	67	62	57	77	72	67	62	57	77	72	67	62	57
0.001	0.051	0.053	0.053	0.118	0.016	0.069	0.069	0.076	0.236	0.056	0.085	0.085	0.108	0.331			
65	190	TC	1168	1068	976	893	829	1217	1115	1021	937	893	1253	1150	1055	972	947
		SHC	429	535	637	736	829	451	578	701	822	893	468	618	766	905	947
		LDB	60.91	55.55	50.40	45.36	40.63	63.91	58.77	53.76	48.84	45.89	66.17	61.19	56.26	51.59	50.07
		LWB	60.91	55.38	49.96	44.61	39.10	63.91	58.46	53.07	47.72	41.83	66.10	60.68	55.32	49.96	43.92
	KW	53.41	52.05	50.94	50.06	49.41	54.22	52.76	51.49	50.54	50.07	54.60	53.16	52.06	50.98	50.67	
	238	TC	1174	1073	981	897	831	1225	1122	1026	941	896	1262	1157	1060	977	950
		SHC	432	537	639	738	831	453	580	703	824	896	471	621	768	907	950
		LDB	60.80	55.45	50.31	45.28	40.52	63.82	58.68	53.68	48.76	45.78	66.08	61.10	56.18	51.51	49.96
		LWB	60.80	55.28	49.87	44.53	39.04	63.82	58.37	52.99	47.65	41.77	66.01	60.60	55.26	49.90	43.86
	KW	51.80	50.58	49.56	48.69	48.09	52.50	51.18	50.10	49.16	48.71	53.02	51.64	50.48	49.57	49.28	
	285	TC	1179	1077	983	899	833	1230	1126	1029	944	898	1267	1162	1064	980	953
		SHC	433	539	640	739	833	455	582	705	826	898	473	623	770	909	953
LDB		60.72	55.38	50.25	45.23	40.45	63.76	58.62	53.62	48.71	45.71	66.03	61.05	56.13	51.47	49.89	
LWB		60.72	55.22	49.81	44.48	39.00	63.76	58.31	52.93	47.60	41.74	65.96	60.55	55.21	49.86	43.83	
KW	50.83	49.63	48.63	47.82	47.28	51.49	50.23	49.14	48.26	47.83	52.05	50.69	49.53	48.64	48.37		
333	TC	1182	1079	985	900	834	1234	1129	1032	945	899	1271	1165	1066	982	954	
	SHC	435	540	641	739	834	456	583	706	827	899	475	624	771	910	954	
	LDB	60.67	55.34	50.21	45.19	40.40	63.71	58.58	53.58	48.68	45.66	65.99	61.01	56.10	51.44	49.83	
	LWB	60.67	55.17	49.77	44.45	38.97	63.71	58.27	52.90	47.57	41.71	65.92	60.52	55.18	49.83	43.80	
KW	50.12	48.95	47.99	47.22	46.66	50.81	49.53	48.48	47.64	47.22	51.34	49.97	48.85	47.99	47.73		
75	190	TC	1136	1040	951	870	810	1182	1084	992	911	873	1217	1117	1024	946	925
		SHC	418	523	625	724	810	438	565	689	810	873	456	606	753	891	925
		LDB	61.42	56.09	50.94	45.90	41.52	64.35	59.23	54.22	49.31	46.65	66.53	61.56	56.64	52.02	50.77
		LWB	61.42	55.91	50.48	45.13	39.57	64.35	58.90	53.51	48.16	42.22	66.45	61.05	55.70	50.33	44.26
	KW	58.59	57.29	56.33	55.60	54.98	59.22	57.89	56.75	55.94	55.63	59.73	58.37	57.16	56.34	56.10	
	238	TC	1144	1046	955	874	813	1191	1091	998	916	877	1226	1125	1030	951	929
		SHC	421	526	627	726	813	441	568	691	812	877	459	609	756	893	929
		LDB	61.30	55.97	50.84	45.81	41.39	64.24	59.12	54.12	49.23	46.51	66.44	61.47	56.56	51.94	50.64
		LWB	61.30	55.79	50.38	45.04	39.50	64.24	58.80	53.42	48.08	42.15	66.36	60.96	55.62	50.26	44.20
	KW	56.68	55.57	54.60	53.88	53.38	57.29	56.07	55.05	54.19	53.92	57.78	56.49	55.44	54.60	54.33	
	285	TC	1149	1050	959	877	815	1197	1095	1002	919	879	1232	1130	1035	954	931
		SHC	422	528	629	728	815	443	570	693	813	879	461	611	758	895	931
LDB		61.22	55.90	50.77	45.75	41.30	64.17	59.06	54.06	49.17	46.42	66.38	61.42	56.50	51.89	50.56	
LWB		61.22	55.72	50.32	44.99	39.45	64.17	58.73	53.36	48.03	42.10	66.30	60.90	55.57	50.21	44.16	
KW	55.50	54.41	53.52	52.79	52.37	56.08	54.91	53.93	53.16	52.83	56.52	55.33	54.29	53.51	53.29		
333	TC	1152	1053	961	879	816	1201	1099	1005	921	881	1237	1133	1038	956	933	
	SHC	424	529	630	728	816	445	571	694	814	881	463	612	759	896	933	
	LDB	61.16	55.84	50.72	45.71	41.24	64.12	59.01	54.02	49.13	46.37	66.33	61.38	56.47	51.85	50.50	
	LWB	61.16	55.67	50.27	44.95	39.42	64.12	58.69	53.32	47.99	42.07	66.25	60.86	55.53	50.18	44.13	
KW	54.62	53.59	52.76	52.09	51.62	55.20	54.06	53.14	52.43	52.13	55.65	54.46	53.48	52.76	52.55		
85	190	TC	1102	1008	921	843	790	1144	1049	960	883	850	1177	1080	991	915	900
		SHC	405	510	612	711	790	425	551	675	795	850	443	592	739	875	900
		LDB	61.98	56.68	51.55	46.53	42.50	64.83	59.74	54.72	49.85	47.54	66.93	61.97	57.07	52.52	51.55
		LWB	61.98	56.49	51.08	45.74	40.08	64.82	59.37	54.00	48.65	42.67	66.84	61.45	56.11	50.74	44.64
	KW	65.12	63.92	62.91	62.09	61.50	65.69	64.42	63.34	62.51	62.17	66.17	64.89	63.80	62.92	62.75	
	238	TC	1110	1015	927	848	793	1154	1057	967	888	854	1187	1089	997	921	905
		SHC	408	513	614	713	793	428	554	678	798	854	446	595	742	878	905
		LDB	61.85	56.55	51.43	46.42	42.35	64.71	59.63	54.62	49.75	47.39	66.83	61.88	56.98	52.42	51.41
		LWB	61.85	56.36	50.97	45.64	40.01	64.70	59.27	53.90	48.56	42.59	66.74	61.35	56.03	50.66	44.57
	KW	62.80	61.80	60.93	60.21	59.73	63.28	62.21	61.30	60.56	60.27	63.72	62.59	61.66	60.92	60.76	
	285	TC	1115	1019	931	851	795	1160	1061	971	891	856	1193	1094	1002	925	907
		SHC	410	515	616	715	795	431	557	680	799	856	448	597	744	880	907
LDB		61.76	56.47	51.35	46.35	42.25	64.63	59.54	54.55	49.69	47.29	66.77	61.82	56.92	52.36	51.31	
LWB		61.76	56.28	50.89	45.57	39.95	64.63	59.20	53.84	48.50	42.54	66.68	61.29	55.97	50.61	44.53	
KW	61.31	60.39	59.64	59.04	58.61	61.76	60.76	59.94	59.31	59.07	62.15	61.12	60.26	59.63	59.48		
333	TC	1119	1023	933	853	796	1164	1065	974	894	858	1198	1098	1005	928	910	
	SHC	412	516	617	716	796	432	558	681	801	858	450	599	745	881	910	
	LDB	61.70	56.41	51.30	46.30	42.18	64.57	59.49	54.50	49.65	47.22	66.72	61.78	56.88	52.32	51.25	
	LWB	61.70	56.22	50.84	45.53	39.92	64.57	59.15	53.79	48.46	42.51	66.63	61.25	55.93	50.57	44.49	
KW	60.20	59.38	58.73	58.16	57.77	60.70	59.71	58.98	58.42	58.20	61.12	60.03	59.26	58.72	58.57		

LEGEND

- BF — Bypass Factor
- EDB — Entering Dry Bulb (F)
- EWB — Entering Wet Bulb (F)
- EWT — Entering Water Temperature (F)
- KW — Compressor Motor Power Input (kilowatts)
- LDB — Leaving Dry Bulb (F)
- LWB — Leaving Wet Bulb (F)
- SHC — Sensible Capacity (1000 Btu/hr)
- TC — Total Capacity (1000 Btu/hr)



GROSS COOLING CAPACITIES (cont)

50XJF084 WITH (2) 13 HP COMPRESSORS AND (2) 25 HP COMPRESSORS (cont)

EWT (F)	GPM	BF	AIR ENTERING EVAPORATOR — CFM AT 80 F EDB														
			19,300					24,000					29,000				
			Air Entering Evaporator — Ewb (F)														
			77	72	67	62	57	77	72	67	62	57	77	72	67	62	57
0.001	0.051	0.053	0.053	0.118	0.016	0.069	0.069	0.076	0.236	0.056	0.085	0.085	0.108	0.331			
95	190	TC	1063	972	889	814	767	1103	1011	926	852	824	1133	1040	953	882	872
		SHC	391	496	597	696	767	411	537	660	779	824	428	577	723	856	872
		LDB	62.61	57.33	52.21	47.21	43.56	65.34	60.28	55.28	50.44	48.51	67.36	62.42	57.54	53.10	52.44
		LWB	62.61	57.13	51.74	46.40	40.64	65.32	59.89	54.53	49.18	43.15	67.26	61.88	56.56	51.19	45.07
	KW	72.66	71.38	70.29	69.38	68.81	73.29	71.95	70.80	69.92	69.54	73.84	72.43	71.24	70.26	70.18	
	238	TC	1072	980	895	819	771	1113	1020	933	857	829	1144	1050	961	888	877
		SHC	395	499	600	699	771	414	540	663	782	829	432	581	727	860	877
		LDB	62.47	57.20	52.09	47.09	43.40	65.22	60.16	55.15	50.33	48.35	67.25	62.32	57.43	52.99	52.28
		LWB	62.47	57.00	51.61	46.29	40.55	65.20	59.78	54.43	49.08	43.07	67.15	61.78	56.47	51.11	44.99
	KW	70.12	69.05	68.12	67.34	66.87	70.65	69.54	68.55	67.77	67.45	71.12	69.94	68.92	68.10	68.01	
	285	TC	1077	984	899	822	773	1119	1025	937	861	832	1151	1055	966	892	880
		SHC	397	501	602	700	773	416	542	665	784	832	434	583	729	862	880
LDB		62.38	57.12	52.01	47.02	43.29	65.14	60.08	55.09	50.26	48.24	67.19	62.25	57.37	52.92	52.17	
LWB		62.38	56.91	51.53	46.22	40.50	65.12	59.70	54.36	49.02	43.02	67.09	61.72	56.41	51.06	44.94	
KW	68.48	67.52	66.72	66.06	65.64	68.96	67.93	67.08	66.42	66.15	69.39	68.32	67.41	66.70	66.62		
333	TC	1081	988	902	824	775	1124	1029	940	863	834	1156	1060	969	895	883	
	SHC	398	502	603	701	775	418	543	667	785	834	436	584	731	864	883	
	LDB	62.31	57.05	51.95	46.97	43.21	65.08	60.03	55.04	50.21	48.16	67.14	62.21	57.32	52.86	52.09	
	LWB	62.31	56.85	51.48	46.17	40.46	65.07	59.65	54.31	48.98	42.98	67.04	61.67	56.37	51.02	44.90	
KW	67.28	66.41	65.71	65.10	64.73	67.70	66.77	66.02	65.43	65.18	68.10	67.13	66.32	65.70	65.62		
105	190	TC	1021	934	854	782	743	1059	971	889	818	797	1086	996	913	847	842
		SHC	377	481	581	680	743	396	521	644	762	797	412	561	707	835	842
		LDB	63.27	58.03	52.95	47.94	44.71	65.89	60.84	55.86	51.08	49.55	67.83	62.91	58.05	53.75	53.39
		LWB	63.27	57.80	52.42	47.09	41.23	65.85	60.44	55.09	49.75	43.67	67.71	62.35	57.04	51.66	45.53
	KW	81.13	79.72	78.50	77.44	76.89	81.84	80.39	79.12	78.03	77.73	82.33	80.81	79.51	78.46	78.42	
	238	TC	1030	942	861	787	747	1069	979	896	824	802	1097	1006	921	854	847
		SHC	380	484	584	683	747	399	524	648	766	802	416	564	711	839	847
		LDB	63.12	57.89	52.81	47.81	44.52	65.76	60.71	55.73	50.96	49.38	67.72	62.80	57.93	53.63	53.23
		LWB	63.12	57.67	52.29	46.98	41.14	65.73	60.32	54.98	49.65	43.58	67.60	62.25	56.95	51.57	45.45
	KW	78.38	77.19	76.15	75.25	74.82	78.97	77.76	76.68	75.78	75.47	79.41	78.14	76.99	76.12	76.04	
	285	TC	1037	947	865	791	749	1076	985	901	828	805	1105	1012	926	858	851
		SHC	382	486	586	685	749	401	526	650	768	805	419	567	713	842	851
		LDB	63.02	57.80	52.73	47.74	44.41	65.68	60.64	55.66	50.88	49.26	67.64	62.73	57.87	53.55	53.11
		LWB	63.02	57.58	52.21	46.90	41.08	65.65	60.25	54.91	49.58	43.53	67.53	62.18	56.89	51.52	45.40
	KW	76.59	75.54	74.64	73.87	73.50	77.13	76.03	75.09	74.34	74.06	77.54	76.37	75.37	74.62	74.54	
	333	TC	1041	951	868	793	751	1080	989	904	831	807	1110	1017	930	861	853
SHC		384	487	587	686	751	403	528	651	769	807	420	568	714	843	853	
LDB		62.96	57.73	52.67	47.68	44.33	65.62	60.59	55.61	50.83	49.18	67.59	62.68	57.82	53.49	53.03	
LWB		62.96	57.51	52.15	46.85	41.04	65.59	60.19	54.86	49.53	43.48	67.48	62.13	56.85	51.48	45.36	
KW	75.29	74.34	73.55	72.84	72.51	75.76	74.78	73.96	73.28	73.00	76.15	75.09	74.20	73.52	73.46		

LEGEND

- BF** — Bypass Factor
- EDB** — Entering Dry Bulb (F)
- EWB** — Entering Wet Bulb (F)
- EWT** — Entering Water Temperature (F)
- kW** — Compressor Motor Power Input (kilowatts)
- LDB** — Leaving Dry Bulb (F)
- LWB** — Leaving Wet Bulb (F)
- SHC** — Sensible Capacity (1000 Btu/hr)
- TC** — Total Capacity (1000 Btu/hr)

Performance data (cont)



GROSS COOLING CAPACITIES (cont) 50XJA094 WITH (4) 15 HP COMPRESSORS

EWT (F)	GPM	BF	AIR ENTERING EVAPORATOR — CFM AT 80 F EDB															
			20,400					26,000					31,000					
			Air Entering Evaporator — Ewb (F)															
			77	72	67	62	57	77	72	67	62	57	77	72	67	62	57	
0.001	0.056	0.055	0.061	0.223	0.054	0.074	0.074	0.103	0.344	0.076	0.09	0.091	0.172	0.424				
65	150	TC	1046	960	879	808	772	1087	998	916	847	832	1109	1020	937	874	871	
		SHC	387	497	605	709	772	408	544	678	803	832	423	583	739	874	871	
		LDB	63.75	58.50	53.38	48.37	45.32	66.57	61.52	56.53	51.85	50.66	68.30	63.37	58.51	54.29	54.23	
	188	LWB	63.75	58.27	52.86	47.48	41.54	66.51	61.09	55.74	50.34	44.21	68.16	62.80	57.48	52.05	45.93	
		KW	46.98	45.60	44.47	43.59	43.15	47.73	46.25	45.03	44.09	43.91	48.02	46.56	45.34	44.48	44.43	
		TC	1056	967	885	813	776	1096	1007	923	853	837	1120	1029	944	880	877	
	225	SHC	390	500	607	712	776	411	547	681	806	837	427	586	742	878	877	
		LDB	63.62	58.37	53.26	48.26	45.15	66.47	61.42	56.43	51.75	50.51	68.21	63.28	58.42	54.16	54.07	
		LWB	63.62	58.14	52.75	47.38	41.46	66.40	60.99	55.64	50.26	44.14	68.07	62.71	57.40	51.98	45.85	
	75	150	KW	45.28	43.99	42.94	42.09	41.70	45.95	44.63	43.48	42.60	42.42	46.35	44.97	43.77	42.96	42.90
			TC	1066	975	892	818	779	1107	1016	930	859	841	1132	1039	952	887	883
			SHC	393	503	610	715	779	415	551	684	809	841	431	590	746	878	883
188		LDB	63.47	58.24	53.14	48.14	44.98	66.34	61.30	56.32	51.64	50.34	68.09	63.18	58.32	54.17	53.90	
		LWB	63.47	58.01	52.63	47.28	41.37	66.28	60.88	55.54	50.16	44.06	67.96	62.61	57.31	51.89	45.77	
		KW	43.38	42.22	41.26	40.48	40.12	43.98	42.77	41.76	40.95	40.76	44.38	43.11	42.01	41.27	41.22	
225		TC	1017	932	854	786	754	1053	968	888	823	811	1074	988	908	851	850	
		SHC	376	487	594	698	754	396	533	667	791	811	412	571	727	851	850	
		LDB	64.19	58.96	53.85	48.85	46.14	66.94	61.90	56.92	52.30	51.40	68.61	63.70	58.85	54.96	54.87	
263		LWB	64.19	58.72	53.32	47.94	41.96	66.87	61.46	56.12	50.72	44.57	68.47	63.11	57.80	52.34	46.23	
		KW	51.47	50.22	49.17	48.35	47.94	52.13	50.79	49.67	48.80	48.69	52.49	51.11	49.94	49.21	49.19	
		TC	1026	940	861	791	758	1064	977	896	829	816	1086	998	916	857	856	
188	SHC	380	490	597	701	758	400	536	670	793	816	416	575	731	857	856		
	LDB	64.05	58.83	53.72	48.73	45.95	66.82	61.78	56.80	52.20	51.22	68.51	63.60	58.74	54.78	54.70		
	LWB	64.05	58.59	53.20	47.83	41.87	66.75	61.35	56.02	50.62	44.48	68.36	63.01	57.71	52.26	46.15		
225	KW	49.41	48.26	47.24	46.52	46.19	50.02	48.80	47.72	46.92	46.81	50.36	49.09	48.00	47.26	47.23		
	TC	1032	946	865	794	760	1071	983	900	833	820	1094	1005	921	861	859		
	SHC	382	492	599	703	760	403	538	672	796	820	419	577	733	861	859		
263	LDB	63.96	58.74	53.64	48.66	45.84	66.74	61.71	56.75	52.12	51.10	68.44	63.53	58.69	54.67	54.59		
	LWB	63.96	58.50	53.12	47.76	41.81	66.67	61.28	55.95	50.56	44.43	68.29	62.95	57.65	52.22	46.10		
	KW	48.12	47.02	46.11	45.36	45.06	48.72	47.54	46.55	45.80	45.68	49.04	47.82	46.79	46.12	46.10		
85	150	TC	1037	949	868	797	762	1077	987	904	836	822	1099	1009	925	864	862	
		SHC	384	493	600	704	762	404	540	674	797	822	420	579	735	864	862	
		LDB	63.89	58.68	53.59	48.61	45.75	66.68	61.66	56.69	52.07	51.02	68.39	63.48	58.64	54.59	54.51	
	188	LWB	63.89	58.44	53.06	47.71	41.77	66.61	61.22	55.90	50.52	44.39	68.25	62.90	57.61	52.18	46.06	
		KW	47.18	46.16	45.28	44.58	44.26	47.75	46.64	45.70	44.98	44.86	48.05	46.91	45.95	45.29	45.26	
		TC	983	902	827	761	733	1017	934	857	796	788	1036	953	876	827	826	
	225	SHC	365	475	582	686	733	384	520	654	775	788	400	559	714	827	826	
		LDB	64.67	59.46	54.37	49.40	47.05	67.34	62.31	57.35	52.84	52.22	68.95	64.04	59.23	55.68	55.58	
		LWB	64.67	59.21	53.82	48.44	42.42	67.26	61.87	56.53	51.12	44.97	68.79	63.45	58.15	52.65	46.57	
	263	KW	57.23	55.93	54.84	53.95	53.55	57.81	56.45	55.30	54.44	54.33	58.15	56.79	55.62	54.94	54.92	
		TC	994	911	834	767	738	1028	944	865	802	794	1049	964	885	833	832	
		SHC	369	478	585	689	738	388	524	658	779	794	404	563	718	833	832	
188	LDB	64.52	59.32	54.23	49.27	46.86	67.21	62.19	57.23	52.70	52.02	68.84	63.94	59.11	55.51	55.40		
	LWB	64.52	59.07	53.69	48.32	42.33	67.13	61.75	56.42	51.02	44.88	68.69	63.35	58.05	52.57	46.48		
	KW	54.74	53.64	52.71	51.97	51.63	55.25	54.11	53.09	52.35	52.25	55.56	54.39	53.36	52.76	52.75		
225	TC	1000	916	838	770	740	1036	951	871	806	797	1057	971	890	837	836		
	SHC	371	480	587	691	740	391	527	660	781	797	407	565	720	837	836		
	LDB	64.43	59.23	54.15	49.20	46.73	67.13	62.11	57.16	52.61	51.90	68.77	63.87	59.05	55.39	55.29		
263	LWB	64.43	58.98	53.61	48.25	42.26	67.05	61.67	56.35	50.96	44.81	68.62	63.28	57.99	52.52	46.43		
	KW	53.13	52.15	51.34	50.69	50.37	53.62	52.57	51.68	51.03	50.94	53.90	52.81	51.90	51.39	51.37		
	TC	1005	920	842	773	743	1042	955	874	810	800	1063	975	894	840	839		
188	SHC	373	482	588	692	743	393	528	661	783	800	409	567	722	840	839		
	LDB	64.36	59.16	54.09	49.13	46.63	67.07	62.06	57.10	52.56	51.80	68.71	63.82	59.00	55.30	55.20		
	LWB	64.36	58.91	53.55	48.19	42.21	66.99	61.62	56.30	50.91	44.77	68.56	63.23	57.95	52.48	46.39		
263	KW	51.96	51.07	50.32	49.74	49.47	52.42	51.46	50.64	50.04	49.96	52.73	51.68	50.85	50.35	50.34		

LEGEND

- BF — Bypass Factor
- EDB — Entering Dry Bulb (F)
- EWB — Entering Wet Bulb (F)
- EWT — Entering Water Temperature (F)
- KW — Compressor Motor Power Input (kilowatts)
- LDB — Leaving Dry Bulb (F)
- LWB — Leaving Wet Bulb (F)
- SHC — Sensible Capacity (1000 Btu/hr)
- TC — Total Capacity (1000 Btu/hr)



GROSS COOLING CAPACITIES (cont)
50XJA094 WITH (4) 15 HP COMPRESSORS (cont)

EWT (F)	GPM	BF	AIR ENTERING EVAPORATOR — CFM AT 80 F EDB														
			20,400					26,000					31,000				
			Air Entering Evaporator — Ewb (F)														
			77	72	67	62	57	77	72	67	62	57	77	72	67	62	57
0.001	0.056	0.055	0.061	0.223	0.054	0.074	0.074	0.103	0.344	0.076	0.09	0.091	0.172	0.424			
95	150	TC	947	869	796	733	711	977	898	824	767	763	996	917	843	799	798
		SHC	353	462	569	672	711	371	507	640	758	763	387	545	699	799	798
		LDB	65.20	60.01	54.94	50.01	48.04	67.77	62.76	57.82	53.42	53.10	69.31	64.42	59.64	56.50	56.40
		LWB	65.19	59.74	54.37	49.00	42.92	67.68	62.30	56.98	51.55	45.39	69.14	63.81	58.51	52.99	46.95
	188	TC	958	878	804	739	716	989	908	833	774	769	1009	927	851	806	805
		SHC	356	466	572	675	716	375	511	644	762	769	391	549	704	806	805
		LDB	65.03	59.85	54.78	49.87	47.82	67.64	62.63	57.68	53.28	52.90	69.19	64.31	59.51	56.30	56.19
		LWB	65.03	59.59	54.23	48.88	42.81	67.55	62.18	56.86	51.45	45.30	69.03	63.70	58.42	52.90	46.85
	225	TC	965	884	809	743	719	997	915	838	778	773	1017	934	857	810	810
		SHC	359	468	574	677	719	378	513	647	765	773	394	552	706	810	810
		LDB	64.93	59.76	54.70	49.78	47.69	67.55	62.55	57.60	53.19	52.76	69.12	64.24	59.44	56.16	56.06
		LWB	64.93	59.50	54.14	48.80	42.75	67.46	62.10	56.79	51.38	45.23	68.96	63.64	58.36	52.85	46.79
263	TC	970	888	812	746	721	1003	920	842	781	775	1023	939	861	814	813	
	SHC	361	470	576	679	721	380	515	648	767	775	396	554	708	814	813	
	LDB	64.86	59.69	54.63	49.71	47.59	67.49	62.49	57.55	53.12	52.67	69.07	64.18	59.39	56.07	55.97	
	LWB	64.86	59.43	54.08	48.74	42.69	67.40	62.04	56.74	51.34	45.19	68.91	63.59	58.31	52.81	46.75	
105	150	TC	908	833	763	703	687	935	860	789	738	736	953	877	807	769	769
		SHC	339	448	554	657	687	358	493	626	738	736	373	531	684	769	769
		LDB	65.77	60.60	55.56	50.67	49.12	68.22	63.23	58.30	54.13	54.04	69.69	64.82	60.08	57.37	57.27
		LWB	65.75	60.33	54.96	49.60	43.46	68.12	62.75	57.44	51.99	45.84	69.51	64.19	58.90	53.35	47.35
	188	TC	919	842	771	709	692	948	870	798	744	742	966	888	816	776	776
		SHC	343	452	558	660	692	362	497	630	744	742	377	535	689	776	776
		LDB	65.60	60.44	55.39	50.52	48.89	68.09	63.09	58.17	53.90	53.83	69.57	64.70	59.94	57.16	57.06
		LWB	65.59	60.17	54.83	49.47	43.35	67.99	62.63	57.33	51.90	45.74	69.40	64.08	58.81	53.26	47.26
	225	TC	926	848	776	714	696	956	877	803	748	746	974	895	821	781	780
		SHC	345	454	560	663	696	364	500	632	748	746	380	538	691	781	780
		LDB	65.49	60.34	55.30	50.43	48.74	68.00	63.01	58.09	53.76	53.69	69.50	64.63	59.87	57.02	56.92
		LWB	65.48	60.07	54.74	49.38	43.27	67.90	62.55	57.25	51.84	45.67	69.33	64.01	58.74	53.20	47.19
263	TC	932	853	780	717	698	962	882	808	751	749	981	900	826	784	784	
	SHC	347	456	562	664	698	366	501	634	751	749	382	540	693	784	784	
	LDB	65.42	60.27	55.23	50.36	48.62	67.93	62.95	58.03	53.65	53.59	69.44	64.58	59.82	56.92	56.83	
	LWB	65.41	60.00	54.67	49.32	43.21	67.84	62.49	57.20	51.79	45.63	69.27	63.96	58.69	53.16	47.15	

LEGEND

- | | |
|--|--|
| BF — Bypass Factor | LDB — Leaving Dry Bulb (F) |
| EDB — Entering Dry Bulb (F) | LWB — Leaving Wet Bulb (F) |
| EWB — Entering Wet Bulb (F) | SHC — Sensible Capacity (1000 Btu/hr) |
| EWT — Entering Water Temperature (F) | TC — Total Capacity (1000 Btu/hr) |
| kW — Compressor Motor Power Input (kilowatts) | |

Performance data (cont)



GROSS COOLING CAPACITIES (cont)

50XJB094 WITH (2) 13 HP COMPRESSORS AND (2) 20 HP COMPRESSORS

EWT (F)	GPM	BF	AIR ENTERING EVAPORATOR — CFM AT 80 F EDB														
			20,400					26,000					31,000				
			Air Entering Evaporator — Ewb (F)														
			77	72	67	62	57	77	72	67	62	57	77	72	67	62	57
0.001	0.055	0.055	0.059	0.195	0.048	0.074	0.073	0.094	0.319	0.073	0.09	0.09	0.146	0.4			
65	165	TC	1097	1005	919	842	798	1141	1047	960	885	862	1168	1073	984	914	907
		SHC	405	515	622	727	798	426	562	696	824	862	443	602	759	896	907
		LDB	63.00	57.73	52.62	47.60	44.12	65.96	60.90	55.91	51.15	49.59	67.77	62.83	57.96	53.66	53.19
		LWB	63.00	57.52	52.12	46.77	40.93	65.92	60.50	55.13	49.75	43.69	67.64	62.27	56.96	51.56	45.43
	kW	47.40	46.09	45.05	44.19	43.78	47.96	46.69	45.70	44.72	44.47	48.41	47.05	45.91	45.05	45.01	
	206	TC	1104	1010	923	846	801	1148	1053	964	889	866	1177	1080	989	919	910
		SHC	407	517	624	729	801	429	565	699	826	866	446	605	761	898	910
		LDB	62.90	57.63	52.54	47.53	44.01	65.89	60.82	55.84	51.09	49.48	67.69	62.76	57.89	53.58	53.08
		LWB	62.90	57.42	52.04	46.70	40.87	65.83	60.42	55.07	49.69	43.63	67.57	62.20	56.90	51.50	45.38
	kW	45.97	44.79	43.82	43.00	42.57	46.65	45.35	44.31	43.50	43.23	47.13	45.73	44.62	43.83	43.74	
	248	TC	1109	1014	926	848	802	1153	1057	968	892	868	1182	1085	993	921	913
		SHC	409	519	625	730	802	430	566	700	827	868	448	607	763	900	913
LDB		62.83	57.57	52.48	47.48	43.95	65.82	60.77	55.79	51.05	49.41	67.64	62.71	57.84	53.54	53.00	
LWB		62.83	57.36	51.98	46.65	40.84	65.78	60.37	55.02	49.65	43.60	67.52	62.15	56.85	51.46	45.34	
kW	45.07	43.92	42.96	42.19	41.78	45.71	44.47	43.43	42.66	42.40	46.14	44.85	43.75	42.97	42.88		
289	TC	1112	1016	928	850	803	1157	1060	970	894	869	1186	1088	996	923	915	
	SHC	410	520	626	730	803	432	568	701	828	869	449	608	764	901	915	
	LDB	62.78	57.53	52.43	47.45	43.90	65.78	60.74	55.75	51.01	49.35	67.61	62.68	57.81	53.50	52.96	
	LWB	62.78	57.32	51.94	46.62	40.81	65.74	60.33	54.99	49.63	43.57	67.48	62.12	56.82	51.44	45.32	
kW	44.47	43.32	42.39	41.65	41.24	45.10	43.85	42.84	42.10	41.85	45.52	44.24	43.16	42.39	42.31		
75	165	TC	1067	977	894	820	781	1108	1017	933	861	843	1133	1041	955	889	884
		SHC	394	504	611	716	781	415	551	685	811	843	432	591	747	880	884
		LDB	63.45	58.20	53.10	48.09	44.90	66.33	61.28	56.29	51.59	50.28	68.08	63.16	58.30	54.11	53.85
		LWB	63.45	57.98	52.59	47.23	41.33	66.27	60.86	55.51	50.13	44.03	67.95	62.59	57.28	51.87	45.75
	kW	51.82	50.63	49.60	48.90	48.58	52.44	51.22	50.16	49.34	49.17	52.82	51.55	50.43	49.61	49.57	
	206	TC	1074	983	899	824	784	1117	1024	938	866	847	1143	1049	961	894	889
		SHC	397	507	613	718	784	418	554	688	813	847	435	593	749	883	889
		LDB	63.34	58.10	53.01	48.00	44.77	66.23	61.19	56.21	51.51	50.15	68.00	63.08	58.22	54.02	53.72
		LWB	63.34	57.88	52.50	47.15	41.26	66.18	60.77	55.43	50.06	43.96	67.87	62.51	57.21	51.81	45.68
	kW	50.11	49.04	48.13	47.39	47.09	50.70	49.56	48.61	47.85	47.65	51.07	49.87	48.86	48.14	48.08	
	248	TC	1079	987	902	827	786	1123	1029	942	869	849	1149	1054	965	897	892
		SHC	398	508	615	719	786	420	556	689	815	849	437	595	751	885	892
LDB		63.26	58.03	52.94	47.95	44.68	66.17	61.13	56.16	51.45	50.07	67.94	63.03	58.17	53.96	53.63	
LWB		63.26	57.81	52.43	47.10	41.22	66.11	60.71	55.38	50.01	43.92	67.81	62.46	57.17	51.76	45.64	
kW	49.02	47.97	47.11	46.44	46.16	49.56	48.47	47.55	46.86	46.67	49.91	48.78	47.80	47.12	47.07		
289	TC	1083	990	904	828	787	1126	1032	944	871	851	1153	1057	968	900	894	
	SHC	400	509	616	720	787	421	557	690	816	851	438	597	752	887	894	
	LDB	63.21	57.98	52.90	47.91	44.62	66.13	61.09	56.12	51.41	50.01	67.90	62.99	58.14	53.92	53.57	
	LWB	63.21	57.76	52.39	47.06	41.18	66.07	60.68	55.35	49.98	43.89	67.77	62.43	57.13	51.74	45.62	
kW	48.23	47.24	46.43	45.79	45.51	48.78	47.71	46.84	46.20	46.02	49.14	48.01	47.08	46.44	46.38		
85	165	TC	1033	946	866	795	761	1073	984	902	833	820	1095	1006	922	862	860
		SHC	382	492	599	703	761	403	539	672	796	820	419	578	733	862	860
		LDB	63.94	58.72	53.63	48.64	45.82	66.73	61.70	56.73	52.09	51.08	68.42	63.52	58.68	54.64	54.57
		LWB	63.94	58.49	53.10	47.74	41.80	66.66	61.27	55.93	50.55	44.42	68.28	62.94	57.64	52.21	46.09
	kW	57.41	56.30	55.37	54.67	54.30	57.98	56.82	55.84	55.07	54.95	58.29	57.10	56.09	55.41	55.38	
	206	TC	1042	953	872	800	764	1082	992	908	838	824	1105	1014	929	867	865
		SHC	385	495	601	705	764	406	542	675	799	824	422	581	737	867	865
		LDB	63.82	58.61	53.52	48.54	45.67	66.62	61.60	56.63	52.00	50.93	68.34	63.43	58.59	54.50	54.43
		LWB	63.82	58.37	53.00	47.66	41.72	66.56	61.17	55.85	50.48	44.35	68.20	62.86	57.56	52.14	46.02
	kW	55.28	54.35	53.55	52.93	52.64	55.81	54.79	53.95	53.28	53.18	56.08	55.03	54.16	53.56	53.54	
	248	TC	1047	958	875	802	766	1088	997	912	842	827	1112	1020	934	870	868
		SHC	387	497	603	707	766	408	544	677	801	827	424	583	738	870	868
LDB		63.74	58.53	53.45	48.48	45.57	66.55	61.53	56.57	51.93	50.83	68.28	63.38	58.54	54.40	54.33	
LWB		63.74	58.30	52.93	47.60	41.67	66.49	61.11	55.79	50.42	44.30	68.14	62.80	57.51	52.10	45.98	
kW	53.91	53.00	52.31	51.78	51.55	54.46	53.43	52.66	52.09	52.00	54.74	53.64	52.84	52.31	52.29		
289	TC	1051	961	878	804	768	1092	1001	915	844	829	1116	1023	937	872	870	
	SHC	388	498	604	708	768	410	545	678	802	829	426	584	740	872	870	
	LDB	63.69	58.48	53.41	48.44	45.50	66.51	61.49	56.53	51.89	50.76	68.23	63.33	58.50	54.34	54.27	
	LWB	63.69	58.25	52.89	47.55	41.64	66.44	61.06	55.75	50.39	44.26	68.10	62.76	57.48	52.08	45.95	
kW	53.00	52.08	51.48	50.99	50.77	53.51	52.54	51.78	51.27	51.19	53.80	52.77	51.94	51.48	51.46		

LEGEND

- BF — Bypass Factor
- EDB — Entering Dry Bulb (F)
- EWB — Entering Wet Bulb (F)
- EWT — Entering Water Temperature (F)
- kW — Compressor Motor Power Input (kilowatts)
- LDB — Leaving Dry Bulb (F)
- LWB — Leaving Wet Bulb (F)
- SHC — Sensible Capacity (1000 Btu/hr)
- TC — Total Capacity (1000 Btu/hr)



GROSS COOLING CAPACITIES (cont)

50XJB094 WITH (2) 13 HP COMPRESSORS AND (2) 20 HP COMPRESSORS (cont)

EWT (F)	GPM	BF	AIR ENTERING EVAPORATOR — CFM AT 80 F EDB														
			20,400					26,000					31,000				
			Air Entering Evaporator — Ewb (F)														
			77	72	67	62	57	77	72	67	62	57	77	72	67	62	57
0.001	0.055	0.055	0.059	0.195	0.048	0.074	0.073	0.094	0.319	0.073	0.09	0.09	0.146	0.4			
95	165	TC	997	913	836	768	738	1032	947	868	803	795	1053	967	888	834	834
		SHC	370	479	585	690	738	390	525	658	780	795	406	564	719	834	834
		LDB	64.47	59.28	54.21	49.24	46.83	67.17	62.15	57.21	52.66	51.98	68.80	63.90	59.09	55.45	55.35
		LWB	64.47	59.03	53.66	48.30	42.31	67.09	61.71	56.39	51.01	44.86	68.65	63.31	58.02	52.55	46.46
	KW	64.06	62.90	61.91	61.15	60.74	64.62	63.38	62.35	61.52	61.45	64.93	63.68	62.63	61.99	61.98	
	206	TC	1006	920	842	772	742	1042	956	875	809	799	1064	976	895	840	839
		SHC	373	482	588	692	742	393	528	661	783	799	409	567	722	840	839
		LDB	64.35	59.16	54.09	49.14	46.67	67.06	62.05	57.10	52.55	51.82	68.70	63.81	58.99	55.30	55.20
		LWB	64.35	58.91	53.55	48.21	42.23	66.98	61.61	56.30	50.92	44.78	68.56	63.23	57.94	52.48	46.39
	KW	61.72	60.75	59.91	59.25	58.92	62.21	61.17	60.27	59.58	59.49	62.49	61.41	60.50	59.96	59.93	
	248	TC	1011	925	846	776	744	1049	961	879	813	802	1071	982	900	843	842
		SHC	375	484	590	694	744	395	530	663	785	802	411	569	724	843	842
LDB		64.26	59.09	54.02	49.07	46.56	66.99	61.98	57.03	52.48	51.71	68.64	63.75	58.94	55.20	55.10	
LWB		64.26	58.84	53.48	48.14	42.17	66.91	61.55	56.24	50.87	44.72	68.50	63.17	57.89	52.44	46.34	
KW	60.15	59.27	58.55	58.00	57.72	60.61	59.65	58.86	58.28	58.20	60.86	59.87	59.06	58.58	58.57		
289	TC	1015	928	848	778	746	1053	965	882	815	804	1076	986	903	846	844	
	SHC	376	485	591	695	746	397	532	665	787	804	413	571	726	846	844	
	LDB	64.21	59.03	53.97	49.02	46.48	66.94	61.93	56.99	52.43	51.64	68.60	63.71	58.90	55.12	55.03	
	LWB	64.21	58.78	53.43	48.10	42.14	66.86	61.50	56.20	50.83	44.69	68.45	63.13	57.85	52.41	46.31	
KW	59.05	58.26	57.63	57.12	56.86	59.47	58.60	57.90	57.38	57.31	60.75	59.40	58.80	58.07	57.65		
105	165	TC	958	877	802	737	715	990	908	832	772	768	1009	927	851	805	804
		SHC	356	465	571	674	715	376	511	643	761	768	391	549	703	805	804
		LDB	65.03	59.87	54.83	49.91	47.89	67.63	62.64	57.72	53.30	52.94	69.19	64.31	59.54	56.33	56.22
		LWB	65.03	59.61	54.26	48.91	42.85	67.55	62.18	56.87	51.47	45.32	69.03	63.70	58.42	52.91	46.87
	KW	71.56	70.28	69.17	68.24	67.92	72.06	70.73	69.61	68.75	68.70	72.42	71.09	69.95	69.28	69.27	
	206	TC	967	885	809	742	718	1000	916	839	778	772	1020	936	858	810	810
		SHC	359	468	574	677	718	379	514	647	765	772	395	553	707	810	810
		LDB	64.91	59.74	54.69	49.79	47.72	67.52	62.53	57.60	53.18	52.77	69.09	64.22	59.42	56.16	56.06
		LWB	64.91	59.48	54.14	48.81	42.76	67.44	62.08	56.78	51.39	45.23	68.93	63.62	58.35	52.84	46.79
	KW	69.01	67.96	67.01	66.22	65.93	69.45	68.34	67.35	66.64	66.57	69.77	68.63	67.63	67.08	67.07	
	248	TC	973	890	813	746	721	1007	922	843	782	775	1027	942	863	814	813
		SHC	361	470	576	679	721	381	516	649	767	775	397	555	709	814	813
LDB		64.82	59.66	54.62	49.71	47.61	67.45	62.46	57.53	53.10	52.66	69.03	64.16	59.37	56.05	55.95	
LWB		64.82	59.40	54.06	48.74	42.70	67.37	62.01	56.72	51.33	45.18	68.87	63.56	58.29	52.80	46.74	
KW	67.29	66.36	65.56	64.89	64.63	67.70	66.69	65.84	65.23	65.16	67.97	66.95	66.08	65.61	65.60		
289	TC	977	894	816	748	723	1011	926	847	784	778	1032	946	867	817	816	
	SHC	363	472	577	680	723	383	517	650	769	778	399	556	710	817	816	
	LDB	64.76	59.60	54.56	49.66	47.52	67.40	62.41	57.49	53.05	52.58	68.98	64.12	59.33	55.97	55.87	
	LWB	64.76	59.35	54.01	48.69	42.66	67.31	61.96	56.67	51.29	45.14	68.83	63.52	58.25	52.76	46.70	
KW	66.09	65.26	64.56	63.95	63.70	66.47	65.56	64.81	64.25	64.19	66.71	65.79	65.01	64.60	64.59		

LEGEND

- BF** — Bypass Factor
- EDB** — Entering Dry Bulb (F)
- EWB** — Entering Wet Bulb (F)
- EWT** — Entering Water Temperature (F)
- kW** — Compressor Motor Power Input (kilowatts)
- LDB** — Leaving Dry Bulb (F)
- LWB** — Leaving Wet Bulb (F)
- SHC** — Sensible Capacity (1000 Btu/hr)
- TC** — Total Capacity (1000 Btu/hr)

Performance data (cont)



COOLING CAPACITIES (cont)

50XJC094 WITH (2) 15 HP COMPRESSORS AND (2) 20 HP COMPRESSORS

EWT (F)	GPM	BF	AIR ENTERING EVAPORATOR — CFM AT 80 F EDB														
			20,400					26,000					31,000				
			Air Entering Evaporator — Ewb (F)														
			77	72	67	62	57	77	72	67	62	57	77	72	67	62	57
0.001	0.054	0.054	0.056	0.158	0.039	0.073	0.072	0.086	0.285	0.067	0.089	0.088	0.126	0.369			
65	175	TC	1162	1064	973	891	834	1210	1110	1017	936	904	1241	1140	1045	968	953
		SHC	428	539	646	751	834	450	587	721	850	904	467	627	784	928	953
		LDB	62.02	56.70	51.56	46.54	42.50	65.17	60.09	55.07	50.24	48.11	67.09	62.14	57.23	52.73	51.82
		LWB	62.02	56.51	51.10	45.75	40.09	65.15	59.70	54.33	48.96	42.95	66.99	61.60	56.26	50.87	44.77
	kW	52.02	50.66	49.50	48.58	47.93	52.65	51.23	50.05	49.08	48.71	53.14	51.69	50.47	49.51	49.35	
	219	TC	1169	1070	978	895	837	1219	1117	1023	941	908	1250	1148	1052	973	957
		SHC	430	541	649	753	837	453	590	724	853	908	470	630	787	931	957
		LDB	61.91	56.60	51.46	46.46	42.38	65.07	60.00	54.99	50.16	47.99	67.01	62.05	57.15	52.65	51.70
		LWB	61.91	56.41	51.01	45.67	40.02	65.05	59.62	54.25	48.89	42.89	66.91	61.52	56.19	50.80	44.71
	kW	50.37	49.12	48.09	47.20	46.60	51.04	49.70	48.58	47.69	47.34	51.61	50.13	48.95	48.10	47.91	
	263	TC	1174	1074	981	897	839	1224	1122	1026	944	910	1256	1152	1056	977	959
		SHC	432	543	650	754	839	455	591	725	854	910	472	632	789	932	959
LDB		61.84	56.53	51.40	46.40	42.31	65.01	59.94	54.94	50.11	47.91	66.95	62.00	57.10	52.60	51.63	
LWB		61.84	56.34	50.95	45.62	39.98	64.99	59.56	54.20	48.85	42.85	66.85	61.47	56.15	50.76	44.68	
kW	49.32	48.14	47.13	46.29	45.73	50.03	48.71	47.62	46.74	46.42	50.48	49.11	47.98	47.13	46.94		
306	TC	1177	1076	983	899	840	1228	1125	1029	945	912	1260	1156	1058	979	961	
	SHC	433	544	651	755	840	456	592	726	855	912	474	633	790	934	961	
	LDB	61.79	56.49	51.36	46.36	42.26	64.97	59.90	54.90	50.09	47.86	66.92	61.97	57.08	52.56	51.58	
	LWB	61.79	56.30	50.91	45.58	39.96	64.95	59.52	54.17	48.82	42.83	66.82	61.44	56.12	50.74	44.66	
kW	48.64	47.45	46.48	45.68	45.14	49.33	48.02	46.95	46.11	45.80	49.78	48.43	47.30	46.48	46.29		
75	175	TC	1130	1034	946	867	817	1176	1079	989	911	884	1205	1107	1015	941	930
		SHC	416	527	635	739	817	438	575	709	837	884	455	615	772	913	930
		LDB	62.51	57.21	52.07	47.06	43.31	65.56	60.49	55.48	50.68	48.85	67.42	62.47	57.58	53.16	52.49
		LWB	62.51	57.02	51.61	46.26	40.51	65.53	60.10	54.73	49.36	43.32	67.31	61.93	56.60	51.21	45.10
	kW	56.97	55.66	54.65	53.85	53.37	57.64	56.31	55.15	54.34	54.03	58.13	56.75	55.53	54.67	54.57	
	219	TC	1138	1041	952	871	820	1185	1087	995	916	887	1215	1116	1022	947	935
		SHC	419	530	637	741	820	442	578	712	840	887	459	618	775	916	935
		LDB	62.38	57.10	51.97	46.97	43.17	65.46	60.39	55.39	50.60	48.71	67.33	62.39	57.50	53.07	52.35
		LWB	62.38	56.90	51.50	46.17	40.44	65.42	60.00	54.64	49.28	43.25	67.22	61.84	56.52	51.14	45.03
	kW	55.04	53.87	52.91	52.12	51.69	55.67	54.42	53.38	52.53	52.26	56.12	54.83	53.74	52.91	52.80	
	263	TC	1144	1046	955	874	822	1191	1092	999	919	890	1222	1121	1027	950	938
		SHC	421	532	639	743	822	444	580	713	842	890	461	620	777	918	938
LDB		62.30	57.02	51.90	46.91	43.08	65.39	60.33	55.33	50.54	48.62	67.27	62.33	57.44	53.02	52.26	
LWB		62.30	56.82	51.44	46.11	40.39	65.36	59.94	54.59	49.23	43.21	67.16	61.79	56.47	51.10	44.98	
kW	53.80	52.70	51.77	51.03	50.61	54.38	53.22	52.22	51.45	51.18	54.79	53.61	52.57	51.78	51.67		
306	TC	1147	1049	958	876	823	1195	1095	1002	921	892	1226	1125	1030	953	940	
	SHC	422	533	640	744	823	445	581	715	843	892	462	621	778	919	940	
	LDB	62.24	56.97	51.85	46.86	43.02	65.34	60.28	55.29	50.50	48.56	67.23	62.30	57.41	52.97	52.20	
	LWB	62.24	56.77	51.39	46.07	40.36	65.31	59.89	54.55	49.19	43.18	67.12	61.75	56.44	51.07	44.95	
kW	52.94	51.87	51.00	50.32	49.86	53.51	52.37	51.42	50.70	50.45	53.93	52.74	51.75	51.01	50.91		
85	175	TC	1094	1002	916	840	796	1138	1044	957	883	860	1165	1070	981	911	904
		SHC	403	514	621	726	796	425	562	695	823	860	442	601	758	895	904
		LDB	63.05	57.78	52.67	47.65	44.22	65.99	60.94	55.95	51.18	49.66	67.79	62.86	57.99	53.68	53.27
		LWB	63.05	57.57	52.17	46.82	40.98	65.95	60.53	55.17	49.80	43.72	67.67	62.30	56.99	51.60	45.47
	kW	63.26	62.04	61.00	60.16	59.74	63.92	62.66	61.55	60.71	60.43	64.35	63.04	61.89	60.99	60.94	
	219	TC	1103	1009	922	845	800	1148	1053	964	888	865	1176	1079	989	917	909
		SHC	407	517	624	728	800	429	565	699	826	865	446	605	761	899	909
		LDB	62.91	57.65	52.55	47.54	44.07	65.88	60.83	55.84	51.08	49.51	67.69	62.77	57.89	53.57	53.11
		LWB	62.91	57.44	52.05	46.72	40.90	65.84	60.42	55.08	49.71	43.65	67.57	62.21	56.90	51.52	45.39
	kW	60.88	59.83	58.96	58.24	57.87	61.45	60.34	59.43	58.71	58.45	61.87	60.67	59.70	58.96	58.89	
	263	TC	1109	1014	926	848	802	1154	1058	968	892	868	1183	1085	993	921	913
		SHC	409	519	625	730	802	431	567	700	828	868	448	607	763	901	913
LDB		62.83	57.57	52.48	47.47	43.97	65.81	60.76	55.78	51.02	49.41	67.62	62.70	57.83	53.50	53.01	
LWB		62.83	57.36	51.98	46.66	40.85	65.76	60.36	55.02	49.65	43.60	67.51	62.15	56.85	51.47	45.35	
kW	59.34	58.38	57.60	56.98	56.68	59.83	58.84	58.00	57.39	57.15	60.24	59.16	58.25	57.60	57.54		
306	TC	1113	1017	929	850	803	1159	1062	971	894	870	1188	1089	997	924	915	
	SHC	410	520	627	731	803	433	568	702	829	870	450	608	764	903	915	
	LDB	62.76	57.51	52.42	47.43	43.90	65.75	60.71	55.73	50.98	49.34	67.58	62.66	57.79	53.46	52.94	
	LWB	62.76	57.31	51.93	46.61	40.81	65.72	60.31	54.97	49.62	43.56	67.46	62.11	56.81	51.43	45.31	
kW	58.23	57.36	56.66	56.12	55.83	58.81	57.77	57.02	56.48	56.27	59.21	58.07	57.25	56.66	56.61		

LEGEND

- BF — Bypass Factor
- EDB — Entering Dry Bulb (F)
- EWB — Entering Wet Bulb (F)
- EWT — Entering Water Temperature (F)
- kW — Compressor Motor Power Input (kilowatts)
- LDB — Leaving Dry Bulb (F)
- LWB — Leaving Wet Bulb (F)
- SHC — Sensible Capacity (1000 Btu/hr)
- TC — Total Capacity (1000 Btu/hr)



COOLING CAPACITIES (cont)

50XJC094 WITH (2) 15 HP COMPRESSORS AND (2) 20 HP COMPRESSORS

EWT (F)	GPM	BF	AIR ENTERING EVAPORATOR — CFM AT 80 F EDB														
			20,400					26,000					31,000				
			Air Entering Evaporator — Ewb (F)														
			77	72	67	62	57	77	72	67	62	57	77	72	67	62	57
0.001	0.054	0.054	0.056	0.158	0.039	0.073	0.072	0.086	0.285	0.067	0.089	0.088	0.126	0.369			
95	175	TC	1055	966	884	811	773	1097	1006	922	850	835	1120	1029	944	878	876
		SHC	390	500	607	711	773	411	547	681	806	835	428	586	742	878	876
		LDB	63.62	58.38	53.30	48.29	45.26	66.45	61.42	56.45	51.76	50.57	68.19	63.28	58.43	54.16	54.10
		LWB	63.62	58.16	52.77	47.42	41.52	66.40	60.99	55.65	50.29	44.17	68.06	62.71	57.40	52.00	45.87
	kW	70.62	69.29	68.17	67.26	66.80	71.32	69.96	68.78	67.78	67.65	71.68	70.29	69.08	68.19	68.15	
	219	TC	1065	974	891	816	777	1107	1015	929	857	840	1132	1039	951	884	881
		SHC	393	503	610	714	777	415	551	684	809	840	431	590	746	884	881
		LDB	63.48	58.25	53.16	48.17	45.08	66.34	61.30	56.33	51.64	50.40	68.09	63.17	58.32	53.99	53.94
		LWB	63.48	58.03	52.65	47.32	41.42	66.28	60.88	55.55	50.20	44.08	67.96	62.61	57.32	51.93	45.79
	kW	67.97	66.89	65.94	65.15	64.78	68.59	67.45	66.45	65.62	65.47	68.93	67.71	66.69	65.94	65.89	
	263	TC	1071	979	895	819	780	1114	1021	934	861	843	1140	1045	957	890	885
		SHC	395	505	611	716	780	417	553	686	811	843	434	592	748	881	885
LDB		63.39	58.16	53.08	48.10	44.97	66.26	61.23	56.26	51.57	50.29	68.02	63.11	58.26	54.09	53.83	
LWB		63.39	57.94	52.57	47.24	41.36	66.21	60.81	55.49	50.14	44.03	67.89	62.55	57.26	51.86	45.74	
kW	66.26	65.27	64.45	63.79	63.49	66.82	65.78	64.90	64.19	64.05	67.12	66.03	65.10	64.45	64.41		
306	TC	1075	983	898	822	781	1119	1025	938	863	845	1145	1050	960	893	887	
	SHC	397	507	613	717	781	419	554	688	813	845	435	594	750	883	887	
	LDB	63.33	58.10	53.03	48.05	44.88	66.21	61.18	56.21	51.52	50.21	67.97	63.07	58.22	54.03	53.76	
	LWB	63.33	57.88	52.52	47.20	41.32	66.15	60.76	55.44	50.09	43.99	67.85	62.50	57.22	51.82	45.70	
kW	65.04	64.15	63.43	62.84	62.57	65.56	64.61	63.83	63.21	63.08	65.86	64.84	64.00	63.43	63.39		
105	175	TC	1014	929	850	780	748	1051	964	883	816	806	1073	986	904	847	846
		SHC	376	485	591	696	748	396	532	665	788	806	412	571	725	847	846
		LDB	64.22	59.02	53.95	48.98	46.41	66.95	61.94	56.99	52.39	51.59	68.62	63.71	58.91	55.10	55.00
		LWB	64.22	58.78	53.41	48.06	42.10	66.89	61.50	56.18	50.81	44.67	68.48	63.13	57.84	52.40	46.29
	kW	78.84	77.40	76.15	75.13	74.58	79.55	78.04	76.74	75.65	75.53	79.92	78.42	77.09	76.19	76.20	
	219	TC	1024	937	856	785	752	1062	974	891	823	811	1085	996	912	853	851
		SHC	379	488	595	698	752	400	535	668	791	811	416	574	730	853	851
		LDB	64.08	58.88	53.81	48.85	46.22	66.83	61.82	56.86	52.27	51.41	68.51	63.61	58.78	54.91	54.82
		LWB	64.08	58.64	53.28	47.95	42.00	66.77	61.39	56.08	50.72	44.58	68.37	63.04	57.75	52.32	46.21
	kW	75.98	74.79	73.73	72.84	72.39	76.60	75.33	74.22	73.32	73.19	76.95	75.64	74.51	73.77	73.73	
	263	TC	1030	942	861	789	754	1070	980	896	827	814	1093	1002	918	857	855
		SHC	381	491	597	700	754	402	537	671	794	814	418	577	732	857	855
LDB		63.99	58.79	53.73	48.77	46.10	66.75	61.74	56.79	52.19	51.28	68.44	63.54	58.72	54.79	54.71	
LWB		63.99	58.56	53.20	47.88	41.94	66.69	61.31	56.01	50.65	44.52	68.31	62.97	57.69	52.27	46.15	
kW	74.11	73.04	72.13	71.38	70.99	74.69	73.54	72.56	71.78	71.67	74.99	73.81	72.80	72.15	72.12		
306	TC	1035	946	864	791	757	1075	984	900	830	817	1098	1007	921	860	858	
	SHC	383	492	598	702	757	404	539	672	795	817	420	578	733	860	858	
	LDB	63.92	58.73	53.67	48.72	46.01	66.69	61.69	56.74	52.13	51.19	68.39	63.50	58.68	54.71	54.63	
	LWB	63.92	58.49	53.14	47.82	41.90	66.63	61.26	55.96	50.61	44.47	68.26	62.93	57.65	52.23	46.12	
kW	72.79	71.83	71.03	70.35	70.00	73.32	72.29	71.41	70.72	70.62	73.59	72.52	71.62	71.04	71.02		

LEGEND

- BF** — Bypass Factor
- EDB** — Entering Dry Bulb (F)
- EWB** — Entering Wet Bulb (F)
- EWT** — Entering Water Temperature (F)
- kW** — Compressor Motor Power Input (kilowatts)
- LDB** — Leaving Dry Bulb (F)
- LWB** — Leaving Wet Bulb (F)
- SHC** — Sensible Capacity (1000 Btu/hr)
- TC** — Total Capacity (1000 Btu/hr)

Performance data (cont)



GROSS COOLING CAPACITIES (cont)

50XJD094 WITH (2) 13 HP COMPRESSORS AND (2) 25 HP COMPRESSORS

EWT (F)	GPM	BF	AIR ENTERING EVAPORATOR — CFM AT 80 F EDB														
			20,400					26,000					31,000				
			Air Entering Evaporator — Ewb (F)														
			77	72	67	62	57	77	72	67	62	57	77	72	67	62	57
0.001	0.053	0.054	0.056	0.144	0.034	0.073	0.072	0.084	0.272	0.064	0.088	0.088	0.12	0.357			
65	190	TC	1187	1087	994	910	849	1238	1136	1040	957	921	1271	1167	1070	990	971
		SHC	437	548	656	761	849	460	597	731	861	921	478	637	794	940	971
		LDB	61.63	56.30	51.15	46.12	41.85	64.84	59.75	54.73	49.87	47.52	66.81	61.85	56.94	52.38	51.30
		LWB	61.63	56.12	50.70	45.35	39.74	64.83	59.38	54.01	48.64	42.66	66.72	61.32	55.99	50.60	44.52
	238	TC	1194	1092	998	914	852	1247	1142	1046	961	925	1280	1174	1076	994	974
		SHC	439	551	658	762	852	463	599	733	863	925	480	640	797	942	974
		LDB	61.53	56.20	51.06	46.04	41.73	64.75	59.66	54.65	49.81	47.40	66.73	61.77	56.87	52.31	51.18
		LWB	61.53	56.02	50.61	45.27	39.68	64.73	59.30	53.93	48.58	42.60	66.64	61.25	55.92	50.54	44.46
	285	TC	1198	1096	1001	916	853	1252	1147	1049	964	927	1285	1179	1080	997	977
		SHC	441	552	659	763	853	465	601	735	864	927	482	642	799	944	977
		LDB	61.46	56.14	51.01	45.99	41.66	64.69	59.61	54.60	49.76	47.33	66.68	61.72	56.82	52.26	51.11
		LWB	61.46	55.96	50.56	45.22	39.64	64.68	59.24	53.88	48.53	42.56	66.59	61.20	55.87	50.50	44.43
333	TC	1202	1098	1003	917	854	1256	1150	1051	965	928	1289	1182	1082	999	979	
	SHC	442	553	660	764	854	466	602	736	865	928	484	643	800	945	979	
	LDB	61.41	56.09	50.97	45.96	41.61	64.64	59.57	54.57	49.72	47.28	66.64	61.69	56.79	52.23	51.06	
	LWB	61.41	55.92	50.52	45.19	39.62	64.63	59.20	53.85	48.50	42.54	66.55	61.17	55.84	50.47	44.40	
75	190	TC	1155	1058	967	885	830	1203	1104	1011	931	900	1234	1133	1040	962	948
		SHC	425	537	644	748	830	448	584	719	848	900	465	625	782	925	948
		LDB	62.12	56.81	51.67	46.65	42.69	65.24	60.17	55.16	50.32	48.28	67.16	62.20	57.30	52.80	51.96
		LWB	62.12	56.62	51.21	45.87	40.18	65.22	59.78	54.42	49.05	43.04	67.05	61.66	56.33	50.95	44.84
	238	TC	1164	1064	972	890	833	1212	1111	1017	936	904	1244	1142	1046	968	953
		SHC	428	539	646	751	833	451	587	721	850	904	468	628	785	928	953
		LDB	62.00	56.70	51.57	46.56	42.56	65.14	60.07	55.07	50.25	48.14	67.07	62.12	57.22	52.72	51.83
		LWB	62.00	56.51	51.11	45.78	40.11	65.12	59.69	54.33	48.97	42.97	66.96	61.58	56.26	50.88	44.78
	285	TC	1169	1068	976	892	835	1218	1116	1021	939	906	1250	1147	1050	971	955
		SHC	430	541	648	752	835	453	589	723	852	906	470	630	786	930	955
		LDB	61.92	56.62	51.50	46.50	42.47	65.07	60.01	55.01	50.19	48.06	67.01	62.06	57.17	52.67	51.75
		LWB	61.92	56.43	51.04	45.72	40.07	65.05	59.63	54.27	48.92	42.93	66.91	61.53	56.21	50.83	44.74
333	TC	1172	1071	978	894	836	1222	1120	1024	941	908	1255	1150	1053	974	957	
	SHC	431	542	649	753	836	455	590	724	853	908	472	631	788	931	957	
	LDB	61.87	56.57	51.45	46.46	42.42	65.03	59.96	54.97	50.15	48.00	66.97	62.02	57.13	52.63	51.69	
	LWB	61.87	56.38	51.00	45.68	40.04	65.01	59.59	54.24	48.89	42.89	66.87	61.49	56.17	50.80	44.71	
85	190	TC	1119	1024	936	858	810	1165	1068	979	902	876	1194	1096	1005	931	922
		SHC	412	523	630	735	810	435	571	705	833	876	452	611	767	908	922
		LDB	62.67	57.39	52.26	47.25	43.61	65.69	60.63	55.63	50.84	49.11	67.52	62.59	57.71	53.32	52.73
		LWB	62.67	57.19	51.79	46.44	40.67	65.65	60.23	54.87	49.50	43.45	67.41	62.04	56.72	51.34	45.21
	238	TC	1128	1031	942	863	813	1174	1077	986	907	880	1204	1105	1012	937	927
		SHC	415	526	633	737	813	438	574	708	836	880	455	614	771	911	927
		LDB	62.54	57.27	52.14	47.15	43.47	65.58	60.52	55.53	50.74	48.96	67.43	62.49	57.61	53.22	52.59
		LWB	62.54	57.06	51.68	46.35	40.59	65.54	60.12	54.77	49.41	43.38	67.32	61.95	56.64	51.26	45.14
	285	TC	1133	1036	946	866	815	1181	1082	990	911	883	1211	1111	1017	941	930
		SHC	417	528	635	739	815	440	576	710	837	883	457	616	773	913	930
		LDB	62.46	57.18	52.07	47.08	43.37	65.50	60.45	55.46	50.68	48.87	67.37	62.44	57.56	53.15	52.49
		LWB	62.46	56.99	51.61	46.28	40.54	65.47	60.06	54.71	49.36	43.33	67.26	61.89	56.58	51.21	45.10
333	TC	1137	1039	949	868	817	1185	1085	993	913	885	1216	1115	1021	944	933	
	SHC	419	529	636	740	817	442	577	711	839	885	459	618	774	915	933	
	LDB	62.39	57.13	52.02	47.03	43.30	65.45	60.41	55.42	50.64	48.80	67.32	62.39	57.52	53.11	52.42	
	LWB	62.39	56.93	51.55	46.24	40.50	65.42	60.01	54.67	49.32	43.29	67.22	61.85	56.54	51.18	45.06	

LEGEND

- BF — Bypass Factor
- EDB — Entering Dry Bulb (F)
- EWB — Entering Wet Bulb (F)
- EWT — Entering Water Temperature (F)
- kW — Compressor Motor Power Input (kilowatts)
- LDB — Leaving Dry Bulb (F)
- LWB — Leaving Wet Bulb (F)
- SHC — Sensible Capacity (1000 Btu/hr)
- TC — Total Capacity (1000 Btu/hr)



GROSS COOLING CAPACITIES (cont)

50XJD094 WITH (2) 13 HP COMPRESSORS AND (2) 25 HP COMPRESSORS (cont)

EWT (F)	GPM	BF	AIR ENTERING EVAPORATOR — CFM AT 80 F EDB														
			20,400					26,000					31,000				
			Air Entering Evaporator — Ewb (F)														
			77	72	67	62	57	77	72	67	62	57	77	72	67	62	57
0.001	0.053	0.054	0.056	0.144	0.034	0.073	0.072	0.084	0.272	0.064	0.088	0.088	0.12	0.357			
95	190	TC	1080	988	904	828	787	1123	1030	944	870	850	1149	1054	967	898	893
		SHC	398	509	615	720	787	420	556	690	816	850	437	595	752	888	893
		LDB	63.26	58.01	52.92	47.91	44.63	66.16	61.11	56.13	51.40	50.02	67.94	63.02	58.16	53.89	53.59
		LWB	63.26	57.79	52.40	47.06	41.19	66.11	60.70	55.35	49.99	43.90	67.81	62.46	57.15	51.75	45.63
	kW	72.99	71.67	70.54	69.63	69.17	73.73	72.35	71.16	70.22	69.98	74.13	72.71	71.49	70.54	70.50	
	238	TC	1089	996	910	833	791	1133	1039	951	876	855	1160	1064	974	905	898
		SHC	402	512	618	723	791	424	560	693	820	855	440	599	755	891	898
		LDB	63.12	57.87	52.79	47.79	44.47	66.04	61.00	56.02	51.30	49.87	67.84	62.92	58.05	53.79	53.44
		LWB	63.12	57.66	52.29	46.96	41.11	66.00	60.59	55.26	49.90	43.82	67.72	62.36	57.06	51.67	45.55
	kW	70.39	69.30	68.34	67.54	67.18	71.01	69.86	68.86	68.05	67.81	71.40	70.17	69.12	68.33	68.27	
	285	TC	1095	1001	914	837	793	1139	1044	955	880	858	1167	1070	980	909	902
		SHC	404	514	620	724	793	426	562	695	821	858	443	601	757	894	902
LDB		63.04	57.80	52.71	47.72	44.36	65.97	60.93	55.96	51.23	49.76	67.77	62.85	57.99	53.71	53.33	
LWB		63.04	57.59	52.21	46.89	41.05	65.93	60.53	55.19	49.84	43.77	67.65	62.30	57.00	51.62	45.50	
kW	68.73	67.73	66.90	66.23	65.92	69.29	68.23	67.35	66.66	66.44	69.66	68.53	67.58	66.89	66.84		
333	TC	1099	1004	917	839	795	1144	1048	959	882	860	1172	1075	983	912	904	
	SHC	405	515	621	725	795	428	563	696	823	860	445	603	759	896	904	
	LDB	62.97	57.73	52.66	47.67	44.28	65.92	60.89	55.91	51.18	49.69	67.72	62.81	57.95	53.66	53.26	
	LWB	62.97	57.53	52.16	46.84	41.01	65.88	60.48	55.15	49.80	43.73	67.60	62.25	56.96	51.59	45.46	
kW	67.50	66.59	65.88	65.26	64.97	68.01	67.05	66.26	65.67	65.45	68.36	67.32	66.47	65.87	65.82		
105	190	TC	1038	950	869	797	761	1077	988	905	835	822	1100	1010	926	864	862
		SHC	384	493	600	704	761	405	540	674	798	822	421	580	735	864	862
		LDB	63.88	58.66	53.59	48.61	45.80	66.67	61.64	56.69	52.03	51.03	68.37	63.46	58.64	54.59	54.50
		LWB	63.88	58.43	53.06	47.71	41.79	66.61	61.22	55.89	50.53	44.40	68.24	62.89	57.60	52.18	46.06
	kW	81.52	80.07	78.81	77.76	77.21	82.30	80.77	79.46	78.35	78.21	82.69	81.14	79.80	78.82	78.83	
	238	TC	1047	958	875	802	765	1088	997	912	841	827	1112	1020	934	870	868
		SHC	387	497	603	707	765	409	544	677	801	827	425	583	739	870	868
		LDB	63.74	58.53	53.45	48.48	45.62	66.54	61.52	56.56	51.92	50.86	68.27	63.36	58.52	54.41	54.34
		LWB	63.74	58.30	52.93	47.61	41.70	66.49	61.10	55.79	50.44	44.31	68.14	62.80	57.51	52.10	45.98
	kW	78.70	77.49	76.42	75.52	75.06	79.38	78.11	76.96	76.03	75.88	79.71	78.40	77.24	76.42	76.39	
	285	TC	1053	963	879	805	768	1095	1003	917	845	830	1119	1026	939	874	872
		SHC	389	499	605	709	768	411	546	679	804	830	427	585	741	874	872
		LDB	63.65	58.44	53.37	48.41	45.50	66.47	61.45	56.49	51.84	50.74	68.20	63.30	58.46	54.30	54.23
		LWB	63.65	58.21	52.86	47.54	41.64	66.41	61.03	55.72	50.37	44.25	68.07	62.73	57.45	52.06	45.93
	kW	76.89	75.80	74.87	74.11	73.71	77.52	76.35	75.35	74.55	74.42	77.82	76.61	75.59	74.87	74.84	
	333	TC	1058	967	882	808	770	1100	1008	921	848	832	1125	1031	943	877	874
SHC		391	500	606	710	770	413	548	681	805	832	429	587	742	877	874	
LDB		63.59	58.38	53.32	48.36	45.41	66.41	61.40	56.45	51.79	50.65	68.15	63.25	58.42	54.21	54.15	
LWB		63.59	58.15	52.80	47.49	41.59	66.36	60.98	55.67	50.33	44.21	68.02	62.69	57.41	52.02	45.89	
kW	75.55	74.57	73.76	73.05	72.71	76.12	75.08	74.19	73.47	73.36	76.40	75.31	74.39	73.75	73.73		

LEGEND

- BF** — Bypass Factor
- EDB** — Entering Dry Bulb (F)
- EWB** — Entering Wet Bulb (F)
- EWT** — Entering Water Temperature (F)
- kW** — Compressor Motor Power Input (kilowatts)
- LDB** — Leaving Dry Bulb (F)
- LWB** — Leaving Wet Bulb (F)
- SHC** — Sensible Capacity (1000 Btu/hr)
- TC** — Total Capacity (1000 Btu/hr)

Performance data (cont)



GROSS COOLING CAPACITIES (cont)

50XJF094 WITH (2) 15 HP COMPRESSORS AND (2) 25 HP COMPRESSORS

EWT (F)	GPM	BF	AIR ENTERING EVAPORATOR — CFM AT 80 F EDB														
			20,400					26,000					31,000				
			Air Entering Evaporator — Ewb (F)														
			77	72	67	62	57	77	72	67	62	57	77	72	67	62	57
0.001	0.052	0.054	0.054	0.109	0.019	0.072	0.072	0.08	0.241	0.057	0.088	0.087	0.11	0.329			
65	200	TC	1245	1139	1041	953	883	1305	1195	1095	1005	959	1339	1229	1128	1040	1012
		SHC	458	570	678	783	883	483	621	755	885	959	501	661	819	967	1012
		LDB	60.74	55.35	50.20	45.15	40.31	64.08	58.95	53.93	49.03	46.18	66.17	61.18	56.25	51.59	50.06
	250	LWB	60.74	55.20	49.77	44.42	38.92	64.08	58.62	53.23	47.88	41.98	66.10	60.68	55.32	49.95	43.91
		TC	1253	1145	1046	957	887	1313	1203	1101	1009	963	1349	1237	1134	1045	1016
		SHC	461	573	680	784	883	486	624	757	888	963	504	664	821	970	1016
	300	LDB	60.62	55.25	50.10	45.07	40.33	63.98	58.85	53.84	48.95	46.06	66.08	61.10	56.17	51.52	49.94
		LWB	60.62	55.09	49.67	44.34	38.83	63.98	58.52	53.14	47.80	41.92	66.01	60.60	55.25	49.89	43.86
		KW	56.50	55.16	54.06	53.09	52.42	57.38	55.91	54.68	53.68	53.18	57.89	56.37	55.08	54.09	53.78
	350	TC	1258	1149	1049	959	890	1319	1207	1104	1012	965	1355	1242	1138	1048	1019
		SHC	462	574	681	786	882	488	625	759	889	965	506	666	823	972	1019
		LDB	60.54	55.18	50.04	45.02	40.38	63.91	58.79	53.79	48.90	45.98	66.02	61.04	56.13	51.46	49.87
75	LWB	60.54	55.03	49.61	44.28	38.76	63.91	58.46	53.09	47.75	41.88	65.96	60.55	55.21	49.85	43.82	
	KW	55.35	54.09	52.99	52.09	51.47	56.22	54.81	53.62	52.64	52.17	56.73	55.21	54.02	53.03	52.72	
	TC	1261	1152	1051	961	893	1323	1211	1107	1015	966	1359	1246	1141	1050	1021	
200	SHC	464	576	682	787	879	489	627	760	890	966	508	667	824	973	1021	
	LDB	60.49	55.13	49.99	44.97	40.51	63.87	58.74	53.75	48.86	45.93	65.98	61.00	56.09	51.43	49.82	
	LWB	60.49	54.98	49.57	44.25	38.69	63.87	58.42	53.05	47.72	41.85	65.91	60.51	55.17	49.82	43.79	
250	KW	54.58	53.30	52.25	51.41	50.81	55.82	54.02	52.86	51.92	51.48	55.88	54.46	53.24	52.29	52.00	
	TC	1212	1109	1014	929	864	1267	1162	1064	977	938	1300	1194	1095	1011	989	
	SHC	446	558	665	770	864	470	607	741	872	938	488	648	805	952	989	
300	LDB	61.25	55.90	50.74	45.70	41.18	64.51	59.41	54.38	49.50	46.92	66.54	61.56	56.64	52.02	50.76	
	LWB	61.25	55.73	50.30	44.94	39.39	64.51	59.05	53.67	48.31	42.36	66.45	61.04	55.70	50.32	44.26	
	KW	64.03	62.70	61.60	60.73	60.08	64.84	63.36	62.17	61.23	60.86	65.37	63.83	62.60	61.65	61.37	
350	TC	1220	1116	1020	933	867	1276	1169	1070	983	942	1311	1203	1102	1017	993	
	SHC	449	561	668	772	867	473	610	744	874	942	491	651	808	955	993	
	LDB	61.12	55.77	50.63	45.60	41.04	64.40	59.31	54.29	49.41	46.78	66.44	61.47	56.55	51.94	50.63	
75	LWB	61.12	55.61	50.19	44.85	39.32	64.40	58.95	53.58	48.23	42.28	66.36	60.96	55.62	50.25	44.19	
	KW	61.92	60.65	59.63	58.85	58.30	62.69	61.31	60.17	59.29	58.97	63.18	61.75	60.55	59.65	59.40	
	TC	1226	1120	1023	936	869	1283	1174	1075	986	945	1318	1208	1107	1021	996	
200	SHC	451	562	669	774	869	476	613	746	876	945	493	653	810	957	996	
	LDB	61.04	55.70	50.56	45.54	40.95	64.33	59.22	54.22	49.35	46.70	66.37	61.41	56.49	51.88	50.54	
	LWB	61.04	55.53	50.12	44.79	39.27	64.33	58.89	53.52	48.18	42.24	66.30	60.90	55.56	50.20	44.15	
250	KW	60.55	59.37	58.37	57.61	57.16	61.26	60.01	58.91	58.03	57.71	61.72	60.40	59.27	58.40	58.15	
	TC	1230	1123	1026	938	871	1287	1178	1078	988	946	1322	1212	1110	1023	998	
	SHC	452	564	670	775	871	477	614	747	877	946	495	654	812	958	998	
300	LDB	60.98	55.64	50.51	45.50	40.88	64.27	59.17	54.18	49.31	46.64	66.33	61.37	56.45	51.84	50.48	
	LWB	60.98	55.48	50.08	44.75	39.23	64.27	58.84	53.47	48.14	42.21	66.25	60.86	55.52	50.17	44.12	
	KW	59.58	58.44	57.51	56.76	56.33	60.31	59.05	58.01	57.19	56.89	60.74	59.44	58.35	57.53	57.29	
85	200	TC	1175	1076	984	900	841	1226	1124	1030	947	913	1257	1155	1059	980	962
		SHC	432	544	651	756	841	456	592	727	856	913	473	633	790	935	962
		LDB	61.81	56.49	51.34	46.32	42.19	64.98	59.90	54.89	50.04	47.82	66.94	61.97	57.07	52.51	51.54
	250	LWB	61.81	56.30	50.89	45.55	39.92	64.97	59.53	54.15	48.80	42.81	66.84	61.44	56.11	50.73	44.64
		TC	1184	1083	990	906	845	1236	1133	1037	953	917	1269	1164	1067	986	967
		SHC	436	547	654	759	845	459	596	730	859	917	477	636	793	939	967
	300	LDB	61.68	56.36	51.22	46.21	42.03	64.86	59.79	54.78	49.93	47.66	66.83	61.87	56.97	52.41	51.40
		LWB	61.68	56.18	50.77	45.44	39.84	64.86	59.42	54.05	48.71	42.73	66.74	61.35	56.02	50.65	44.57
		KW	68.74	67.60	66.65	65.82	65.21	69.38	68.13	67.11	66.25	65.92	69.84	68.54	67.46	66.66	66.44
	350	TC	1190	1088	994	909	847	1243	1138	1042	956	920	1276	1170	1072	990	971
		SHC	438	549	656	760	847	462	598	732	861	920	479	639	796	941	971
		LDB	61.59	56.27	51.14	46.13	41.92	64.79	59.72	54.71	49.87	47.55	66.76	61.81	56.91	52.35	51.30
75	LWB	61.59	56.10	50.69	45.37	39.78	64.78	59.35	53.99	48.65	42.67	66.67	61.29	55.96	50.59	44.52	
	KW	67.06	66.02	65.17	64.46	63.96	67.61	66.51	65.56	64.82	64.54	68.02	66.89	65.89	65.18	64.97	
	TC	1194	1091	997	911	849	1248	1142	1045	959	922	1281	1175	1075	993	973	
200	SHC	439	550	657	761	849	463	599	733	862	922	481	640	797	942	973	
	LDB	61.53	56.21	51.09	46.08	41.85	64.73	59.67	54.66	49.82	47.48	66.71	61.77	56.87	52.31	51.23	
	LWB	61.53	56.04	50.64	45.32	39.74	64.72	59.30	53.94	48.60	42.64	66.63	61.24	55.92	50.56	44.48	
250	KW	65.83	64.88	64.12	63.52	63.04	66.38	65.33	64.48	63.82	63.59	66.77	65.67	64.77	64.13	63.95	

LEGEND

- BF — Bypass Factor
- EDB — Entering Dry Bulb (F)
- EWB — Entering Wet Bulb (F)
- EWT — Entering Water Temperature (F)
- KW — Compressor Motor Power Input (kilowatts)
- LDB — Leaving Dry Bulb (F)
- LWB — Leaving Wet Bulb (F)
- SHC — Sensible Capacity (1000 Btu/hr)
- TC — Total Capacity (1000 Btu/hr)



GROSS COOLING CAPACITIES (cont)

50XJF094 WITH (2) 15 HP COMPRESSORS AND (2) 25 HP COMPRESSORS (cont)

EWT (F)	GPM	BF	AIR ENTERING EVAPORATOR — CFM AT 80 F EDB														
			20,400					26,000					31,000				
			Air Entering Evaporator — Ewb (F)														
			77	72	67	62	57	77	72	67	62	57	77	72	67	62	57
0.001	0.052	0.054	0.054	0.109	0.019	0.072	0.072	0.08	0.241	0.057	0.088	0.087	0.11	0.329			
95	200	TC	1134	1038	949	869	818	1181	1084	993	914	886	1211	1112	1020	944	933
		SHC	418	529	636	740	818	440	577	711	839	886	458	617	774	915	933
		LDB	62.45	57.15	52.02	47.02	43.26	65.50	60.43	55.43	50.62	48.78	67.36	62.42	57.53	53.09	52.42
		LWB	62.45	56.96	51.56	46.22	40.48	65.47	60.04	54.68	49.32	43.28	67.26	61.87	56.55	51.18	45.06
	KW	79.65	78.16	76.89	75.84	75.14	80.39	78.88	77.54	76.50	76.08	80.95	79.42	78.04	76.89	76.80	
	250	TC	1144	1046	956	874	821	1192	1093	1000	920	890	1223	1122	1028	951	938
		SHC	421	532	639	743	821	444	580	714	842	890	461	621	778	919	938
		LDB	62.30	57.01	51.88	46.89	43.09	65.37	60.31	55.31	50.51	48.61	67.26	62.31	57.42	52.97	52.25
		LWB	62.30	56.82	51.43	46.11	40.39	65.35	59.92	54.57	49.22	43.20	67.15	61.77	56.46	51.10	44.98
	KW	76.81	75.58	74.50	73.58	72.99	77.46	76.15	75.05	74.13	73.77	77.95	76.60	75.46	74.50	74.39	
	300	TC	1150	1051	960	878	824	1199	1099	1005	924	894	1231	1129	1034	955	942
		SHC	423	534	641	745	824	447	583	716	844	894	464	623	780	922	942
LDB		62.20	56.91	51.80	46.81	42.97	65.29	60.23	55.24	50.44	48.50	67.18	62.25	57.35	52.90	52.14	
LWB		62.20	56.73	51.34	46.03	40.33	65.27	59.85	54.50	49.16	43.14	67.08	61.71	56.39	51.04	44.93	
KW	74.97	73.84	72.90	72.12	71.62	75.53	74.36	73.36	72.58	72.27	75.95	74.77	73.74	72.90	72.81		
350	TC	1155	1055	963	880	826	1204	1103	1009	927	896	1236	1133	1038	958	945	
	SHC	425	536	642	746	826	448	584	718	846	896	466	625	781	924	945	
	LDB	62.13	56.85	51.74	46.76	42.90	65.23	60.18	55.19	50.39	48.42	67.13	62.20	57.31	52.85	52.06	
	LWB	62.13	56.66	51.28	45.97	40.29	65.21	59.80	54.45	49.11	43.11	67.03	61.66	56.35	51.00	44.89	
KW	73.62	72.61	71.77	71.08	70.61	74.15	73.06	72.17	71.49	71.21	74.56	73.43	72.51	71.77	71.70		
105	200	TC	1090	997	912	835	792	1134	1040	953	877	856	1160	1065	977	906	900
		SHC	402	512	619	723	792	424	560	694	821	856	441	600	756	893	900
		LDB	63.11	57.85	52.77	47.75	44.41	66.03	60.99	56.00	51.25	49.81	67.82	62.90	58.04	53.74	53.39
		LWB	63.11	57.64	52.25	46.92	41.08	65.99	60.58	55.23	49.88	43.80	67.71	62.35	57.04	51.65	45.53
	KW	88.90	87.27	85.84	84.63	83.97	89.77	88.11	86.64	85.37	85.04	90.30	88.58	87.06	85.82	85.77	
	250	TC	1100	1006	919	841	796	1145	1050	961	884	861	1173	1076	985	913	906
		SHC	405	516	622	726	796	428	564	697	824	861	445	604	760	898	906
		LDB	62.96	57.70	52.62	47.62	44.23	65.90	60.86	55.88	51.13	49.63	67.71	62.79	57.92	53.61	53.21
		LWB	62.96	57.50	52.12	46.80	40.99	65.87	60.46	55.12	49.77	43.71	67.60	62.24	56.94	51.56	45.44
	KW	85.83	84.48	83.26	82.19	81.63	86.57	85.16	83.92	82.88	82.52	87.07	85.57	84.28	83.27	83.15	
	300	TC	1107	1011	924	845	799	1153	1056	966	889	865	1181	1083	991	918	910
		SHC	408	518	624	728	799	431	566	700	827	865	448	606	762	900	910
LDB		62.86	57.61	52.53	47.54	44.11	65.82	60.78	55.81	51.05	49.51	67.63	62.72	57.85	53.53	53.09	
LWB		62.86	57.40	52.03	46.72	40.92	65.78	60.38	55.05	49.71	43.65	67.52	62.17	56.88	51.51	45.38	
KW	83.83	82.60	81.54	80.62	80.15	84.50	83.22	82.11	81.23	80.90	84.93	83.61	82.43	81.53	81.45		
350	TC	1111	1015	927	847	801	1158	1060	970	892	867	1187	1088	995	921	913	
	SHC	410	520	626	730	801	432	568	701	828	867	450	608	764	902	913	
	LDB	62.79	57.54	52.47	47.48	44.02	65.76	60.72	55.76	51.00	49.43	67.58	62.67	57.81	53.47	53.01	
	LWB	62.79	57.34	51.97	46.67	40.88	65.73	60.33	55.00	49.66	43.61	67.47	62.12	56.83	51.47	45.34	
KW	82.37	81.26	80.32	79.51	79.06	82.97	81.81	80.83	80.07	79.75	83.41	82.18	81.12	80.32	80.24		

LEGEND

- BF** — Bypass Factor
- EDB** — Entering Dry Bulb (F)
- EWB** — Entering Wet Bulb (F)
- EWT** — Entering Water Temperature (F)
- kW** — Compressor Motor Power Input (kilowatts)
- LDB** — Leaving Dry Bulb (F)
- LWB** — Leaving Wet Bulb (F)
- SHC** — Sensible Capacity (1000 Btu/hr)
- TC** — Total Capacity (1000 Btu/hr)

Performance data (cont)



GROSS COOLING CAPACITIES (cont)

50XJA104 WITH (2) 15 HP COMPRESSORS AND (2) 20 HP COMPRESSORS

EWT (F)	GPM	BF	AIR ENTERING EVAPORATOR — CFM AT 80 F EDB														
			22,300					28,000					33,500				
			Air Entering Evaporator — Ewb (F)														
			77	72	67	62	57	77	72	67	62	57	77	72	67	62	57
0.001	0.054	0.054	0.058	0.198	0.046	0.072	0.071	0.091	0.314	0.07	0.087	0.087	0.142	0.389			
65	175	TC	1196	1095	1002	919	871	1241	1138	1045	963	937	1271	1167	1071	995	986
		SHC	441	562	679	793	871	463	610	755	892	937	482	654	823	973	986
		LDB	63.05	57.78	52.67	47.65	44.19	65.84	60.77	55.77	50.98	49.33	67.69	62.75	57.87	53.53	53.02
		LWB	63.05	57.57	52.16	46.81	40.96	65.79	60.37	54.99	49.62	43.56	67.57	62.20	56.88	51.48	45.35
	kW	52.44	51.07	49.89	48.90	48.42	53.24	51.70	50.62	49.48	49.19	53.70	52.14	50.85	49.92	48.82	
	219	TC	1204	1102	1007	923	874	1250	1146	1050	968	941	1281	1176	1078	1000	990
		SHC	444	564	681	795	874	466	613	757	895	941	485	657	826	976	990
		LDB	62.94	57.68	52.58	47.57	44.07	65.74	60.68	55.68	50.90	49.21	67.61	62.67	57.79	53.45	52.90
		LWB	62.94	57.46	52.07	46.73	40.90	65.70	60.28	54.93	49.55	43.50	67.49	62.12	56.81	51.42	45.29
	kW	50.95	49.54	48.43	47.52	47.04	51.66	50.14	48.96	48.07	47.74	52.15	50.64	49.33	48.41	48.32	
	263	TC	1209	1106	1011	926	876	1256	1151	1053	971	943	1288	1181	1082	1003	993
		SHC	446	566	682	797	876	468	615	759	896	943	487	659	828	978	993
LDB		62.86	57.61	52.53	47.51	43.99	65.68	60.63	55.63	50.85	49.13	67.55	62.62	57.75	53.39	52.82	
LWB		62.86	57.40	52.01	46.68	40.86	65.64	60.22	54.88	49.51	43.46	67.43	62.07	56.76	51.38	45.25	
kW	49.86	48.56	47.47	46.58	46.13	50.53	49.14	47.98	47.09	46.78	51.03	49.57	48.35	47.45	47.35		
306	TC	1213	1109	1013	927	877	1260	1154	1056	973	944	1292	1185	1085	1006	995	
	SHC	447	567	684	798	877	470	616	760	897	944	489	660	829	979	995	
	LDB	62.81	57.57	52.46	47.47	43.94	65.64	60.59	55.59	50.82	49.08	67.51	62.58	57.71	53.36	52.77	
	LWB	62.81	57.35	51.98	46.64	40.84	65.60	60.19	54.84	49.48	43.43	67.39	62.03	56.73	51.35	45.23	
kW	49.17	47.86	46.80	45.95	45.53	49.80	48.45	47.29	46.43	46.14	50.27	48.88	47.65	46.78	46.68		
75	175	TC	1162	1065	974	894	852	1205	1106	1014	935	915	1232	1132	1039	967	961
		SHC	429	550	666	781	852	451	598	742	879	915	469	641	810	956	961
		LDB	63.51	58.26	53.16	48.14	44.99	66.21	61.15	56.16	51.42	50.04	68.02	63.08	58.22	53.99	53.69
		LWB	63.51	58.03	52.64	47.28	41.38	66.15	60.74	55.39	50.01	43.91	67.89	62.52	57.21	51.80	45.67
	kW	57.51	56.18	55.04	54.20	53.80	58.20	56.79	55.59	54.69	54.48	58.64	57.16	55.92	55.02	54.97	
	219	TC	1171	1072	980	899	855	1215	1114	1021	941	919	1243	1141	1046	973	966
		SHC	432	553	669	783	855	454	601	745	881	919	472	644	813	959	966
		LDB	63.39	58.14	53.05	48.05	44.85	66.11	61.06	56.07	51.34	49.90	67.92	63.00	58.13	53.90	53.55
		LWB	63.39	57.92	52.53	47.19	41.30	66.06	60.65	55.30	49.93	43.84	67.80	62.44	57.14	51.73	45.61
	kW	55.53	54.28	53.27	52.42	52.08	56.17	54.86	53.76	52.90	52.64	56.60	55.22	54.05	53.25	53.18	
	263	TC	1177	1076	984	902	857	1221	1119	1025	945	922	1251	1147	1051	976	970
		SHC	434	554	671	785	857	456	603	747	883	922	475	646	815	961	970
LDB		63.31	58.08	52.99	47.99	44.75	66.04	61.00	56.01	51.28	49.81	67.86	62.94	58.08	53.84	53.46	
LWB		63.31	57.85	52.47	47.13	41.25	65.99	60.59	55.25	49.88	43.80	67.74	62.38	57.09	51.69	45.56	
kW	54.24	53.09	52.10	51.32	50.95	54.84	53.63	52.58	51.77	51.55	55.25	53.96	52.87	52.08	52.01		
306	TC	1181	1080	987	904	859	1226	1123	1028	947	924	1255	1151	1054	979	972	
	SHC	436	556	672	786	859	458	604	748	884	924	476	648	817	963	972	
	LDB	63.25	58.03	52.95	47.95	44.69	66.00	60.96	55.97	51.24	49.75	67.82	62.90	58.04	53.79	53.40	
	LWB	63.25	57.80	52.43	47.09	41.22	65.95	60.54	55.21	49.85	43.77	67.70	62.35	57.05	51.66	45.53	
kW	53.38	52.24	51.31	50.58	50.26	53.97	52.76	51.76	51.00	50.78	54.37	53.10	52.04	51.29	51.22		
85	175	TC	1125	1031	943	866	829	1165	1069	980	905	890	1190	1093	1003	937	935
		SHC	416	536	653	767	829	437	584	728	862	890	455	627	795	937	935
		LDB	64.00	58.79	53.70	48.71	45.93	66.62	61.59	56.61	51.94	50.86	68.37	63.45	58.61	54.50	54.42
		LWB	64.00	58.54	53.16	47.80	41.86	66.56	61.16	55.82	50.45	44.31	68.23	62.88	57.58	52.15	46.02
	kW	63.82	62.55	61.44	60.58	60.15	64.46	63.12	61.96	61.04	60.89	64.83	63.43	62.27	61.45	61.42	
	219	TC	1135	1039	950	871	833	1176	1078	987	911	895	1202	1103	1011	942	940
		SHC	420	539	656	770	833	441	587	731	866	895	459	630	799	942	940
		LDB	63.88	58.66	53.58	48.60	45.76	66.51	61.48	56.50	51.84	50.70	68.27	63.36	58.51	54.35	54.28
		LWB	63.88	58.42	53.05	47.70	41.77	66.45	61.06	55.73	50.36	44.23	68.14	62.79	57.50	52.08	45.95
	kW	61.36	60.25	59.34	58.58	58.23	61.95	60.75	59.76	58.98	58.85	62.29	61.03	60.00	59.32	59.29	
	263	TC	1141	1044	954	875	835	1183	1084	992	915	898	1209	1109	1016	946	944
		SHC	422	541	658	771	835	443	589	733	868	898	461	633	801	946	944
LDB		63.79	58.59	53.51	48.53	45.66	66.44	61.41	56.44	51.77	50.59	68.21	63.30	58.45	54.25	54.18	
LWB		63.79	58.35	52.98	47.64	41.72	66.38	60.99	55.67	50.31	44.18	68.08	62.73	57.44	52.04	45.90	
kW	59.75	58.75	57.92	57.28	56.98	60.27	59.22	58.31	57.62	57.51	60.64	59.48	58.53	57.90	57.87		
306	TC	1145	1047	957	877	837	1188	1088	995	918	900	1214	1114	1020	949	946	
	SHC	423	543	659	773	837	445	591	735	869	900	463	634	802	949	946	
	LDB	63.74	58.54	53.47	48.48	45.58	66.39	61.36	56.40	51.73	50.52	68.17	63.26	58.41	54.18	54.11	
	LWB	63.74	58.30	52.93	47.60	41.68	66.33	60.94	55.62	50.27	44.14	68.03	62.69	57.41	52.01	45.87	
kW	58.70	57.69	56.95	56.39	56.12	59.27	58.13	57.30	56.68	56.59	59.60	58.41	57.50	56.92	56.90		

LEGEND

- BF — Bypass Factor
- EDB — Entering Dry Bulb (F)
- EWB — Entering Wet Bulb (F)
- EWT — Entering Water Temperature (F)
- kW — Compressor Motor Power Input (kilowatts)
- LDB — Leaving Dry Bulb (F)
- LWB — Leaving Wet Bulb (F)
- SHC — Sensible Capacity (1000 Btu/hr)
- TC — Total Capacity (1000 Btu/hr)



GROSS COOLING CAPACITIES (cont)

50XJA104 WITH (2) 15 HP COMPRESSORS AND (2) 20 HP COMPRESSORS (cont)

EWT (F)	GPM	BF	AIR ENTERING EVAPORATOR — CFM AT 80 F EDB														
			22,300					28,000					33,500				
			Air Entering Evaporator — Ewb (F)														
			77	72	67	62	57	77	72	67	62	57	77	72	67	62	57
0.001	0.054	0.054	0.058	0.198	0.046	0.072	0.071	0.091	0.314	0.07	0.087	0.087	0.142	0.389			
95	175	TC	1085	994	910	836	804	1121	1028	942	872	862	1144	1051	965	906	905
		SHC	402	522	638	752	804	423	569	712	845	862	440	611	779	906	905
		LDB	64.54	59.36	54.29	49.31	46.93	67.08	62.05	57.10	52.51	51.78	68.75	63.85	59.03	55.33	55.23
	219	LWB	64.54	59.10	53.72	48.36	42.37	67.00	61.62	56.29	50.91	44.76	68.60	63.26	57.97	52.50	46.40
		KW	71.23	69.87	68.68	67.76	67.30	71.82	70.40	69.17	68.17	68.07	72.22	70.79	69.52	68.74	68.73
		TC	1095	1002	917	841	809	1132	1038	950	879	867	1156	1061	973	912	911
	263	SHC	406	525	641	755	809	426	572	716	848	867	444	615	783	912	911
		LDB	64.41	59.23	54.16	49.20	46.76	66.96	61.94	56.98	52.40	51.61	68.65	63.75	58.92	55.17	55.07
		KW	68.51	67.35	66.38	65.57	65.17	69.05	67.81	66.77	65.95	65.83	69.40	68.12	67.05	66.41	66.37
	306	TC	1101	1008	921	845	811	1139	1044	955	883	871	1164	1068	978	916	915
		SHC	408	527	643	757	811	429	575	718	850	871	447	618	785	916	915
		LDB	64.32	59.14	54.08	49.12	46.65	66.89	61.87	56.91	52.33	51.50	68.58	63.69	58.87	55.06	54.96
105	175	LWB	64.32	58.89	53.53	48.19	42.22	66.81	61.44	56.13	50.76	44.62	68.44	63.11	57.83	52.38	46.28
		KW	66.75	65.70	64.83	64.15	63.81	67.22	66.12	65.17	64.47	64.37	67.52	66.40	65.42	64.84	64.82
		TC	1106	1011	924	848	813	1145	1049	959	885	873	1169	1073	982	919	918
	219	SHC	410	529	645	758	813	431	576	720	852	873	448	619	787	919	918
		LDB	64.26	59.09	54.03	49.08	46.57	66.83	61.82	56.87	52.28	51.42	68.54	63.64	58.82	54.98	54.89
		KW	64.26	58.83	53.48	48.15	42.18	66.76	61.39	56.09	50.72	44.58	68.40	63.07	57.79	52.35	46.24
	263	LWB	65.49	64.53	63.76	63.17	62.86	65.95	64.92	64.07	63.44	63.36	66.24	65.17	64.29	63.76	63.75
		TC	1041	954	873	802	778	1074	985	903	838	832	1096	1007	924	874	873
		SHC	388	507	622	735	778	407	553	696	824	832	424	595	762	874	873
	306	LDB	65.11	59.95	54.91	49.99	48.01	67.55	62.55	57.62	53.17	52.75	69.15	64.27	59.47	56.22	56.12
		LWB	65.11	59.69	54.33	48.98	42.91	67.47	62.10	56.79	51.39	45.23	68.99	63.66	58.38	52.87	46.82
		KW	79.54	78.02	76.69	75.59	75.25	80.09	78.55	77.20	76.15	76.09	80.52	78.98	77.62	76.80	76.79
219	TC	1052	963	880	808	783	1085	995	911	845	838	1108	1017	932	880	879	
	SHC	391	510	626	738	783	411	557	700	828	838	428	599	766	880	879	
	LDB	64.97	59.82	54.77	49.86	47.83	67.44	62.43	57.49	53.04	52.58	69.04	64.17	59.37	56.05	55.95	
263	LWB	64.97	59.55	54.21	48.88	42.82	67.35	61.99	56.69	51.30	45.14	68.89	63.57	58.29	52.80	46.74	
	KW	76.60	75.33	74.21	73.26	72.93	77.07	75.75	74.61	73.74	73.64	77.46	76.11	74.96	74.27	74.26	
	TC	1059	969	885	812	786	1093	1001	916	849	841	1116	1024	938	884	883	
306	SHC	394	512	628	740	786	413	559	702	831	841	431	602	768	884	883	
	LDB	64.88	59.73	54.69	49.78	47.71	67.36	62.36	57.42	52.96	52.46	68.98	64.10	59.31	55.93	55.83	
	KW	64.88	59.47	54.13	48.80	42.76	67.28	61.92	56.62	51.24	45.09	68.82	63.51	58.24	52.75	46.68	
219	LWB	74.67	73.54	72.56	71.74	71.45	75.11	73.92	72.89	72.14	72.06	75.43	74.23	73.19	72.60	72.59	
	TC	1064	973	889	815	788	1098	1006	920	852	844	1122	1029	942	887	886	
	SHC	395	514	629	742	788	415	561	703	832	844	433	603	770	887	886	
263	LDB	64.82	59.67	54.63	49.73	47.62	67.30	62.31	57.38	52.90	52.37	68.93	64.06	59.27	55.85	55.74	
	LWB	64.82	59.41	54.07	48.75	42.71	67.22	61.87	56.57	51.20	45.04	68.78	63.47	58.20	52.71	46.64	
	KW	73.30	72.28	71.42	70.69	70.42	73.71	72.62	71.70	71.05	70.97	74.02	72.91	71.97	71.45	71.44	

LEGEND

- BF** — Bypass Factor
- EDB** — Entering Dry Bulb (F)
- EWB** — Entering Wet Bulb (F)
- EWT** — Entering Water Temperature (F)
- kW** — Compressor Motor Power Input (kilowatts)
- LDB** — Leaving Dry Bulb (F)
- LWB** — Leaving Wet Bulb (F)
- SHC** — Sensible Capacity (1000 Btu/hr)
- TC** — Total Capacity (1000 Btu/hr)

Performance data (cont)



GROSS COOLING CAPACITIES (cont)

50XJB104 WITH (2) 13 HP COMPRESSORS AND (2) 25 HP COMPRESSORS

EWT (F)	GPM	BF	AIR ENTERING EVAPORATOR — CFM AT 80 F EDB															
			22,300					28,000					33,500					
			Air Entering Evaporator — Ewb (F)															
			77	72	67	62	57	77	72	67	62	57	77	72	67	62	57	
0.001	0.054	0.054	0.057	0.184	0.043	0.071	0.071	0.087	0.301	0.068	0.087	0.087	0.133	0.386				
65	190	TC	1223	1120	1024	939	886	1270	1165	1068	984	954	1302	1196	1097	1017	1005	
		SHC	451	572	689	803	886	473	620	765	903	954	492	664	834	986	1005	
		LDB	62.67	57.39	52.25	47.25	43.58	65.53	60.45	55.44	50.64	48.77	67.43	62.48	57.59	53.17	52.49	
	238	LWB	62.67	57.18	51.78	46.43	40.65	65.49	60.06	54.69	49.32	43.28	67.31	61.93	56.61	51.22	45.10	
		KW	54.32	52.84	51.66	50.64	50.06	54.94	53.53	52.25	51.22	50.84	55.49	53.93	52.62	51.64	51.51	
		TC	1231	1126	1029	943	889	1279	1172	1073	988	958	1312	1204	1104	1022	1010	
	285	SHC	453	574	691	805	889	476	623	767	905	958	495	667	837	989	1010	
		LDB	62.57	57.29	52.17	47.17	43.46	65.44	60.37	55.37	50.57	48.65	67.35	62.40	57.51	53.09	52.37	
		LWB	62.57	57.08	51.69	46.35	40.59	65.40	59.97	54.62	49.25	43.22	67.23	61.85	56.54	51.16	45.04	
	75	190	KW	52.73	51.30	50.19	49.24	48.69	53.45	51.91	50.70	49.78	49.42	53.99	52.44	51.11	50.17	50.05
			TC	1236	1130	1032	945	890	1284	1177	1077	991	960	1318	1209	1108	1025	1012
			SHC	455	576	693	806	890	478	625	769	907	960	497	669	838	991	1012
238		LDB	62.50	57.23	52.12	47.13	43.40	65.38	60.32	55.32	50.51	48.58	67.30	62.35	57.47	53.04	52.30	
		LWB	62.50	57.02	51.64	46.31	40.55	65.34	59.92	54.57	49.21	43.19	67.18	61.81	56.50	51.12	45.00	
		KW	51.67	50.35	49.23	48.33	47.81	52.36	50.95	49.76	48.83	48.49	52.87	51.40	50.16	49.21	49.09	
333		TC	1240	1133	1035	947	892	1288	1180	1080	993	961	1322	1213	1111	1028	1014	
		SHC	457	577	694	807	892	480	626	770	908	961	499	671	840	992	1014	
		LDB	62.45	57.18	52.08	47.09	43.34	65.33	60.27	55.28	50.48	48.53	67.26	62.32	57.43	53.01	52.24	
85		190	LWB	62.45	56.98	51.60	46.27	40.53	65.30	59.88	54.54	49.18	43.16	67.15	61.77	56.46	51.09	44.98
			KW	50.97	49.63	48.56	47.70	47.20	51.62	50.22	49.05	48.17	47.84	52.11	50.69	49.45	48.54	48.42
			TC	1189	1089	996	913	867	1234	1132	1037	957	932	1263	1160	1064	988	980
	238	SHC	438	559	676	791	867	461	607	752	890	932	479	651	821	970	980	
		LDB	63.15	57.89	52.78	47.76	44.37	65.91	60.85	55.85	51.07	49.49	67.75	62.82	57.94	53.61	53.17	
		LWB	63.15	57.67	52.27	46.91	41.06	65.86	60.44	55.09	49.71	43.64	67.63	62.26	56.95	51.55	45.42	
	285	KW	59.43	58.07	56.92	56.08	55.68	60.13	58.71	57.45	56.59	56.30	60.62	59.12	57.85	56.92	56.83	
		TC	1197	1096	1002	918	870	1243	1140	1044	962	936	1274	1169	1071	994	985	
		SHC	442	562	678	793	870	464	610	755	892	936	483	654	824	973	985	
	333	LDB	63.03	57.78	52.68	47.67	44.24	65.81	60.76	55.76	50.99	49.36	67.67	62.73	57.86	53.53	53.04	
		LWB	63.03	57.56	52.17	46.83	40.99	65.77	60.35	55.00	49.63	43.57	67.54	62.18	56.88	51.48	45.36	
		KW	57.48	56.22	55.18	54.31	53.95	58.13	56.79	55.69	54.83	54.50	58.60	57.20	56.01	55.16	55.07	
95	190	TC	1203	1100	1005	921	872	1249	1145	1048	965	939	1281	1175	1076	998	988	
		SHC	443	564	680	794	872	466	612	756	894	939	485	657	826	975	988	
		LDB	62.95	57.71	52.62	47.61	44.16	65.75	60.70	55.71	50.93	49.27	67.61	62.68	57.81	53.47	52.95	
	238	LWB	62.95	57.49	52.11	46.77	40.95	65.70	60.29	54.95	49.58	43.53	67.49	62.13	56.83	51.44	45.32	
		KW	56.24	55.05	54.05	53.25	52.85	56.84	55.61	54.53	53.73	53.44	57.29	55.99	54.86	54.03	53.94	
		TC	1207	1103	1008	923	873	1254	1149	1051	968	940	1286	1179	1079	1000	991	
	285	SHC	445	565	681	795	873	467	614	758	895	940	487	658	827	977	991	
		LDB	62.90	57.66	52.57	47.57	44.10	65.70	60.65	55.67	50.89	49.21	67.57	62.64	57.77	53.43	52.89	
		LWB	62.90	57.44	52.06	46.73	40.92	65.66	60.25	54.91	49.55	43.50	67.45	62.09	56.79	51.41	45.29	
	333	KW	55.35	54.19	53.25	52.52	52.13	55.95	54.72	53.70	52.94	52.68	56.41	55.10	54.01	53.23	53.14	
		TC	1151	1054	965	885	844	1193	1095	1003	926	907	1220	1120	1028	956	953	
		SHC	425	546	662	777	844	447	594	738	874	907	465	637	805	956	953	
85	190	LDB	63.66	58.43	53.34	48.33	45.31	66.33	61.28	56.30	51.58	50.29	68.12	63.19	58.34	53.98	53.92	
		LWB	63.66	58.19	52.80	47.45	41.54	66.27	60.87	55.52	50.15	44.03	67.99	62.63	57.32	51.92	45.78	
		KW	65.95	64.65	63.55	62.68	62.27	66.62	65.28	64.12	63.18	63.00	67.01	65.63	64.41	63.54	63.50	
238	TC	1160	1062	971	890	848	1204	1104	1011	931	912	1231	1130	1035	964	958		
	SHC	429	549	665	779	848	450	597	741	877	912	469	640	809	953	958		
	LDB	63.53	58.31	53.22	48.22	45.15	66.23	61.18	56.20	51.49	50.15	68.02	63.10	58.24	54.06	53.78		
285	LWB	63.53	58.08	52.69	47.35	41.46	66.17	60.76	55.43	50.07	43.96	67.89	62.54	57.25	51.84	45.71		
	KW	63.52	62.39	61.47	60.71	60.36	64.11	62.93	61.95	61.14	60.97	64.48	63.22	62.18	61.45	61.40		
	TC	1166	1067	975	893	850	1210	1109	1015	935	915	1239	1136	1040	967	962		
333	SHC	431	550	667	781	850	453	599	743	878	915	471	642	811	956	962		
	LDB	63.45	58.23	53.15	48.16	45.05	66.16	61.12	56.14	51.43	50.06	67.96	63.05	58.19	53.99	53.68		
	LWB	63.45	58.00	52.63	47.29	41.41	66.10	60.70	55.37	50.02	43.92	67.84	62.49	57.20	51.79	45.67		
85	190	KW	61.97	60.94	60.10	59.44	59.15	62.48	61.43	60.53	59.82	59.66	62.90	61.71	60.74	60.08	60.03	
		TC	1170	1070	978	895	852	1215	1113	1019	938	917	1244	1140	1044	970	964	
		SHC	432	552	668	782	852	454	600	744	880	917	473	644	812	958	964	
238	LDB	63.39	58.17	53.10	48.11	44.98	66.11	61.07	56.09	51.38	49.99	67.92	63.00	58.15	53.94	53.62		
	LWB	63.39	57.95	52.58	47.25	41.37	66.05	60.66	55.33	49.98	43.88	67.79	62.45	57.16	51.76	45.64		
	KW	60.89	59.87	59.11	58.54	58.28	61.46	60.32	59.50	58.88	58.74	61.84	60.62	59.69	59.10	59.05		

LEGEND

- BF — Bypass Factor
- EDB — Entering Dry Bulb (F)
- EWB — Entering Wet Bulb (F)
- EWT — Entering Water Temperature (F)
- KW — Compressor Motor Power Input (kilowatts)
- LDB — Leaving Dry Bulb (F)
- LWB — Leaving Wet Bulb (F)
- SHC — Sensible Capacity (1000 Btu/hr)
- TC — Total Capacity (1000 Btu/hr)



GROSS COOLING CAPACITIES (cont)

50XJB104 WITH (2) 13 HP COMPRESSORS AND (2) 25 HP COMPRESSORS (cont)

EWT (F)	GPM	BF	AIR ENTERING EVAPORATOR — CFM AT 80 F EDB														
			22,300					28,000					33,500				
			Air Entering Evaporator — Ewb (F)														
			77	72	67	62	57	77	72	67	62	57	77	72	67	62	57
0.001	0.054	0.054	0.057	0.184	0.043	0.071	0.071	0.087	0.301	0.068	0.087	0.087	0.133	0.386			
95	190	TC	1110	1017	930	854	819	1149	1054	965	892	879	1173	1077	989	925	923
		SHC	411	531	647	761	819	432	578	722	856	879	450	621	789	925	923
		LDB	64.20	59.01	53.93	48.95	46.34	66.79	61.76	56.80	52.16	51.23	68.51	63.60	58.77	54.83	54.74
	238	LWB	64.20	58.76	53.38	48.03	42.06	66.72	61.34	56.00	50.63	44.49	68.37	63.02	57.72	52.28	46.17
		KW	73.64	72.24	71.05	70.12	69.64	74.27	72.83	71.59	70.56	70.45	74.66	73.20	71.93	71.08	71.06
		TC	1120	1025	937	859	823	1159	1063	973	898	884	1185	1087	996	931	929
	285	SHC	414	534	650	764	823	436	582	725	859	884	453	625	793	931	929
		LDB	64.07	58.88	53.81	48.84	46.17	66.68	61.65	56.69	52.05	51.06	68.41	63.50	58.67	54.67	54.59
		LWB	64.07	58.63	53.27	47.93	41.98	66.62	61.23	55.91	50.54	44.41	68.27	62.93	57.64	52.22	46.10
	333	KW	70.93	69.77	68.77	67.96	67.55	71.52	70.27	69.21	68.36	68.23	71.87	70.57	69.50	68.77	68.74
		TC	1126	1030	941	863	826	1167	1069	978	902	887	1192	1094	1002	934	932
		SHC	417	536	652	766	826	438	584	727	861	887	456	627	795	934	932
105	190	LDB	63.99	58.80	53.73	48.77	46.07	66.60	61.58	56.62	51.98	50.96	68.35	63.44	58.61	54.56	54.48
		LWB	63.99	58.56	53.19	47.86	41.93	66.54	61.16	55.85	50.49	44.36	68.21	62.87	57.59	52.17	46.05
		KW	69.22	68.15	67.27	66.58	66.24	69.76	68.62	67.66	66.93	66.82	70.05	68.90	67.90	67.26	67.24
238	TC	1130	1034	944	865	827	1172	1073	981	905	890	1198	1098	1006	937	935	
	SHC	418	537	653	767	827	440	585	729	863	890	458	629	797	937	935	
	LDB	63.93	58.74	53.68	48.72	45.99	66.55	61.53	56.58	51.93	50.88	68.30	63.40	58.57	54.49	54.41	
333	LWB	63.93	58.50	53.14	47.82	41.89	66.49	61.11	55.80	50.45	44.32	68.17	62.83	57.55	52.14	46.01	
	KW	67.94	66.98	66.19	65.58	65.27	68.46	67.41	66.55	65.91	65.81	68.74	67.65	66.76	66.18	66.16	
	TC	1066	977	893	820	792	1100	1009	925	857	848	1124	1032	947	892	891	
105	190	SHC	396	515	631	744	792	416	562	705	836	848	433	604	772	892	891
		LDB	64.79	59.61	54.56	49.62	47.44	67.28	62.27	57.33	52.80	52.22	68.92	64.03	59.22	55.73	55.62
		LWB	64.79	59.35	53.99	48.65	42.62	67.20	61.83	56.51	51.13	44.97	68.77	63.43	58.15	52.66	46.59
	238	KW	82.26	80.74	79.42	78.32	77.85	82.86	81.28	79.92	78.82	78.73	83.28	81.71	80.33	79.50	79.49
		TC	1076	985	901	826	796	1112	1019	932	863	854	1136	1042	955	898	897
		SHC	399	518	635	747	796	420	565	709	839	854	437	608	776	898	897
	285	LDB	64.65	59.49	54.43	49.49	47.26	67.17	62.16	57.21	52.68	52.05	68.82	63.93	59.12	55.56	55.46
		LWB	64.65	59.23	53.87	48.54	42.53	67.09	61.72	56.42	51.04	44.89	68.67	63.34	58.07	52.59	46.51
		KW	79.32	78.07	76.95	75.99	75.57	79.86	78.52	77.35	76.44	76.32	80.24	78.87	77.69	76.99	76.98
	333	TC	1083	990	905	830	799	1119	1025	938	867	857	1143	1049	960	902	901
		SHC	402	520	636	749	799	422	568	711	842	857	440	611	778	902	901
		LDB	64.57	59.41	54.36	49.42	47.14	67.09	62.09	57.14	52.61	51.94	68.75	63.87	59.06	55.45	55.35
105	285	LWB	64.57	59.15	53.80	48.47	42.47	67.02	61.66	56.35	50.98	44.84	68.61	63.28	58.01	52.55	46.46
		KW	77.45	76.30	75.33	74.53	74.16	77.95	76.73	75.68	74.90	74.79	78.28	77.04	75.98	75.37	75.35
		TC	1087	994	908	833	801	1125	1030	941	870	860	1149	1053	964	905	904
105	333	SHC	403	522	638	751	801	424	569	712	843	860	442	612	779	905	904
		LDB	64.50	59.35	54.31	49.37	47.06	67.04	62.04	57.09	52.55	51.86	68.71	63.83	59.02	55.37	55.27
		LWB	64.50	59.09	53.75	48.42	42.43	66.96	61.61	56.31	50.94	44.80	68.56	63.24	57.97	52.51	46.42
105	333	KW	76.06	75.03	74.17	73.46	73.10	76.52	75.41	74.48	73.78	73.69	76.83	75.70	74.74	74.19	74.18

LEGEND

- BF** — Bypass Factor
- EDB** — Entering Dry Bulb (F)
- EWB** — Entering Wet Bulb (F)
- EWT** — Entering Water Temperature (F)
- kW** — Compressor Motor Power Input (kilowatts)
- LDB** — Leaving Dry Bulb (F)
- LWB** — Leaving Wet Bulb (F)
- SHC** — Sensible Capacity (1000 Btu/hr)
- TC** — Total Capacity (1000 Btu/hr)

Performance data (cont)



GROSS COOLING CAPACITIES (cont)

50XJD104 WITH (2) 15 HP COMPRESSORS AND (2) 25 HP COMPRESSORS

EWT (F)	GPM	BF	AIR ENTERING EVAPORATOR — CFM AT 80 F EDB														
			22,300					28,000					33,500				
			Air Entering Evaporator — Ewb (F)														
			77	72	67	62	57	77	72	67	62	57	77	72	67	62	57
0.001	0.052	0.054	0.055	0.152	0.033	0.071	0.07	0.081	0.272	0.063	0.087	0.086	0.118	0.358			
65	200	TC	1286	1177	1077	986	922	1337	1226	1124	1033	995	1373	1261	1156	1070	1050
		SHC	473	595	712	827	922	497	644	789	929	995	516	689	859	1016	1050
		LDB	61.81	56.48	51.33	46.30	42.10	64.81	59.71	54.68	49.82	47.44	66.81	61.85	56.93	52.36	51.28
	250	LWB	61.81	56.29	50.87	45.52	39.88	64.79	59.34	53.96	48.60	42.62	66.72	61.32	55.98	50.59	44.51
		TC	1294	1184	1082	990	924	1347	1234	1130	1038	998	1383	1269	1163	1075	1054
		SHC	476	598	715	829	924	500	647	792	931	998	519	692	862	1019	1054
	300	LDB	61.69	56.38	51.23	46.22	42.01	64.71	59.62	54.60	49.74	47.31	66.73	61.77	56.86	52.29	51.16
		LWB	61.69	56.19	50.77	45.44	39.83	64.69	59.25	53.88	48.52	42.55	66.64	61.24	55.91	50.53	44.45
		KW	57.22	55.72	54.53	53.54	52.82	58.00	56.37	55.08	54.06	53.64	58.54	56.88	55.52	54.52	54.26
	350	TC	1299	1188	1085	993	926	1353	1239	1134	1042	1001	1390	1275	1168	1079	1057
		SHC	478	599	716	830	926	502	649	793	933	1001	521	694	864	1021	1057
		LDB	61.62	56.31	51.17	46.16	41.93	64.64	59.56	54.55	49.68	47.23	66.67	61.72	56.81	52.23	51.08
75	200	LWB	61.62	56.12	50.71	45.38	39.79	64.63	59.19	53.82	48.48	42.51	66.58	61.19	55.86	50.49	44.41
		TC	1303	1191	1088	995	927	1357	1243	1137	1044	1003	1394	1279	1171	1081	1059
		SHC	479	600	717	831	927	504	650	795	934	1003	523	695	865	1022	1059
	250	LDB	61.57	56.27	51.13	46.12	41.88	64.59	59.51	54.51	49.65	47.17	66.63	61.68	56.77	52.20	51.03
		LWB	61.57	56.08	50.67	45.34	39.76	64.58	59.15	53.79	48.45	42.48	66.54	61.16	55.83	50.46	44.39
		KW	55.19	53.83	52.70	51.79	51.17	55.91	54.46	53.22	52.25	51.87	56.43	54.96	53.64	52.69	52.43
	300	TC	1250	1144	1046	959	901	1299	1191	1091	1005	971	1332	1224	1123	1039	1025
		SHC	460	582	699	813	901	483	630	775	914	971	502	675	845	1000	1025
		LDB	62.31	57.00	51.87	46.84	42.97	65.22	60.14	55.12	50.27	48.20	67.17	62.21	57.30	52.80	51.96
	350	LWB	62.31	56.81	51.40	46.05	40.33	65.19	59.75	54.38	49.01	43.00	67.06	61.67	56.33	50.95	44.84
		TC	1259	1152	1053	964	904	1309	1200	1099	1010	976	1343	1233	1130	1045	1030
		SHC	463	585	702	816	904	487	634	778	917	976	506	678	848	1003	1030
85	200	LDB	62.18	56.89	51.76	46.75	42.83	65.11	60.04	55.02	50.19	48.06	67.07	62.12	57.21	52.71	51.82
		LWB	62.18	56.69	51.29	45.95	40.26	65.09	59.65	54.29	48.93	42.93	66.97	61.58	56.26	50.88	44.77
		KW	62.55	61.18	60.04	59.20	58.66	63.24	61.78	60.57	59.65	59.31	63.77	62.27	61.00	60.02	59.89
	250	TC	1265	1157	1057	967	906	1316	1205	1103	1014	978	1351	1239	1135	1050	1033
		SHC	466	587	703	817	906	489	636	780	919	978	508	680	850	1005	1033
		LDB	62.09	56.81	51.69	46.68	42.74	65.04	59.97	54.96	50.13	47.97	67.01	62.06	57.16	52.66	51.73
	300	LWB	62.09	56.61	51.22	45.89	40.21	65.02	59.59	54.23	48.88	42.88	66.91	61.53	56.20	50.83	44.73
		TC	1269	1160	1059	969	908	1320	1209	1106	1016	980	1356	1244	1139	1052	1035
		SHC	467	588	705	819	908	491	637	781	920	980	510	682	852	1007	1035
	350	LDB	62.03	56.75	51.64	46.64	42.68	64.99	59.92	54.92	50.09	47.91	66.97	62.02	57.13	52.61	51.67
		LWB	62.03	56.56	51.17	45.85	40.18	64.97	59.54	54.19	48.84	42.85	66.87	61.49	56.17	50.80	44.70
		KW	60.16	58.92	57.91	57.09	56.61	60.77	59.46	58.36	57.51	57.19	61.24	59.90	58.75	57.89	57.73
85	200	TC	1210	1108	1013	929	878	1256	1153	1056	973	945	1288	1182	1084	1005	996
		SHC	446	567	684	798	878	468	615	760	898	945	487	659	829	980	996
		LDB	62.86	57.59	52.46	47.45	43.91	65.67	60.61	55.60	50.79	49.05	67.55	62.61	57.72	53.33	52.76
	250	LWB	62.86	57.37	51.97	46.62	40.82	65.63	60.20	54.84	49.47	43.42	67.43	62.06	56.74	51.35	45.22
		TC	1219	1116	1020	934	882	1267	1162	1064	979	950	1300	1193	1093	1012	1001
		SHC	449	570	687	801	882	472	619	763	901	950	491	663	833	984	1001
	300	LDB	62.73	57.46	52.34	47.33	43.75	65.55	60.50	55.49	50.69	48.90	67.44	62.51	57.62	53.22	52.60
		LWB	62.73	57.25	51.86	46.52	40.74	65.52	60.10	54.75	49.39	43.35	67.33	61.96	56.65	51.27	45.15
		KW	69.29	68.04	67.03	66.15	65.67	69.93	68.61	67.52	66.67	66.33	70.45	69.04	67.87	67.01	66.91
	350	TC	1226	1121	1024	937	884	1274	1168	1069	983	953	1307	1199	1098	1016	1005
		SHC	452	572	689	803	884	475	621	765	903	953	494	666	835	987	1005
		LDB	62.64	57.38	52.26	47.27	43.64	65.48	60.42	55.43	50.63	48.80	67.38	62.44	57.56	53.15	52.50
350	LWB	62.64	57.17	51.78	46.45	40.68	65.45	60.03	54.68	49.33	43.29	67.27	61.90	56.59	51.22	45.10	
	TC	1230	1125	1027	940	886	1279	1172	1072	986	955	1313	1204	1102	1020	1008	
	SHC	453	574	690	804	886	477	623	767	905	955	496	667	836	989	1008	
350	LDB	62.57	57.31	52.21	47.22	43.57	65.42	60.37	55.38	50.59	48.72	67.33	62.40	57.52	53.10	52.43	
	LWB	62.57	57.11	51.73	46.41	40.64	65.39	59.98	54.64	49.29	43.26	67.22	61.86	56.55	51.18	45.07	
	KW	66.30	65.25	64.42	63.76	63.39	66.84	65.72	64.81	64.14	63.88	67.34	66.10	65.12	64.40	64.32	

LEGEND

- BF — Bypass Factor
- EDB — Entering Dry Bulb (F)
- EWB — Entering Wet Bulb (F)
- EWT — Entering Water Temperature (F)
- KW — Compressor Motor Power Input (kilowatts)
- LDB — Leaving Dry Bulb (F)
- LWB — Leaving Wet Bulb (F)
- SHC — Sensible Capacity (1000 Btu/hr)
- TC — Total Capacity (1000 Btu/hr)



GROSS COOLING CAPACITIES (cont)

50XJD104 WITH (2) 15 HP COMPRESSORS AND (2) 25 HP COMPRESSORS (cont)

EWT (F)	GPM	BF	AIR ENTERING EVAPORATOR — CFM AT 80 F EDB														
			22,300					28,000					33,500				
			Air Entering Evaporator — Ewb (F)														
			77	72	67	62	57	77	72	67	62	57	77	72	67	62	57
0.001	0.052	0.054	0.055	0.152	0.033	0.071	0.07	0.081	0.272	0.063	0.087	0.086	0.118	0.358			
95	200	TC	1166	1068	977	896	853	1210	1110	1017	937	917	1238	1137	1043	969	964
		SHC	431	551	668	782	853	453	599	743	880	917	471	643	811	958	964
		LDB	63.45	58.21	53.12	48.10	44.95	66.15	61.10	56.12	51.37	49.98	67.96	63.04	58.18	53.92	53.62
		LWB	63.45	57.98	52.59	47.24	41.36	66.10	60.69	55.34	49.99	43.88	67.84	62.48	57.17	51.77	45.64
	KW	80.29	78.77	77.43	76.34	75.81	81.09	79.53	78.12	76.94	76.70	81.57	79.93	78.51	77.39	77.35	
	250	TC	1177	1077	984	902	857	1221	1120	1025	944	922	1250	1147	1051	977	970
		SHC	434	555	671	785	857	457	603	747	884	922	475	647	816	962	970
		LDB	63.31	58.07	52.99	47.98	44.77	66.03	60.99	56.00	51.26	49.82	67.86	62.94	58.07	53.81	53.46
		LWB	63.31	57.84	52.47	47.13	41.27	65.99	60.58	55.24	49.89	43.80	67.74	62.38	57.08	51.68	45.56
	KW	77.38	76.06	74.96	74.00	73.56	78.07	76.69	75.55	74.56	74.29	78.52	77.06	75.83	74.95	74.85	
	300	TC	1184	1082	989	905	860	1229	1126	1031	949	925	1259	1155	1057	981	974
		SHC	437	557	673	787	860	459	605	749	886	925	478	649	818	965	974
LDB		63.22	57.98	52.91	47.91	44.66	65.96	60.92	55.93	51.19	49.71	67.79	62.87	58.00	53.73	53.35	
LWB		63.22	57.76	52.39	47.06	41.20	65.91	60.51	55.17	49.82	43.74	67.67	62.32	57.02	51.63	45.51	
KW	75.46	74.28	73.29	72.48	72.11	76.06	74.86	73.80	72.96	72.72	76.47	75.20	74.08	73.27	73.20		
350	TC	1188	1086	992	908	862	1234	1131	1034	952	928	1265	1159	1061	984	977	
	SHC	438	558	674	788	862	461	607	751	888	928	480	651	820	967	977	
	LDB	63.15	57.92	52.85	47.86	44.57	65.90	60.86	55.88	51.13	49.63	67.74	62.83	57.96	53.67	53.27	
	LWB	63.15	57.70	52.33	47.01	41.16	65.86	60.46	55.12	49.78	43.71	67.62	62.27	56.98	51.59	45.47	
KW	74.07	73.00	72.11	71.41	71.08	74.65	73.51	72.57	71.83	71.61	75.05	73.83	72.82	72.09	72.03		
105	200	TC	1120	1026	938	861	824	1160	1064	975	899	885	1185	1089	998	932	930
		SHC	415	534	650	765	824	436	582	726	860	885	454	625	793	932	930
		LDB	64.07	58.87	53.80	48.81	46.12	66.67	61.64	56.68	52.01	51.02	68.41	63.50	58.65	54.64	54.55
		LWB	64.07	58.62	53.24	47.90	41.95	66.61	61.22	55.89	50.53	44.39	68.27	62.92	57.62	52.20	46.08
	KW	89.69	87.99	86.49	85.26	84.62	90.48	88.73	87.20	85.87	85.70	90.96	89.21	87.63	86.46	86.48	
	250	TC	1131	1035	946	867	829	1172	1074	983	906	891	1198	1100	1007	939	936
		SHC	418	538	654	768	829	440	586	730	864	891	458	629	797	939	936
		LDB	63.93	58.72	53.65	48.68	45.93	66.55	61.52	56.55	51.89	50.83	68.29	63.39	58.54	54.45	54.38
		LWB	63.93	58.48	53.12	47.79	41.86	66.49	61.10	55.78	50.43	44.30	68.16	62.82	57.53	52.12	46.00
	KW	86.50	85.06	83.82	82.73	82.18	87.23	85.71	84.40	83.30	83.11	87.64	86.09	84.75	83.81	83.75	
	300	TC	1138	1041	951	871	832	1180	1081	989	911	895	1207	1107	1013	943	941
		SHC	421	540	656	770	832	443	588	732	866	895	461	632	800	943	941
LDB		63.83	58.63	53.57	48.60	45.81	66.46	61.44	56.48	51.81	50.71	68.22	63.32	58.48	54.33	54.26	
LWB		63.83	58.39	53.03	47.71	41.79	66.41	61.02	55.71	50.36	44.24	68.09	62.76	57.47	52.07	45.94	
KW	84.43	83.13	82.02	81.09	80.62	85.07	83.73	82.54	81.58	81.43	85.43	84.07	82.85	81.99	81.96		
350	TC	1143	1045	954	874	834	1186	1086	993	914	898	1213	1112	1017	946	944	
	SHC	423	542	658	771	834	445	590	734	868	898	463	634	802	946	944	
	LDB	63.76	58.57	53.51	48.54	45.72	66.40	61.39	56.43	51.76	50.62	68.17	63.28	58.43	54.25	54.17	
	LWB	63.76	58.33	52.98	47.66	41.75	66.35	60.97	55.66	50.32	44.19	68.04	62.71	57.43	52.04	45.90	
KW	82.91	81.74	80.75	79.94	79.51	83.55	82.29	81.23	80.37	80.24	83.88	82.59	81.49	80.72	80.69		

LEGEND

- BF** — Bypass Factor
- EDB** — Entering Dry Bulb (F)
- EWB** — Entering Wet Bulb (F)
- EWT** — Entering Water Temperature (F)
- kW** — Compressor Motor Power Input (kilowatts)
- LDB** — Leaving Dry Bulb (F)
- LWB** — Leaving Wet Bulb (F)
- SHC** — Sensible Capacity (1000 Btu/hr)
- TC** — Total Capacity (1000 Btu/hr)

Performance data (cont)



COOLING CAPACITIES (cont)

50XJE104 WITH (2) 20 HP COMPRESSORS AND (2) 25 HP COMPRESSORS

EWT (F)	GPM	BF	AIR ENTERING EVAPORATOR — CFM AT 80 F EDB														
			22,300					28,000					33,500				
			Air Entering Evaporator — Ewb (F)														
			77	72	67	62	57	77	72	67	62	57	77	72	67	62	57
0.001	0.05	0.053	0.053	0.102	0.002	0.069	0.07	0.076	0.226	0.052	0.086	0.085	0.104	0.317			
65	225	TC	1380	1261	1152	1054	977	1442	1321	1209	1110	1054	1484	1361	1247	1149	1115
		SHC	507	630	747	861	967	533	682	826	967	1054	554	726	897	1058	1115
		LDB	60.47	55.11	49.96	44.92	40.26	63.68	58.53	53.51	48.59	45.50	65.85	60.86	55.93	51.24	49.49
		LWB	60.47	54.95	49.52	44.18	38.66	63.68	58.22	52.82	47.46	41.63	65.79	60.37	55.01	49.66	43.63
	281	TC	1387	1267	1157	1058	980	1451	1329	1215	1114	1057	1493	1369	1254	1154	1119
		SHC	510	632	749	863	969	536	685	829	970	1057	557	730	900	1061	1119
		LDB	60.37	55.00	49.86	44.83	40.18	63.58	58.43	53.43	48.51	45.39	65.76	60.78	55.86	51.16	49.37
		LWB	60.37	54.85	49.43	44.10	38.60	63.58	58.12	52.74	47.40	41.58	65.70	60.29	54.94	49.59	43.57
	338	TC	1392	1271	1160	1060	983	1457	1334	1219	1117	1059	1500	1375	1258	1158	1122
		SHC	512	634	751	865	970	538	687	830	971	1059	559	732	902	1063	1122
		LDB	60.29	54.93	49.80	44.76	40.12	63.52	58.37	53.37	48.46	45.32	65.70	60.72	55.81	51.11	49.30
		LWB	60.29	54.78	49.37	44.05	38.55	63.52	58.06	52.68	47.35	41.54	65.65	60.24	54.89	49.55	43.54
394	TC	1395	1274	1163	1062	984	1461	1337	1222	1119	1061	1505	1379	1262	1160	1124	
	SHC	513	635	752	866	971	540	688	831	972	1061	561	733	903	1065	1124	
	LDB	60.24	54.88	49.76	44.72	40.08	63.47	58.33	53.34	48.42	45.26	65.67	60.69	55.77	51.07	49.25	
	LWB	60.24	54.73	49.33	44.02	38.52	63.47	58.02	52.65	47.32	41.51	65.61	60.20	54.86	49.52	43.51	
75	225	TC	1342	1228	1122	1027	953	1401	1284	1176	1079	1031	1441	1322	1212	1117	1089
		SHC	494	616	733	848	953	519	667	811	952	1031	539	712	882	1043	1089
		LDB	61.00	55.66	50.50	45.47	40.81	64.11	58.98	53.97	49.07	46.26	66.23	61.25	56.32	51.66	50.20
		LWB	61.00	55.48	50.06	44.71	39.19	64.11	58.66	53.27	47.92	42.02	66.15	60.74	55.39	50.03	43.98
	281	TC	1351	1235	1128	1031	957	1412	1292	1183	1085	1035	1452	1331	1219	1123	1094
		SHC	497	619	736	850	957	523	670	814	955	1035	543	715	885	1046	1094
		LDB	60.88	55.54	50.40	45.38	40.68	64.01	58.88	53.88	48.98	46.13	66.13	61.16	56.24	51.58	50.07
		LWB	60.88	55.37	49.96	44.62	39.12	64.01	58.56	53.18	47.84	41.95	66.06	60.66	55.31	49.96	43.92
	338	TC	1357	1240	1132	1035	959	1418	1298	1187	1088	1037	1459	1337	1224	1127	1097
		SHC	499	621	737	852	959	525	673	816	957	1037	545	717	887	1048	1097
		LDB	60.80	55.46	50.33	45.31	40.59	63.93	58.81	53.82	48.92	46.04	66.07	61.10	56.18	51.52	49.98
		LWB	60.80	55.29	49.89	44.56	39.07	63.93	58.49	53.12	47.79	41.91	66.00	60.60	55.26	49.91	43.87
394	TC	1361	1243	1134	1037	960	1423	1302	1190	1091	1039	1464	1342	1228	1130	1099	
	SHC	500	622	739	853	960	527	674	818	958	1039	547	719	889	1049	1099	
	LDB	60.74	55.41	50.28	45.27	40.53	63.88	58.77	53.78	48.88	45.98	66.02	61.06	56.14	51.49	49.92	
	LWB	60.74	55.24	49.84	44.52	39.04	63.88	58.44	53.08	47.75	41.88	65.95	60.56	55.22	49.88	43.84	
85	225	TC	1302	1191	1089	997	929	1357	1243	1138	1045	1004	1394	1279	1172	1083	1060
		SHC	479	601	718	832	929	504	651	795	935	1004	523	695	865	1024	1060
		LDB	61.58	56.25	51.11	46.08	41.82	64.59	59.51	54.49	49.61	47.13	66.64	61.68	56.76	52.15	50.99
		LWB	61.58	56.07	50.65	45.31	39.73	64.59	59.14	53.77	48.42	42.46	66.55	61.15	55.81	50.44	44.37
	281	TC	1311	1199	1095	1002	933	1367	1252	1146	1051	1009	1405	1289	1181	1089	1065
		SHC	482	604	721	835	933	507	655	798	938	1009	527	699	869	1028	1065
		LDB	61.44	56.13	51.00	45.97	41.67	64.47	59.38	54.38	49.51	46.98	66.53	61.58	56.67	52.06	50.85
		LWB	61.44	55.95	50.54	45.21	39.65	64.47	59.04	53.67	48.33	42.38	66.45	61.06	55.73	50.37	44.30
	338	TC	1318	1204	1099	1005	935	1375	1258	1151	1055	1012	1413	1295	1186	1093	1069
		SHC	485	606	723	837	935	510	657	800	940	1012	530	702	871	1030	1069
		LDB	61.36	56.05	50.92	45.91	41.56	64.40	59.30	54.32	49.45	46.88	66.47	61.51	56.61	52.00	50.75
		LWB	61.36	55.87	50.47	45.14	39.59	64.40	58.97	53.60	48.27	42.33	66.39	61.00	55.67	50.32	44.25
394	TC	1322	1207	1102	1007	937	1380	1262	1154	1058	1014	1419	1300	1190	1096	1071	
	SHC	486	607	724	838	937	512	659	802	942	1014	531	703	873	1032	1071	
	LDB	61.29	55.99	50.87	45.86	41.49	64.34	59.25	54.27	49.40	46.81	66.42	61.47	56.56	51.95	50.68	
	LWB	61.29	55.81	50.42	45.10	39.55	64.34	58.92	53.56	48.23	42.30	66.34	60.95	55.63	50.28	44.22	

LEGEND

- BF — Bypass Factor
- EDB — Entering Dry Bulb (F)
- EWB — Entering Wet Bulb (F)
- EWT — Entering Water Temperature (F)
- kW — Compressor Motor Power Input (kilowatts)
- LDB — Leaving Dry Bulb (F)
- LWB — Leaving Wet Bulb (F)
- SHC — Sensible Capacity (1000 Btu/hr)
- TC — Total Capacity (1000 Btu/hr)



COOLING CAPACITIES (cont)

50XJE104 WITH (2) 20 HP COMPRESSORS AND (2) 25 HP COMPRESSORS (cont)

EWT (F)	GPM	BF	AIR ENTERING EVAPORATOR — CFM AT 80 F EDB														
			22,300					28,000					33,500				
			Air Entering Evaporator — Ewb (F)														
			77	72	67	62	57	77	72	67	62	57	77	72	67	62	57
0.001	0.05	0.053	0.053	0.102	0.002	0.069	0.07	0.076	0.226	0.052	0.086	0.085	0.104	0.317			
95	225	TC	1257	1150	1051	962	902	1308	1199	1097	1009	974	1342	1232	1130	1043	1028
		SHC	463	584	701	815	902	487	633	777	917	974	506	678	847	1003	1028
		LDB	62.21	56.91	51.79	46.78	42.90	65.12	60.05	55.05	50.20	48.11	67.08	62.13	57.23	52.72	51.86
		LWB	62.21	56.72	51.32	45.99	40.30	65.10	59.67	54.31	48.96	42.95	66.98	61.59	56.26	50.91	44.79
	KW	86.61	85.20	84.00	82.96	82.25	87.31	85.82	84.58	83.53	83.11	87.88	86.34	85.07	83.98	83.85	
	281	TC	1268	1158	1058	967	906	1319	1208	1105	1015	979	1355	1243	1138	1051	1034
		SHC	466	587	704	818	906	491	637	781	920	979	510	682	851	1007	1034
		LDB	62.06	56.79	51.66	46.66	42.74	64.99	59.93	54.93	50.09	47.95	66.97	62.03	57.13	52.61	51.71
		LWB	62.06	56.59	51.19	45.88	40.21	64.98	59.55	54.20	48.87	42.87	66.88	61.50	56.18	50.82	44.72
	KW	83.87	82.64	81.61	80.74	80.17	84.46	83.16	82.07	81.19	80.85	84.93	83.62	82.48	81.60	81.44	
	338	TC	1274	1164	1063	971	909	1327	1215	1111	1019	982	1363	1250	1144	1056	1038
		SHC	469	590	706	820	909	493	639	783	922	982	513	684	854	1010	1038
LDB		61.96	56.69	51.58	46.59	42.63	64.91	59.85	54.86	50.03	47.84	66.90	61.96	57.07	52.54	51.60	
LWB		61.96	56.49	51.11	45.80	40.15	64.90	59.48	54.13	48.80	42.82	66.81	61.43	56.12	50.76	44.67	
KW	81.99	80.91	80.05	79.29	78.76	82.51	81.36	80.41	79.68	79.37	82.96	81.76	80.77	80.05	79.88		
394	TC	1279	1168	1066	974	911	1332	1219	1114	1022	985	1369	1254	1148	1059	1040	
	SHC	471	591	708	821	911	495	641	785	924	985	515	686	855	1012	1040	
	LDB	61.90	56.62	51.52	46.53	42.55	64.85	59.80	54.81	49.98	47.76	66.85	61.91	57.02	52.49	51.53	
	LWB	61.90	56.43	51.06	45.75	40.11	64.84	59.43	54.08	48.76	42.78	66.76	61.39	56.07	50.72	44.63	
KW	80.69	79.75	78.93	78.25	77.78	81.16	80.12	79.27	78.58	78.32	81.57	80.47	79.61	78.92	78.76		
105	225	TC	1208	1105	1010	925	874	1255	1151	1053	969	942	1287	1181	1082	1002	993
		SHC	445	566	682	796	874	468	615	758	897	942	487	659	828	979	993
		LDB	62.88	57.63	52.54	47.53	44.07	65.67	60.63	55.65	50.84	49.17	67.54	62.62	57.75	53.36	52.84
		LWB	62.88	57.41	52.03	46.70	40.90	65.64	60.23	54.88	49.53	43.48	67.44	62.07	56.76	51.39	45.26
	KW	96.74	95.19	93.82	92.61	91.94	97.53	95.92	94.52	93.36	92.91	98.14	96.44	95.01	93.78	93.69	
	281	TC	1219	1114	1017	931	878	1267	1161	1062	976	947	1300	1192	1091	1009	999
		SHC	449	569	686	800	878	472	619	762	900	947	492	663	832	984	999
		LDB	62.73	57.49	52.38	47.40	43.90	65.55	60.51	55.52	50.73	48.99	67.43	62.51	57.63	53.24	52.67
		LWB	62.73	57.27	51.90	46.58	40.81	65.52	60.11	54.77	49.43	43.39	67.33	61.97	56.67	51.30	45.18
	KW	93.74	92.39	91.23	90.23	89.66	94.42	93.01	91.81	90.84	90.45	94.96	93.50	92.21	91.21	91.10	
	338	TC	1226	1120	1022	935	881	1275	1167	1067	980	951	1309	1200	1097	1014	1003
		SHC	452	572	688	801	881	475	621	765	903	951	495	666	835	987	1003
LDB		62.63	57.39	52.29	47.34	43.77	65.46	60.43	55.45	50.65	48.87	67.36	62.44	57.56	53.16	52.55	
LWB		62.63	57.18	51.81	46.50	40.75	65.43	60.03	54.70	49.37	43.33	67.25	61.90	56.60	51.24	45.13	
KW	91.70	90.53	89.54	88.66	88.14	92.29	91.06	90.02	89.19	88.83	92.78	91.50	90.38	89.52	89.43		
394	TC	1231	1124	1026	938	883	1281	1172	1071	984	953	1315	1205	1102	1018	1006	
	SHC	454	573	690	803	883	477	623	766	904	953	497	668	836	989	1006	
	LDB	62.56	57.33	52.23	47.26	43.69	65.40	60.37	55.39	50.60	48.79	67.31	62.39	57.52	53.11	52.47	
	LWB	62.56	57.12	51.75	46.45	40.71	65.38	59.98	54.65	49.32	43.29	67.21	61.85	56.56	51.20	45.09	
KW	90.29	89.25	88.33	87.54	87.08	90.82	89.72	88.77	88.01	87.69	91.27	90.12	89.12	88.31	88.23		

LEGEND

- BF** — Bypass Factor
- EDB** — Entering Dry Bulb (F)
- EWB** — Entering Wet Bulb (F)
- EWT** — Entering Water Temperature (F)
- kW** — Compressor Motor Power Input (kilowatts)
- LDB** — Leaving Dry Bulb (F)
- LWB** — Leaving Wet Bulb (F)
- SHC** — Sensible Capacity (1000 Btu/hr)
- TC** — Total Capacity (1000 Btu/hr)

Performance data (cont)



COOLING CAPACITIES (cont) 50XJF104 WITH (4) 25 HP COMPRESSORS

EWT (F)	GPM	BF	AIR ENTERING EVAPORATOR — CFM AT 80 F EDB														
			23,000					28,000					33,500				
			Air Entering Evaporator — Ewb (F)														
			77	72	67	62	57	77	72	67	62	57	77	72	67	62	57
0.001	0.05	0.053	0.053	0.102	0.002	0.069	0.07	0.076	0.226	0.052	0.086	0.085	0.104	0.317			
65	250	TC	1461	1332	1215	1109	1024	1533	1401	1280	1172	1102	1585	1449	1325	1217	1169
		SHC	538	660	776	890	998	565	714	857	998	1102	589	761	930	1093	1169
		LDB	59.28	53.90	48.78	43.75	38.99	62.69	57.53	52.53	47.60	43.94	64.94	59.97	55.05	50.30	48.02
		LWB	59.28	53.78	48.37	43.06	37.64	62.69	57.24	51.86	46.52	40.83	64.91	59.51	54.17	48.83	42.90
	313	TC	1471	1341	1222	1115	1028	1545	1411	1288	1178	1106	1598	1461	1335	1223	1174
		SHC	542	664	780	893	1001	570	718	861	1002	1106	593	765	934	1097	1174
		LDB	59.13	53.75	48.64	43.62	38.87	62.56	57.40	52.41	47.48	43.79	64.83	59.85	54.94	50.19	47.88
		LWB	59.13	53.63	48.24	42.95	37.54	62.56	57.11	51.74	46.43	40.75	64.80	59.40	54.06	48.75	42.83
	375	TC	1478	1347	1227	1119	1031	1554	1418	1294	1183	1109	1607	1469	1341	1229	1178
		SHC	544	666	782	895	1003	572	721	863	1004	1109	597	768	937	1100	1178
		LDB	59.02	53.65	48.55	43.54	38.79	62.47	57.31	52.33	47.41	43.68	64.74	59.77	54.87	50.12	47.77
		LWB	59.02	53.54	48.15	42.87	37.47	62.47	57.03	51.67	46.36	40.70	64.72	59.32	53.99	48.69	42.78
438	TC	1484	1351	1231	1121	1034	1560	1423	1298	1186	1112	1613	1475	1346	1233	1181	
	SHC	546	668	783	897	1004	575	723	865	1006	1112	599	771	939	1102	1181	
	LDB	58.94	53.58	48.49	43.49	38.73	62.40	57.25	52.26	47.35	43.60	64.68	59.71	54.81	50.07	47.69	
	LWB	58.94	53.46	48.09	42.81	37.42	62.40	56.97	51.61	46.31	40.65	64.66	59.26	53.94	48.64	42.74	
75	250	TC	1418	1293	1180	1077	996	1487	1359	1242	1137	1074	1534	1404	1283	1178	1139
		SHC	522	643	760	874	980	549	697	840	981	1074	571	743	912	1074	1139
		LDB	59.91	54.56	49.44	44.41	39.72	63.20	58.06	53.06	48.15	44.84	65.40	60.43	55.53	50.81	48.84
		LWB	59.91	54.42	49.02	43.71	38.25	63.20	57.75	52.38	47.06	41.30	65.35	59.96	54.63	49.30	43.31
	313	TC	1428	1302	1186	1082	1000	1498	1368	1249	1143	1078	1547	1414	1292	1185	1144
		SHC	525	647	763	877	983	553	701	844	984	1078	576	747	916	1078	1144
		LDB	59.77	54.42	49.32	44.30	39.62	63.08	57.94	52.95	48.04	44.70	65.28	60.33	55.42	50.71	48.69
		LWB	59.77	54.29	48.90	43.61	38.16	63.08	57.64	52.28	46.96	41.22	65.24	59.85	54.53	49.21	43.24
	375	TC	1434	1307	1191	1086	1003	1506	1375	1254	1147	1081	1555	1421	1298	1190	1148
		SHC	528	649	765	878	985	555	703	846	986	1081	579	750	919	1080	1148
		LDB	59.67	54.33	49.24	44.23	39.54	62.99	57.86	52.88	47.97	44.60	65.21	60.26	55.36	50.65	48.59
		LWB	59.67	54.20	48.82	43.54	38.10	62.99	57.56	52.21	46.90	41.17	65.17	59.79	54.47	49.16	43.19
438	TC	1439	1311	1194	1088	1005	1511	1379	1258	1150	1083	1562	1427	1302	1193	1150	
	SHC	530	651	766	880	986	557	705	847	988	1083	581	752	920	1082	1150	
	LDB	59.60	54.27	49.18	44.17	39.49	62.93	57.80	52.83	47.92	44.53	65.15	60.20	55.31	50.60	48.52	
	LWB	59.60	54.13	48.76	43.49	38.06	62.93	57.51	52.16	46.86	41.13	65.11	59.73	54.42	49.12	43.15	
85	250	TC	1375	1255	1145	1046	967	1441	1316	1203	1101	1047	1483	1357	1241	1141	1108
		SHC	506	627	743	857	967	533	680	823	963	1047	554	725	894	1055	1108
		LDB	60.54	55.20	50.09	45.09	40.27	63.70	58.58	53.60	48.71	45.74	65.85	60.90	55.99	51.32	49.67
		LWB	60.53	55.05	49.66	44.34	38.90	63.70	58.27	52.91	47.59	41.75	65.79	60.40	55.08	49.75	43.72
	313	TC	1384	1262	1151	1050	970	1452	1326	1210	1107	1051	1496	1368	1249	1147	1113
		SHC	509	630	746	860	970	536	684	826	966	1051	558	729	898	1059	1113
		LDB	60.40	55.08	49.98	44.98	40.13	63.58	58.47	53.50	48.61	45.60	65.74	60.80	55.90	51.23	49.53
		LWB	60.40	54.92	49.54	44.25	38.83	63.58	58.16	52.81	47.51	41.68	65.69	60.31	54.99	49.67	43.65
	375	TC	1391	1268	1155	1054	974	1459	1332	1215	1111	1054	1504	1374	1255	1152	1117
		SHC	511	632	748	861	969	539	686	828	968	1054	561	732	900	1061	1117
		LDB	60.31	54.99	49.90	44.91	40.17	63.50	58.40	53.43	48.55	45.51	65.67	60.73	55.84	51.17	49.44
		LWB	60.31	54.84	49.47	44.18	38.75	63.50	58.09	52.74	47.45	41.64	65.62	60.24	54.93	49.62	43.61
438	TC	1395	1271	1158	1056	977	1464	1336	1219	1114	1056	1510	1379	1259	1155	1119	
	SHC	513	634	750	863	967	541	688	830	970	1056	563	734	902	1063	1119	
	LDB	60.24	54.93	49.84	44.86	40.24	63.45	58.34	53.38	48.50	45.44	65.61	60.68	55.80	51.12	49.37	
	LWB	60.24	54.78	49.41	44.13	38.67	63.45	58.03	52.69	47.40	41.60	65.56	60.19	54.89	49.58	43.57	

LEGEND

- BF — Bypass Factor
- EDB — Entering Dry Bulb (F)
- EWB — Entering Wet Bulb (F)
- EWT — Entering Water Temperature (F)
- kW — Compressor Motor Power Input (kilowatts)
- LDB — Leaving Dry Bulb (F)
- LWB — Leaving Wet Bulb (F)
- SHC — Sensible Capacity (1000 Btu/hr)
- TC — Total Capacity (1000 Btu/hr)



COOLING CAPACITIES (cont)
50XJF104 WITH (4) 25 HP COMPRESSORS (cont)

EWT (F)	GPM	BF	AIR ENTERING EVAPORATOR — CFM AT 80 F EDB														
			23,000					28,000					33,500				
			Air Entering Evaporator — Ewb (F)														
			77	72	67	62	57	77	72	67	62	57	77	72	67	62	57
0.001	0.05	0.053	0.053	0.102	0.002	0.069	0.07	0.076	0.226	0.052	0.086	0.085	0.104	0.317			
95	250	TC	1331	1215	1109	1013	941	1392	1272	1162	1065	1019	1432	1311	1199	1103	1077
		SHC	490	611	727	841	941	516	663	805	945	1019	536	708	876	1036	1077
		LDB	61.16	55.86	50.75	45.75	41.31	64.22	59.13	54.16	49.29	46.64	66.30	61.36	56.47	51.84	50.52
		LWB	61.16	55.69	50.30	44.99	39.46	64.22	58.80	53.45	48.13	42.21	66.23	60.85	55.53	50.20	44.14
	313	TC	1341	1223	1115	1018	945	1403	1281	1170	1071	1023	1444	1321	1207	1110	1082
		SHC	493	614	730	843	945	520	666	809	948	1023	540	711	880	1039	1082
		LDB	61.03	55.74	50.64	45.65	41.16	64.10	59.02	54.06	49.19	46.51	66.19	61.26	56.38	51.75	50.39
		LWB	61.03	55.57	50.19	44.89	39.38	64.10	58.69	53.35	48.05	42.15	66.13	60.76	55.45	50.12	44.07
	375	TC	1347	1228	1119	1021	947	1410	1287	1174	1075	1026	1452	1327	1212	1114	1086
		SHC	495	616	731	845	947	522	668	811	950	1026	543	714	882	1041	1086
		LDB	60.94	55.66	50.57	45.58	41.07	64.02	58.95	53.99	49.13	46.42	66.12	61.20	56.32	51.70	50.30
		LWB	60.94	55.49	50.12	44.83	39.33	64.02	58.62	53.29	47.99	42.10	66.06	60.70	55.39	50.07	44.03
438	TC	1351	1231	1122	1023	949	1415	1291	1178	1077	1028	1457	1332	1216	1117	1088	
	SHC	497	617	733	846	949	524	670	812	952	1028	545	715	884	1043	1088	
	LDB	60.88	55.60	50.51	45.53	41.00	63.97	58.90	53.95	49.09	46.35	66.07	61.15	56.28	51.65	50.23	
	LWB	60.88	55.43	50.07	44.78	39.29	63.97	58.57	53.24	47.95	42.07	66.01	60.65	55.35	50.04	44.00	
105	250	TC	1286	1174	1071	979	914	1341	1226	1120	1027	989	1378	1262	1154	1064	1045
		SHC	473	594	710	823	914	498	644	787	926	989	518	689	858	1015	1045
		LDB	61.80	56.53	51.43	46.44	42.43	64.75	59.71	54.73	49.89	47.63	66.76	61.84	56.95	52.39	51.42
		LWB	61.80	56.34	50.97	45.66	40.05	64.75	59.35	54.01	48.69	42.71	66.68	61.31	56.01	50.66	44.58
	313	TC	1295	1182	1078	984	918	1352	1235	1128	1033	993	1391	1272	1162	1071	1050
		SHC	476	597	713	826	918	502	648	791	929	993	522	693	862	1019	1050
		LDB	61.67	56.41	51.31	46.33	42.28	64.63	59.60	54.63	49.79	47.48	66.66	61.74	56.86	52.30	51.27
		LWB	61.67	56.22	50.85	45.56	39.97	64.63	59.24	53.91	48.60	42.64	66.58	61.22	55.92	50.58	44.51
	375	TC	1301	1186	1082	987	920	1359	1241	1133	1037	996	1398	1279	1168	1075	1053
		SHC	479	599	715	828	920	505	650	793	931	996	525	695	864	1021	1053
		LDB	61.59	56.33	51.24	46.26	42.18	64.56	59.52	54.57	49.73	47.39	66.59	61.68	56.80	52.24	51.18
		LWB	61.59	56.14	50.78	45.49	39.92	64.56	59.17	53.84	48.54	42.59	66.51	61.16	55.86	50.53	44.46
438	TC	1306	1190	1084	990	922	1365	1245	1136	1040	998	1404	1283	1172	1078	1056	
	SHC	480	600	716	829	922	506	652	794	933	998	527	697	865	1023	1056	
	LDB	61.52	56.27	51.19	46.21	42.11	64.50	59.46	54.52	49.68	47.31	66.54	61.63	56.76	52.19	51.11	
	LWB	61.52	56.08	50.73	45.44	39.88	64.50	59.12	53.80	48.50	42.55	66.46	61.11	55.82	50.50	44.43	
438	TC	1306	1190	1084	990	922	1365	1245	1136	1040	998	1404	1283	1172	1078	1056	
	SHC	480	600	716	829	922	506	652	794	933	998	527	697	865	1023	1056	
	LDB	61.52	56.27	51.19	46.21	42.11	64.50	59.46	54.52	49.68	47.31	66.54	61.63	56.76	52.19	51.11	
	LWB	61.52	56.08	50.73	45.44	39.88	64.50	59.12	53.80	48.50	42.55	66.46	61.11	55.82	50.50	44.43	
438	TC	1306	1190	1084	990	922	1365	1245	1136	1040	998	1404	1283	1172	1078	1056	
	SHC	480	600	716	829	922	506	652	794	933	998	527	697	865	1023	1056	
	LDB	61.52	56.27	51.19	46.21	42.11	64.50	59.46	54.52	49.68	47.31	66.54	61.63	56.76	52.19	51.11	
	LWB	61.52	56.08	50.73	45.44	39.88	64.50	59.12	53.80	48.50	42.55	66.46	61.11	55.82	50.50	44.43	

LEGEND

- | | |
|--|--|
| BF — Bypass Factor | LDB — Leaving Dry Bulb (F) |
| EDB — Entering Dry Bulb (F) | LWB — Leaving Wet Bulb (F) |
| EWB — Entering Wet Bulb (F) | SHC — Sensible Capacity (1000 Btu/hr) |
| EWT — Entering Water Temperature (F) | TC — Total Capacity (1000 Btu/hr) |
| kW — Compressor Motor Power Input (kilowatts) | |

LEGEND FOR WATERSIDE ECONOMIZER TABLES

- | |
|--|
| BF — Bypass Factor |
| EWB — Entering Wet Bulb (F) |
| EWT — Entering Water Temperature (F) |
| LDB — Leaving Dry Bulb (F) |
| LWB — Leaving Wet Bulb (F) |
| SHC — Sensible Capacity (1000 Btu/hr) |
| TC — Total Capacity (1000 Btu/hr) |

Performance data (cont)



WATERSIDE ECONOMIZER COOLING CAPACITY 50XJ064

EWT (F)	GPM	BF	AIR ENTERING EVAPORATOR — CFM														
			15,200					19,000					23,000				
			Air Entering Evaporator — Ewb (F)														
			77	72	67	62	57	77	72	67	62	57	77	72	67	62	57
0.056	0.056	0.081	0.300	0.310	0.056	0.059	0.105	0.300	0.310	0.056	0.071	0.138	0.300	0.310			
45	70	TC	715	579	463	414	413	754	613	506	470	469	783	640	541	518	517
		SHC	173	269	362	414	413	190	313	424	470	469	208	354	484	518	517
		LDB	65.27	61.33	57.50	55.18	55.11	67.31	63.11	59.18	57.45	57.38	68.81	64.53	60.59	59.47	59.39
	120	LWB	65.27	61.33	57.45	52.45	46.36	67.31	63.11	58.72	53.39	47.41	68.81	64.40	59.73	54.21	48.33
		TC	910	728	561	457	455	989	793	620	530	528	1051	845	670	596	595
		SHC	213	305	389	457	455	235	353	460	530	528	256	400	528	596	595
	170	LDB	61.43	58.16	55.20	52.58	52.58	63.80	60.16	56.87	54.57	54.50	65.63	61.78	58.33	56.35	56.28
		LWB	61.42	58.16	55.20	51.33	45.15	63.80	60.16	56.70	52.18	46.06	65.63	61.73	57.89	52.93	46.90
		TC	1014	808	618	480	474	1124	896	687	559	557	1213	968	751	635	633
	220	SHC	237	325	405	474	474	263	378	480	559	556	288	429	552	635	633
		LDB	59.23	56.36	53.85	51.51	51.44	61.64	58.40	55.57	53.16	53.15	63.58	60.06	57.03	54.84	54.77
		LWB	59.23	56.36	53.85	50.75	44.59	61.64	58.40	55.47	51.58	45.41	63.58	60.05	56.69	52.29	46.19
270	TC	1079	857	654	495	484	1210	962	735	576	573	1320	1049	804	659	655	
	SHC	252	338	416	482	484	283	394	494	576	573	310	449	568	658	655	
	LDB	57.81	55.22	52.98	50.95	50.80	60.20	57.23	54.64	52.35	52.37	62.18	58.90	56.17	53.90	53.88	
270	LWB	57.81	55.22	52.98	50.35	44.28	60.20	57.23	54.56	51.22	45.04	62.18	58.90	55.88	51.88	45.76	
	TC	1122	890	678	508	491	1270	1007	768	591	583	1395	1106	847	674	670	
	SHC	263	347	423	488	491	297	406	503	584	583	327	463	581	674	670	
270	LDB	56.82	54.43	52.39	50.53	50.38	59.18	56.40	54.01	51.91	51.86	61.16	58.06	55.48	53.29	53.29	
	LWB	56.82	54.43	52.39	50.01	44.08	59.18	56.40	53.92	50.93	44.80	61.16	58.08	55.22	51.62	45.48	
	TC	504	376	300	298	297	529	402	340	339	338	548	422	375	374	373	
55	70	SHC	134	226	300	298	297	152	267	340	339	338	168	305	375	374	373
		LDB	69.07	65.31	62.12	62.11	62.06	70.41	66.45	63.79	63.73	63.68	71.43	67.41	65.23	65.18	65.13
		LWB	69.07	65.31	60.97	55.29	49.54	70.41	66.32	61.56	55.93	50.25	71.40	67.08	62.06	56.49	50.88
	120	TC	649	474	339	328	327	701	513	386	382	381	742	546	432	430	429
		SHC	160	246	322	328	327	181	291	382	382	381	201	333	432	430	429
		LDB	66.49	63.45	60.63	60.32	60.28	68.06	64.69	61.75	61.69	61.64	69.28	65.77	62.97	62.96	62.91
	170	LWB	66.49	63.45	60.14	54.57	48.74	68.06	64.66	60.77	55.12	49.35	69.28	65.57	61.26	55.62	49.90
		TC	730	529	365	341	340	803	583	414	401	400	862	628	463	457	456
		SHC	176	258	331	341	340	199	305	395	401	400	221	350	456	457	456
	220	LDB	64.98	62.34	59.96	59.53	59.48	66.60	63.61	61.00	60.74	60.69	67.90	64.72	61.97	61.89	61.84
		LWB	64.98	62.34	59.59	54.25	48.38	66.60	63.57	60.30	54.73	48.92	67.90	64.55	60.82	55.19	49.43
		TC	781	564	381	349	348	870	629	436	413	411	942	684	485	473	471
270	SHC	186	266	336	349	348	212	315	403	413	411	236	362	468	473	471	
	LDB	64.00	61.64	59.56	59.08	59.04	65.61	62.90	60.53	60.20	60.15	66.95	64.01	61.47	61.27	61.22	
	LWB	64.00	61.64	59.25	54.07	48.18	65.61	62.85	59.92	54.51	48.68	66.95	63.84	60.52	54.94	49.15	
270	TC	816	588	391	353	352	916	661	451	420	419	1000	724	505	483	482	
	SHC	193	271	339	353	352	221	322	408	420	419	246	370	475	483	482	
	LDB	63.32	61.15	59.30	58.79	58.76	64.92	62.40	60.24	59.84	59.80	66.25	63.50	61.10	60.86	60.81	
270	LWB	63.32	61.15	59.03	53.95	48.05	64.92	62.34	59.68	54.37	48.52	66.25	63.33	60.25	54.77	48.97	
	TC	281	184	181	180	180	294	207	206	205	205	304	227	227	226	226	
	SHC	99	180	181	180	180	115	207	206	205	205	131	227	227	226	226	
65	LDB	72.73	69.29	69.21	69.18	69.15	73.44	70.20	70.19	70.15	70.12	74.00	71.09	71.06	71.02	70.99	
	LWB	72.73	68.78	63.45	58.04	52.61	73.43	69.10	63.77	58.41	53.01	73.94	69.36	64.06	58.72	53.37	
	TC	365	214	199	198	198	392	239	231	231	230	414	264	261	260	260	
120	SHC	112	191	199	198	198	130	227	231	231	230	147	261	261	260	259	
	LDB	71.38	68.51	68.15	68.12	68.09	72.20	69.16	68.97	68.93	68.90	72.87	69.75	69.73	69.69	69.66	
	LWB	71.38	68.25	63.09	57.64	52.16	72.20	68.64	63.36	57.94	52.50	72.81	68.93	63.61	58.22	52.81	
170	TC	414	231	207	206	205	452	261	243	242	242	484	287	277	276	275	
	SHC	120	195	207	206	205	139	234	243	242	242	158	272	277	276	275	
	LDB	70.58	68.13	67.68	67.65	67.63	71.43	68.72	68.41	68.38	68.35	72.14	69.28	69.09	69.06	69.03	
220	LWB	70.58	67.94	62.92	57.46	51.97	71.42	68.33	63.17	57.73	52.26	72.09	68.66	63.39	57.98	52.55	
	TC	446	244	211	210	209	492	276	250	249	248	531	306	286	285	284	
	SHC	125	198	211	210	209	146	238	250	249	248	165	277	286	285	284	
270	LDB	70.06	67.87	67.42	67.40	67.37	70.90	68.47	68.09	68.06	68.03	71.63	68.98	68.72	68.69	68.67	
	LWB	70.06	67.72	62.84	57.36	51.86	70.90	68.12	63.06	57.61	52.13	71.58	68.44	63.27	57.85	52.39	
	TC	467	253	214	213	212	520	286	254	253	252	566	318	292	291	290	
75	SHC	128	200	214	213	212	150	240	254	253	252	171	281	292	291	290	
	LDB	69.69	67.70	67.26	67.23	67.21	70.53	68.30	67.88	67.85	67.83	71.26	68.80	68.48	68.45	68.43	
	LWB	69.69	67.55	62.78	57.30	51.79	70.53	67.98	62.99	57.53	52.04	71.21	68.30	63.18	57.75	52.29	
75	70	TC	61	61	61	61	60	69	70	69	69	77	76	76	76	76	
		SHC	61	61	61	61	60	69	69	69	69	69	77	76	76	76	76
		LDB	76.39	76.39	76.37	76.36	76.35	76.73	76.71	76.70	76.69	76.68	77.02	77.01	76.99	76.98	76.97
	120	LWB	76.05	70.95	65.82	60.69	55.56	76.13	71.03	65.92	60.80	55.68	76.20	71.11	66.01	60.90	55.79
		TC	69	67	67	66	66	78	78	78	77	77	88	88	88	87	87
		SHC	66	67	67	66	66	78	78	78	77	77	88	88	88	87	87
	170	LDB	76.08	76.04	76.03	76.02	76.01	76.28	76.31	76.30	76.29	76.28	76.58	76.56	76.55	76.54	76.53
		LWB	75.93	70.84	65.71	60.57	55.42	76.02	70.91	65.79	60.66	55.52	76.08	70.97	65.87	60.74	55.61
		TC	74	69	69	69	69	84	82	81	81	81	94	93	93	93	92
	220	SHC	68	69	69	69	69	82	82	81	81	81	94	93	93	93	92
		LDB	75.95	75.89	75.88	75.87	75.86	76.14	76.13	76.12	76.11	76.10	76.30	76.35	76.34	76.33	76.32
		LWB	75.85	70.80	65.66	60.52	55.36	75.95	70.86	65.73	60.60	55.45	76.02	70.92	65.80	60.67	55.53
270	TC	78	71	71	70	70	88	84	84	83	83	98	96	96	96	95	
	SHC	69	71	71	70	70	83	84	84	83	83	97	96	96	96	95	
	LDB	75.89	75.80	75.79	75.78	75.78	76.05	76.02	76.01	76.00	75.99	76.22	76.23	76.22	76.21	76.20	
270	LWB	75.80	70.77	65.64	60.49	55.33	75.90	70.83	65.70	60.56	55.41	75.98	70.88	65.76	60.63	55.48	
	TC	81	72	71	71	71	92	85	85	85	84	101	98	98	98	97	
	SHC	69	72	71	71	71	84	85	85	84	84	98	98</				



WATERSIDE ECONOMIZER COOLING CAPACITY (cont)
50XJ074

EWT (F)	GPM	BF	AIR ENTERING EVAPORATOR — CFM														
			15,200					19,000					23,000				
			Air Entering Evaporator — Ewb (F)														
			77	72	67	62	57	77	72	67	62	57	77	72	67	62	57
0.056	0.056	0.081	0.300	0.310	0.056	0.059	0.105	0.300	0.310	0.056	0.071	0.138	0.300	0.310			
45	70	TC	715	579	463	414	413	754	613	506	470	469	783	640	541	518	517
		SHC	173	269	362	414	413	190	313	424	470	469	208	354	484	518	517
		LDB	65.27	61.33	57.50	55.18	55.11	67.31	63.11	59.18	57.45	57.38	68.81	64.53	60.59	59.47	59.39
	120	LWB	65.27	61.33	57.45	52.45	46.36	67.31	63.11	58.72	53.39	47.41	68.81	64.40	59.73	54.21	48.33
		TC	910	728	561	457	455	989	793	620	530	528	1051	845	670	596	595
		SHC	213	305	389	457	455	235	353	460	530	528	256	400	528	596	595
	170	LDB	61.43	58.16	55.20	52.58	52.58	63.80	60.16	56.87	54.57	54.50	65.63	61.78	58.33	56.35	56.28
		LWB	61.42	58.16	55.20	51.33	45.15	63.80	60.16	56.70	52.18	46.06	65.63	61.73	57.89	52.93	46.90
		TC	1014	808	618	480	474	1124	896	687	559	557	1213	968	751	635	633
	220	SHC	237	325	405	474	474	263	378	480	559	556	288	429	552	635	633
		LDB	59.23	56.36	53.85	51.51	51.44	61.64	58.40	55.57	53.16	53.15	63.58	60.06	57.03	54.84	54.77
		LWB	59.23	56.36	53.85	50.75	44.59	61.64	58.40	55.47	51.58	45.41	63.58	60.05	56.69	52.29	46.19
270	TC	1079	857	654	495	484	1210	962	735	576	573	1320	1049	804	659	655	
	SHC	252	338	416	482	484	283	394	494	576	573	310	449	568	658	655	
	LDB	57.81	55.22	52.98	50.95	50.80	60.20	57.23	54.64	52.35	52.37	62.18	58.90	56.17	53.90	53.88	
75	LWB	57.81	55.22	52.98	50.35	44.28	60.20	57.23	54.56	51.22	45.04	62.18	58.90	55.88	51.88	45.76	
	TC	1122	890	678	508	491	1270	1007	768	591	583	1395	1106	847	674	670	
	SHC	263	347	423	488	491	297	406	503	584	583	327	463	581	674	670	
55	70	LDB	56.82	54.43	52.39	50.53	50.38	59.18	56.40	54.01	51.91	51.86	61.16	58.06	55.48	53.29	53.29
		LWB	56.82	54.43	52.39	50.01	44.08	59.18	56.40	53.92	50.93	44.80	61.16	58.08	55.22	51.62	45.48
		TC	504	376	300	298	297	529	402	340	339	338	422	338	375	374	373
	120	SHC	134	226	300	298	297	152	267	340	339	338	168	305	375	374	373
		LDB	69.07	65.31	62.12	62.11	62.06	70.41	66.45	63.79	63.73	63.68	71.43	67.41	65.23	65.18	65.13
		LWB	69.07	65.31	60.97	55.29	49.54	70.41	66.32	61.56	55.93	50.25	71.40	67.08	62.06	56.49	50.88
	170	TC	649	474	339	328	327	701	513	386	382	381	742	546	432	430	429
		SHC	160	246	322	328	327	181	291	382	382	381	201	333	432	430	429
		LDB	66.49	63.45	60.63	60.32	60.28	68.06	64.69	61.75	61.69	61.64	69.28	65.77	62.97	62.96	62.91
	220	LWB	66.49	63.45	60.14	54.57	48.74	68.06	64.66	60.77	55.12	49.35	69.28	65.57	61.26	55.62	49.90
		TC	730	529	365	341	340	803	583	414	401	400	862	628	463	457	456
		SHC	176	258	331	341	340	199	305	395	401	400	221	350	456	457	456
270	LDB	64.98	62.34	59.96	59.53	59.48	66.60	63.61	61.00	60.74	60.69	67.90	64.72	61.97	61.89	61.84	
	LWB	64.98	62.34	59.59	54.25	48.38	66.60	63.57	60.30	54.73	48.92	67.90	64.55	60.82	55.19	49.43	
	TC	781	564	381	349	348	870	629	436	413	411	942	684	485	473	471	
65	70	SHC	186	266	336	349	348	212	315	403	413	411	236	362	468	473	471
		LDB	64.00	61.64	59.56	59.08	59.04	65.61	62.90	60.53	60.20	60.15	66.95	64.01	61.47	61.27	61.22
		LWB	64.00	61.64	59.25	54.07	48.18	65.61	62.85	59.92	54.51	48.68	66.95	63.84	60.52	54.94	49.15
	120	TC	816	588	391	353	352	916	661	451	420	419	1000	724	505	483	482
		SHC	193	271	339	353	352	221	322	408	420	419	246	370	475	483	482
		LDB	63.32	61.15	59.30	58.79	58.76	64.92	62.40	60.24	59.84	59.80	66.25	63.50	61.10	60.86	60.81
	170	LWB	63.32	61.15	59.03	53.95	48.05	64.92	62.34	59.68	54.37	48.52	66.25	63.33	60.25	54.77	48.97
		TC	281	184	181	180	180	294	207	206	205	205	304	227	227	226	226
		SHC	99	180	181	180	180	115	207	206	205	205	131	227	227	226	226
	220	LDB	72.73	69.29	69.21	69.18	69.15	73.44	70.20	70.19	70.15	70.12	74.00	71.09	71.06	71.02	70.99
		LWB	72.73	68.78	63.45	58.04	52.61	73.43	69.10	63.77	58.41	53.01	73.94	69.36	64.06	58.72	53.37
		TC	365	214	199	198	198	392	239	231	231	230	414	264	261	260	260
270	SHC	112	191	199	198	198	130	227	231	230	230	147	261	261	260	259	
	LDB	71.38	68.51	68.15	68.12	68.09	72.20	69.16	68.97	68.93	68.90	72.87	69.75	69.73	69.69	69.66	
	LWB	71.38	68.25	63.09	57.64	52.16	72.20	68.64	63.36	57.94	52.50	72.81	68.93	63.61	58.22	52.81	
75	70	TC	414	231	207	206	205	452	261	243	242	242	484	287	277	276	275
		SHC	120	195	207	206	205	139	234	243	242	242	158	272	277	276	275
		LDB	70.58	68.13	67.68	67.65	67.63	71.43	68.72	68.41	68.38	68.35	72.14	69.28	69.09	69.06	69.03
	120	LWB	70.58	67.94	62.92	57.46	51.97	71.42	68.33	63.17	57.73	52.26	72.09	68.66	63.39	57.98	52.55
		TC	446	244	211	210	209	492	276	250	249	248	531	306	286	285	284
		SHC	125	198	211	210	209	146	238	250	249	248	165	277	286	285	284
	170	LDB	70.06	67.87	67.42	67.40	67.37	70.90	68.47	68.09	68.06	68.03	71.63	68.98	68.72	68.69	68.67
		LWB	70.06	67.72	62.84	57.36	51.86	70.90	68.12	63.06	57.61	52.13	71.58	68.44	63.27	57.85	52.39
		TC	467	253	214	213	212	520	286	254	253	252	566	318	292	291	290
	220	SHC	128	200	214	213	212	150	240	254	253	252	171	281	292	291	290
		LDB	69.69	67.70	67.26	67.23	67.21	70.53	68.30	67.88	67.85	67.83	71.26	68.80	68.48	68.45	68.43
		LWB	69.69	67.55	62.78	57.30	51.79	70.53	67.98	62.99	57.53	52.04	71.21	68.30	63.18	57.75	52.29
75	70	TC	61	61	61	61	60	69	70	69	69	77	76	76	76	76	
		SHC	61	61	61	61	60	69	69	69	69	69	77	76	76	76	76
		LDB	76.39	76.39	76.37	76.36	76.35	76.73	76.71	76.70	76.69	76.68	77.02	77.01	76.99	76.98	76.97
	120	LWB	76.05	70.95	65.82	60.69	55.56	76.13	71.03	65.92	60.80	55.68	76.20	71.11	66.01	60.90	55.79
		TC	69	67	67	66	66	78	78	78	77	77	88	88	88	87	87
		SHC	66	67	67	66	66	78	78	78	77	77	88	88	88	87	87
	170	LDB	76.08	76.04	76.03	76.02	76.01	76.28	76.31	76.30	76.29	76.28	76.58	76.56	76.55	76.54	76.53
		LWB	75.93	70.84	65.71	60.57	55.42	76.02	70.91	65.79	60.66	55.52	76.08	70.97	65.87	60.74	55.61
		TC	74	69	69	69	69	84	82	81	81	81	94	93	93	93	92
	220	SHC	68	69	69	69	69	82	82	81	81	81	94	93	93	93	92
		LDB	75.95	75.89	75.88	75.87	75.86	76.14	76.13	76.12	76.11	76.10	76.30	76.35	76.34	76.33	76.32
		LWB	75.85	70.80	65.66	60.52	55.36	75.95	70.86	65.73	60.60	55.45	76.02	70.92	65.80	60.67	55.53
270	TC	78	71	71	70	70	88	84	84	83	83	98	96	96	96	95	
	SHC	69	71	71	70	70	83	84	84	83	83	97	96	96	96	95	
	LDB	75.89	75.80	75.79	75.78	75.78	76.05	76.02	76.01	76.00	75.99	76.22	76.23	76.22	76.21	76.20	
75	LWB	75.80	70.77	65.64	60.49	55.33	75.90	70.83	65.70	60.56	55.41	75.98	70.88	65.76	60.63	55.48	
	TC	81	72	71	71	71	92	85	85	85	84	101	98	98	98	97	
	SHC	69	72	71	71	71	84	85	85	85	84	98	98	98			

Performance data (cont)



WATERSIDE ECONOMIZER COOLING CAPACITY (cont) 50XJ084

EWT (F)	GPM	BF	AIR ENTERING EVAPORATOR — CFM														
			19,300					24,000					29,000				
			Air Entering Evaporator — Ewb (F)														
			77	72	67	62	57	77	72	67	62	57	77	72	67	62	57
0.056	0.056	0.078	0.300	0.310	0.056	0.058	0.100	0.300	0.310	0.056	0.069	0.128	0.300	0.310			
45	90	TC	953	772	615	539	538	1007	818	670	613	612	1047	855	718	678	677
		SHC	228	350	468	539	538	250	404	546	613	612	272	457	623	678	677
		LDB	64.60	60.73	56.97	54.53	54.46	66.69	62.55	58.66	56.70	56.63	68.26	64.01	60.08	58.67	58.60
	155	TC	1202	962	739	591	588	1311	1051	817	685	683	1398	1123	885	773	772
		SHC	281	396	502	591	588	310	457	592	685	683	337	518	679	773	772
		LDB	60.67	57.50	54.72	52.07	52.09	63.03	59.50	56.34	53.97	53.90	64.91	61.13	57.80	55.68	55.61
	220	TC	1330	1059	809	620	609	1478	1178	899	720	716	1601	1277	986	818	816
		SHC	311	422	522	608	609	346	488	616	720	716	378	555	709	818	816
		LDB	58.49	55.75	53.38	51.18	51.06	60.87	57.75	55.07	52.64	52.66	62.84	59.41	56.52	54.28	54.21
	285	TC	1407	1118	852	641	621	1582	1257	959	743	734	1732	1375	1055	847	842
		SHC	330	438	534	618	621	370	509	633	736	734	406	580	729	846	842
		LDB	57.14	54.67	52.56	50.62	50.48	59.48	56.62	54.16	51.99	51.96	61.46	58.27	55.63	53.39	53.39
350	TC	1458	1156	880	655	629	1653	1311	999	759	746	1822	1444	1105	864	859	
	SHC	343	448	543	624	629	386	523	644	745	746	426	596	743	864	859	
	LDB	56.22	53.94	52.01	50.29	50.11	58.51	55.84	53.57	51.60	51.50	60.47	57.50	55.02	52.83	52.86	
55	90	TC	671	500	390	388	387	706	534	443	442	441	732	563	490	489	488
		SHC	176	292	390	388	387	198	343	443	442	441	219	392	490	489	488
		LDB	68.64	64.97	61.66	61.67	61.62	70.02	66.10	63.27	63.22	63.16	71.07	67.07	64.69	64.63	64.58
	155	TC	859	626	444	423	422	930	679	502	493	491	987	724	560	557	555
		SHC	210	318	414	423	422	236	375	490	493	491	262	428	560	557	555
		LDB	65.99	63.06	60.33	59.99	59.95	67.56	64.29	61.43	61.28	61.23	68.81	65.39	62.49	62.50	62.45
	220	TC	959	695	474	439	437	1058	767	540	516	514	1139	830	601	588	587
		SHC	229	333	424	439	437	259	393	506	516	514	288	450	584	588	587
		LDB	64.50	61.98	59.74	59.27	59.23	66.10	63.22	60.70	60.41	60.36	67.41	64.33	61.65	61.50	61.46
	285	TC	1021	737	493	447	446	1139	823	565	529	527	1238	898	631	606	605
		SHC	242	342	430	447	446	275	404	514	529	527	306	464	598	606	605
		LDB	63.56	61.31	59.37	58.87	58.83	65.14	62.53	60.30	59.92	59.87	66.47	63.64	61.16	60.94	60.89
350	TC	1062	765	508	453	451	1195	861	582	537	535	1309	946	653	618	616	
	SHC	250	349	435	453	451	286	412	519	537	535	320	474	605	618	616	
	LDB	62.92	60.86	59.07	58.62	58.58	64.47	62.06	60.02	59.60	59.56	65.79	63.15	60.86	60.57	60.52	
65	90	TC	374	241	235	234	234	391	269	268	267	266	407	297	296	296	296
		SHC	128	232	235	234	234	149	269	268	267	266	169	297	296	296	295
		LDB	72.51	69.11	68.96	68.93	68.90	73.23	69.89	69.89	69.85	69.82	73.81	70.78	70.74	70.70	70.67
	155	TC	484	280	256	256	255	521	313	298	298	297	551	344	337	337	336
		SHC	145	244	256	255	255	168	291	298	298	297	190	335	337	336	336
		LDB	71.12	68.37	67.96	67.93	67.91	71.94	68.95	68.73	68.69	68.67	72.63	69.55	69.46	69.42	69.40
	220	TC	545	301	265	264	263	596	340	312	311	310	640	375	356	355	354
		SHC	155	250	265	264	263	180	298	312	311	310	204	347	356	355	354
		LDB	70.33	68.01	67.54	67.51	67.49	71.16	68.58	68.21	68.19	68.16	71.89	69.09	68.87	68.84	68.81
	285	TC	583	318	270	269	268	645	358	320	318	318	699	397	367	366	364
		SHC	161	253	270	269	268	188	303	320	318	318	213	353	367	366	364
		LDB	69.83	67.75	67.30	67.28	67.25	70.65	68.34	67.93	67.90	67.87	71.38	68.84	68.54	68.51	68.48
350	TC	609	329	273	272	271	679	372	324	323	322	741	412	374	372	371	
	SHC	166	255	273	272	271	193	307	324	323	322	220	357	374	372	371	
	LDB	69.48	67.60	67.15	67.13	67.11	70.30	68.14	67.74	67.71	67.69	71.02	68.66	68.32	68.29	68.26	
75	90	TC	80	79	79	79	78	90	90	90	90	100	100	100	99	99	99
		SHC	80	79	79	79	78	90	90	90	90	90	100	100	100	99	99
		LDB	76.31	76.31	76.29	76.28	76.27	76.63	76.62	76.60	76.59	76.58	76.92	76.90	76.89	76.88	76.87
	155	TC	90	86	86	86	85	101	100	100	100	99	114	113	113	113	113
		SHC	85	86	86	86	85	101	100	100	100	99	114	113	113	113	113
		LDB	76.03	75.98	75.97	75.96	75.95	76.22	76.24	76.22	76.21	76.20	76.47	76.48	76.46	76.45	76.44
	220	TC	97	89	89	88	88	109	105	104	104	104	121	120	119	119	119
		SHC	87	89	89	88	88	104	105	104	104	104	121	120	119	119	119
		LDB	75.91	75.84	75.83	75.82	75.81	76.09	76.07	76.05	76.04	76.04	76.25	76.28	76.27	76.26	76.25
	285	TC	101	91	90	90	90	114	107	107	107	106	127	123	123	122	122
		SHC	88	91	90	90	90	106	107	107	107	106	124	123	123	122	122
		LDB	75.86	75.76	75.75	75.75	75.74	76.01	75.97	75.96	75.95	75.94	76.18	76.17	76.16	76.15	76.14
350	TC	104	92	91	91	91	119	109	109	108	108	132	125	125	125	124	
	SHC	88	92	91	91	91	107	109	109	108	108	125	125	125	125	124	
	LDB	75.82	75.72	75.71	75.70	75.69	75.97	75.91	75.90	75.89	75.88	76.11	76.10	76.09	76.08	76.07	

See Legend on page 59.



WATERSIDE ECONOMIZER COOLING CAPACITY (cont)
50XJ094

EWT (F)	GPM	BF	AIR ENTERING EVAPORATOR — CFM														
			20,400					26,000					31,000				
			Air Entering Evaporator — Ewb (F)														
			77	72	67	62	57	77	72	67	62	57	77	72	67	62	57
0.056	0.056	0.079	0.300	0.310	0.056	0.060	0.103	0.300	0.310	0.056	0.071	0.131	0.300	0.310			
45	100	TC	1018	824	654	571	570	1085	880	720	660	658	1126	915	768	724	723
		SHC	235	367	494	571	570	261	432	587	660	658	283	484	664	724	723
		LDB	64.44	60.61	56.89	54.47	54.40	66.75	62.63	58.79	56.87	56.80	68.21	64.02	60.10	58.69	58.62
	170	TC	1271	1017	780	624	621	1400	1122	873	736	734	1486	1193	940	823	821
		SHC	287	413	527	624	621	320	485	634	736	734	347	545	721	823	821
		LDB	60.65	57.50	54.73	52.09	52.11	63.26	59.71	56.54	54.20	54.13	64.99	61.22	57.89	55.80	55.73
	240	TC	1404	1118	854	655	644	1578	1257	961	773	769	1698	1354	1046	870	868
		SHC	317	438	548	642	643	356	517	659	773	769	388	582	751	870	868
		LDB	58.53	55.79	53.41	51.21	51.09	61.16	58.00	55.29	52.88	52.89	62.97	59.54	56.64	54.41	54.34
	310	TC	1484	1179	898	677	656	1689	1342	1025	797	789	1835	1457	1118	900	895
		SHC	336	454	561	653	656	381	538	677	792	789	416	607	772	900	895
		LDB	57.19	54.72	52.60	50.65	50.52	59.79	56.89	54.40	52.18	52.18	61.61	58.43	55.76	53.53	53.53
55	100	TC	1537	1219	928	691	664	1766	1400	1068	815	802	1931	1530	1171	919	913
		SHC	349	465	569	658	664	398	552	689	802	802	436	625	787	919	913
		LDB	56.28	53.99	52.05	50.32	50.15	58.82	56.11	53.81	51.79	51.71	60.64	57.63	55.15	52.97	52.99
	170	TC	1718	1333	1011	761	734	1961	1542	1161	873	861	2111	1641	1241	961	951
		SHC	411	533	641	734	734	411	561	711	861	861	471	641	791	951	951
		LDB	68.53	64.91	61.62	61.62	61.57	70.05	66.17	63.39	63.33	63.28	71.03	67.07	64.70	64.64	64.59
	240	TC	1909	1466	1111	841	814	2111	1641	1241	961	951	2311	1841	1441	1111	1101
		SHC	466	591	691	791	791	466	611	761	911	911	491	661	811	961	961
		LDB	65.97	63.05	60.34	60.00	59.96	67.71	64.43	61.56	61.44	61.39	68.86	65.45	62.57	62.58	62.52
	310	TC	2103	1566	1166	891	864	2311	1841	1441	1061	1051	2511	2041	1641	1311	1301
		SHC	503	633	733	833	833	503	653	803	953	953	533	703	853	1003	1003
		LDB	64.51	62.00	59.76	59.29	59.25	66.28	63.39	60.83	60.56	60.52	67.50	64.41	61.73	61.59	61.55
65	100	TC	1077	777	520	472	471	1215	878	605	568	567	1312	952	670	645	643
		SHC	246	357	453	472	471	285	430	553	568	567	315	489	636	645	643
		LDB	63.59	61.34	59.39	58.89	58.85	65.34	62.71	60.43	60.07	60.02	66.57	63.73	61.24	61.03	60.98
	170	TC	1120	806	536	478	476	1276	920	623	578	576	1387	1003	693	658	656
		SHC	255	363	458	478	476	296	438	559	578	576	328	499	644	658	656
		LDB	62.96	60.88	59.09	58.64	58.60	64.68	62.23	60.15	59.75	59.70	65.90	63.24	60.94	60.65	60.61
	240	TC	1401	1066	776	576	576	1576	1211	876	606	606	1766	1366	1016	776	776
		SHC	296	411	511	576	576	296	431	556	606	606	336	501	651	776	776
		LDB	72.45	69.09	68.92	68.89	68.86	73.26	69.95	69.95	69.92	69.89	73.79	70.78	70.74	70.70	70.67
	310	TC	1513	1133	811	576	576	1766	1366	1016	776	776	1966	1566	1216	976	976
		SHC	311	426	526	576	576	311	446	576	626	626	356	521	671	776	776
		LDB	72.45	68.66	63.35	57.93	52.49	73.24	69.02	63.69	58.32	52.91	73.73	69.27	63.95	58.60	53.23
75	100	TC	513	296	271	270	269	556	334	321	320	319	586	366	359	358	357
		SHC	150	258	271	270	269	177	313	321	320	319	199	357	359	358	357
		LDB	71.11	68.37	67.97	67.93	67.90	72.02	69.05	68.82	68.79	68.76	72.65	69.59	69.50	69.47	69.44
	170	TC	576	318	280	279	278	636	364	335	334	333	679	399	379	378	377
		SHC	159	263	280	279	278	189	321	335	334	333	212	370	379	378	377
		LDB	70.33	68.02	67.55	67.52	67.49	71.27	68.65	68.31	68.28	68.25	71.93	69.13	68.92	68.89	68.86
	240	TC	615	335	285	284	283	688	383	344	343	341	741	422	390	389	388
		SHC	166	267	285	284	283	197	326	344	343	341	221	376	390	389	388
		LDB	69.84	67.76	67.31	67.29	67.27	70.77	68.41	68.02	67.99	67.96	71.44	68.88	68.59	68.56	68.53
	310	TC	642	347	289	288	287	725	396	349	348	347	785	438	398	396	395
		SHC	170	269	289	288	287	202	329	349	348	347	228	380	398	396	395
		LDB	69.50	67.61	67.16	67.14	67.12	70.41	68.25	67.83	67.80	67.77	71.08	68.71	68.37	68.34	68.31
85	100	TC	85	84	84	83	83	97	97	97	97	96	107	107	106	106	106
		SHC	85	84	84	83	83	97	97	97	97	96	107	107	106	106	106
		LDB	76.29	76.30	76.28	76.27	76.26	76.65	76.63	76.62	76.61	76.60	76.92	76.90	76.89	76.88	76.87
	170	TC	95	91	91	90	90	109	108	108	107	107	122	121	120	120	120
		SHC	90	91	91	90	90	109	108	108	107	107	122	121	120	120	120
		LDB	76.03	75.98	75.97	75.96	75.95	76.24	76.26	76.25	76.24	76.23	76.49	76.49	76.48	76.47	76.46
	240	TC	102	94	94	93	93	117	113	112	112	112	129	127	127	127	126
		SHC	92	94	94	93	93	112	113	112	112	112	129	127	127	127	126
		LDB	75.92	75.84	75.83	75.82	75.82	76.12	76.10	76.08	76.07	76.07	76.27	76.30	76.29	76.28	76.27
	310	TC	107	96	95	95	95	123	115	115	115	114	135	131	131	130	130
		SHC	92	96	95	95	95	114	115	115	115	114	132	131	131	130	130
		LDB	75.86	75.77	75.76	75.75	75.74	76.04	76.00	75.99	75.98	75.97	76.19	76.19	76.18	76.17	76.16
380	TC	110	97	97	96	96	127	117	117	116	116	140	134	133	133	132	
	SHC	93	97	97	96	96	115	117	117	116	116	134	134	133	133	132	
	LDB	75.82	75.72	75.71	75.70	75.69	75.99	75.94	75.93	75.92	75.91	76.12	76.12	76.11	76.10	76.09	

See Legend on page 59.

Performance data (cont)



WATERSIDE ECONOMIZER COOLING CAPACITY (cont) 50XJ104

EWT (F)	GPM	BF	AIR ENTERING EVAPORATOR — CFM														
			22,300					28,000					33,500				
			Air Entering Evaporator — Ewb (F)														
			77	72	67	62	57	77	72	67	62	57	77	72	67	62	57
0.056	0.056	0.078	0.300	0.310	0.056	0.059	0.100	0.300	0.310	0.056	0.069	0.127	0.300	0.310			
45	120	TC	1182	954	751	641	639	1263	1023	821	738	736	1318	1070	881	816	815
		SHC	270	414	549	641	639	298	481	648	738	736	323	541	736	816	815
		LDB	63.53	59.84	56.34	53.79	53.73	65.80	61.81	58.11	55.96	55.89	67.39	63.25	59.46	57.77	57.71
		LWB	63.53	59.84	56.34	51.86	45.70	65.80	61.81	57.83	52.77	46.72	67.39	63.19	58.83	53.52	47.56
	190	TC	1417	1133	867	689	684	1556	1246	966	804	802	1658	1330	1044	903	901
		SHC	319	456	580	688	684	354	531	691	804	802	384	598	788	903	901
		LDB	60.27	57.18	54.49	51.88	51.89	62.74	59.27	56.18	53.81	53.74	64.54	60.83	57.57	55.41	55.34
		LWB	60.27	57.18	54.49	51.01	44.82	62.74	59.27	56.05	51.86	45.70	64.54	60.81	57.20	52.53	46.45
	260	TC	1546	1231	940	719	706	1728	1377	1054	840	835	1865	1486	1147	948	946
		SHC	349	481	601	703	706	390	562	717	840	835	425	635	817	948	946
		LDB	58.35	55.64	53.30	51.13	51.00	60.84	57.72	55.01	52.64	52.66	62.70	59.30	56.44	54.19	54.12
		LWB	58.35	55.64	53.30	50.49	44.38	60.84	57.72	54.94	51.36	45.18	62.70	59.31	56.14	52.01	45.87
330	TC	1627	1293	985	742	718	1839	1461	1116	865	855	2003	1591	1220	978	973	
	SHC	368	498	614	714	718	415	583	733	857	855	453	660	839	978	973	
	LDB	57.12	54.65	52.55	50.61	50.47	59.56	56.69	54.23	52.04	52.02	61.43	58.26	55.62	53.37	53.38	
	LWB	57.12	54.65	52.54	50.08	44.13	59.56	56.69	54.14	51.01	44.87	61.43	58.28	55.37	51.66	45.52	
400	TC	1682	1334	1015	757	727	1917	1520	1159	883	868	2101	1666	1274	998	991	
	SHC	382	509	623	720	727	432	598	745	867	868	475	677	853	997	991	
	LDB	56.25	53.96	52.03	50.30	50.13	58.64	55.96	53.67	51.67	51.59	60.50	57.52	55.04	52.85	52.88	
	LWB	56.25	53.96	52.03	49.81	43.96	58.64	55.96	53.58	50.76	44.66	60.50	57.52	54.79	51.44	45.28	
55	120	TC	836	616	468	461	460	888	664	534	530	924	700	590	588	587	
		SHC	207	342	459	461	460	234	406	534	531	530	259	461	590	588	587
		LDB	67.92	64.48	61.27	61.15	61.10	69.43	65.68	62.70	62.69	62.64	70.48	66.63	64.04	63.99	63.93
		LWB	67.92	64.48	60.56	54.91	49.11	69.43	65.59	61.17	55.52	49.79	70.47	66.37	61.64	56.02	50.36
	190	TC	1014	738	520	493	491	1105	807	591	578	577	1171	858	654	650	649
		SHC	239	367	480	493	491	270	435	573	578	577	299	496	654	650	649
		LDB	65.72	62.86	60.22	59.85	59.81	67.37	64.16	61.34	61.17	61.11	68.57	65.19	62.28	62.30	62.25
		LWB	65.72	62.86	59.82	54.38	48.53	67.37	64.12	60.52	54.91	49.11	68.57	65.04	61.02	55.36	49.61
	260	TC	1116	808	550	508	506	1237	897	631	602	600	1327	966	697	682	680
		SHC	258	381	490	508	506	293	453	589	602	600	325	516	676	682	680
		LDB	64.40	61.91	59.70	59.23	59.19	66.07	63.21	60.71	60.41	60.36	67.32	64.26	61.61	61.44	61.40
		LWB	64.40	61.91	59.37	54.13	48.24	66.07	63.17	60.07	54.60	48.77	67.32	64.11	60.61	55.01	49.23
330	TC	1181	852	570	517	515	1323	956	658	615	614	1433	1039	730	701	699	
	SHC	270	391	496	517	515	309	465	598	615	614	343	530	690	701	699	
	LDB	63.54	61.30	59.37	58.86	58.82	65.19	62.58	60.33	59.96	59.91	66.45	63.63	61.15	60.93	60.88	
	LWB	63.54	61.30	59.08	53.98	48.08	65.19	62.53	59.76	54.42	48.57	66.45	63.47	60.29	54.80	49.00	
400	TC	1225	882	587	523	521	1385	998	676	625	623	1509	1091	753	713	711	
	SHC	279	398	501	523	521	321	474	604	625	623	357	541	698	713	711	
	LDB	62.94	60.87	59.08	58.62	58.59	64.56	62.13	60.08	59.66	59.62	65.82	63.17	60.87	60.58	60.53	
	LWB	62.94	60.87	58.83	53.88	47.97	64.56	62.08	59.54	54.30	48.43	65.82	63.01	60.07	54.66	48.84	
65	120	TC	467	290	279	278	278	494	326	322	321	320	512	359	357	356	355
		SHC	150	272	279	278	278	176	323	322	321	320	198	359	357	356	355
		LDB	72.14	68.89	68.65	68.62	68.59	72.92	69.59	69.57	69.54	69.51	73.51	70.36	70.35	70.31	70.28
		LWB	72.14	68.53	63.26	57.83	52.37	72.92	68.90	63.56	58.17	52.75	73.46	69.14	63.82	58.45	53.07
	190	TC	572	328	298	297	296	619	369	350	349	348	655	404	394	393	392
		SHC	166	283	298	297	296	194	340	350	349	348	218	390	394	393	392
		LDB	70.98	68.30	67.88	67.85	67.82	71.84	68.91	68.67	68.63	68.60	72.50	69.47	69.35	69.31	69.28
		LWB	70.98	68.08	62.99	57.54	52.05	71.84	68.48	63.26	57.83	52.37	72.45	68.77	63.48	58.08	52.65
	260	TC	634	350	307	306	305	697	398	364	363	362	746	436	413	411	410
		SHC	175	288	307	306	305	205	348	364	363	362	231	402	413	411	410
		LDB	70.28	67.99	67.51	67.49	67.46	71.15	68.58	68.22	68.19	68.16	71.84	69.06	68.84	68.80	68.78
		LWB	70.28	67.82	62.87	57.40	51.89	71.15	68.20	63.10	57.66	52.19	71.79	68.51	63.31	57.89	52.44
330	TC	674	368	312	311	310	750	416	372	371	370	808	460	424	422	421	
	SHC	181	292	312	311	310	213	352	372	371	370	240	408	424	422	421	
	LDB	69.82	67.75	67.30	67.27	67.25	70.69	68.36	67.95	67.92	67.90	71.38	68.83	68.53	68.50	68.47	
	LWB	69.82	67.60	62.79	57.32	51.80	70.69	68.03	63.01	57.56	52.07	71.33	68.33	63.20	57.77	52.31	
400	TC	703	380	316	315	314	787	429	378	376	375	854	476	431	430	429	
	SHC	186	294	316	315	314	219	355	378	376	375	247	412	431	430	429	
	LDB	69.49	67.61	67.16	67.13	67.11	70.35	68.21	67.78	67.75	67.72	71.04	68.67	68.33	68.30	68.27	
	LWB	69.49	67.45	62.74	57.26	51.74	70.35	67.91	62.95	57.49	52.00	70.99	68.20	63.13	57.69	52.22	
75	120	TC	95	94	94	93	93	109	109	108	108	108	120	120	120	120	119
		SHC	95	94	94	93	93	109	108	108	108	108	120	120	120	120	119
		LDB	76.19	76.21	76.19	76.18	76.17	76.53	76.51	76.50	76.49	76.48	76.79	76.77	76.76	76.75	76.74
		LWB	76.00	70.89	65.76	60.63	55.48	76.08	70.97	65.86	60.73	55.60	76.14	71.04	65.93	60.82	55.70
	190	TC	105	100	100	99	99	119	118	117	117	117	134	133	132	132	131
		SHC	99	100	100	99	99	119	118	117	117	117	134	133	132	132	131
		LDB	76.00	75.95	75.94	75.93	75.92	76.21	76.21	76.20	76.19	76.18	76.43	76.44	76.43	76.42	76.41
		LWB	75.89	70.82	65.68	60.54	55.38	75.99	70.88	65.76	60.63	55.48	76.04	70.94	65.83	60.70	55.56
	260	TC	112	103	103	102	102	127	122	122	121	121	141	139	138	138	137
		SHC	100	103	103	102	102	121	122	122	121	121	141	139	138	138	137
		LDB	75.91	75.83	75.82	75.81	75.81	76.10	76.07	76.06	76.05	76.04	76.25	76.27	76.26	76.25	76.24
		LWB	75.82	70.78	65.65	60.50	55.34	75.93	70.84	65.71	60.57	55.42	75.99	70.89	65.77	60.64	55.50
330	TC	117	105	104	104	104	133	125	124	124	124	146	142	142	141	141	
	SHC	101	105	104	104	104	123	125	124	124	124	143	142	142	141	141	
	LDB	75.86	75.76	75.75	75.74	75.74	76.03	75.98	75.97	75.96	75.95	76.18	76.17	76.16	76.15	76.14	
	LWB	75.77	70.76	65.62	60.47	55.31	75.87	70.82	65.69	60.54	55.39	75.95	70.87	65.74	60.60	55.46	
400	TC	120	106	106	105	105	138	127	126	126	125	152	145	144	144		



HOT WATER COIL RATINGS

UNIT	SIZE	CFM	GPM	CAPACITY MBtuh	WATER PD (in. wg)	AIR PD (in. wg)	MIN GPM	MAX GPM
50XJ	064	15,000	112.7	1090.9	0.62	0.13	60	200
		17,000	120.9	1170.7	0.71	0.15	60	200
		19,000	128.5	1244.1	0.79	0.19	60	200
		21,000	135.6	1312.1	0.87	0.23	60	200
		23,000	142.1	1375.5	0.95	0.27	60	200
	074	15,000	112.7	1090.9	0.62	0.13	60	200
		17,000	120.9	1170.7	0.71	0.15	60	200
		19,000	128.5	1244.1	0.79	0.19	60	200
		21,000	135.6	1312.1	0.87	0.23	60	200
		23,000	142.1	1375.5	0.95	0.27	60	200
	084	19,000	146.8	1420.6	1.01	0.13	75	250
		21,000	155.4	1504.1	1.12	0.15	75	250
		23,000	163.5	1582.4	1.23	0.17	75	250
		25,000	171.1	1655.9	1.34	0.20	75	250
		27,000	178.2	1725.3	1.44	0.23	75	250
		29,000	185.0	1791.0	1.54	0.27	75	250
	094	20,000	153.8	1488.5	0.82	0.12	85	350
		22,000	162.4	1571.8	0.91	0.15	85	350
		24,000	170.5	1650.1	1.00	0.17	85	350
		26,000	178.1	1723.8	1.08	0.19	85	350
		28,000	185.3	1793.6	1.16	0.22	85	350
		30,000	192.1	1859.8	1.24	0.26	85	350
		32,000	198.6	1922.7	1.31	0.31	85	350
	104	22,000	171.0	1655.0	1.00	0.13	100	350
		24,000	179.7	1739.8	1.09	0.15	100	350
		26,000	188.0	1819.9	1.18	0.17	100	350
		28,000	195.9	1895.7	1.28	0.19	100	350
		30,000	203.3	1967.8	1.37	0.22	100	350
		32,000	210.4	2036.4	1.45	0.24	100	350
		34,000	217.2	2102.0	1.54	0.27	100	350

LEGEND

MBtuh — Btuh in Thousands
 PD — Pressure Drop

STEAM RATINGS

UNIT	SIZE	CFM	CAPACITY MBtuh	CONDENSATE (lb/hr)	AIR PD (in. wg)
50XJ	064	15,000	757.9	785.39	0.09
		17,000	797.0	825.91	0.11
		19,000	831.8	861.97	0.12
		21,000	863.3	894.61	0.14
		23,000	892.1	924.46	0.16
	074	15,000	757.9	785.39	0.09
		17,000	79.07	825.91	0.11
		19,000	831.8	861.97	0.12
		21,000	863.3	894.61	0.14
		23,000	892.1	924.46	0.16
	084	19,000	964.6	999.59	0.09
		21,000	1004.5	1040.93	0.10
		23,000	1040.9	1078.65	0.12
		25,000	1074.3	1113.26	0.13
		27,000	1105.3	1145.39	0.14
		29,000	1134.1	1175.23	0.16
	094	20,000	1011.5	1048.19	0.09
		22,000	1051.2	1089.33	0.10
		24,000	1087.6	1127.05	0.11
		26,000	1121.2	1161.87	0.13
		28,000	1152.4	1194.20	0.14
		30,000	1181.5	1224.35	0.15
		32,000	1208.7	1252.54	0.16
	104	22,000	1108.4	1148.60	0.09
		24,000	1148.0	1189.64	0.10
		26,000	1184.6	1227.56	0.11
		28,000	1218.5	1262.69	0.12
		30,000	1250.2	1295.54	0.14
		32,000	1279.9	1326.32	0.15
		34,000	1307.9	1355.34	0.16

LEGEND

MBtuh — Btuh in Thousands
 PD — Pressure Drop

Performance data (cont)



EVAPORATOR FAN PERFORMANCE

50XJ064

AIRFLOW CFM	AVAILABLE EXTERNAL STATIC PRESSURE (in. wg)														
	0.5			1.0			1.5			2.0			2.5		
	Rpm	Bhp	Watts	Rpm	Bhp	Watts	Rpm	Bhp	Watts	Rpm	Bhp	Watts	Rpm	Bhp	Watts
14,000	429	5.08	4,284	492	6.44	5,433	550	7.90	6,581	605	9.44	7,870	659	11.09	9,089
16,000	468	7.02	5,920	525	8.55	7,123	578	10.13	8,308	629	11.81	9,682	677	13.57	11,122
18,000	508	9.42	7,856	561	11.12	9,114	610	12.86	10,541	656	14.66	12,022	701	16.55	13,567
20,000	549	12.35	10,122	598	14.21	11,649	644	16.11	13,205	687	18.06	14,807	728	20.07	16,331
22,000	590	15.82	12,972	636	17.87	14,652	679	19.94	16,344	719	22.04	17,931	758	24.20	19,688

AIRFLOW CFM	AVAILABLE EXTERNAL STATIC PRESSURE (in. wg)														
	3.0			3.5			4.0			4.5			5.0		
	Rpm	Bhp	Watts	Rpm	Bhp	Watts	Rpm	Bhp	Watts	Rpm	Bhp	Watts	Rpm	Bhp	Watts
14,000	711	12.82	10,508	761	14.63	11,989	810	16.51	13,531	857	18.45	15,127	903	20.45	16,640
16,000	725	15.41	12,634	771	17.33	14,206	816	19.32	15,842	860	21.39	17,398	904	23.51	19,129
18,000	745	18.51	15,172	787	20.54	16,709	829	22.65	18,422	870	24.82	20,192	910	27.06	21,847
20,000	769	22.16	18,026	809	24.31	19,777	847	26.53	21,419	885	28.81	23,263	923	31.16	24,998
22,000	796	26.42	21,327	833	28.69	23,165	869	31.03	24,888	—	—	—	—	—	—

50XJ074

AIRFLOW CFM	AVAILABLE EXTERNAL STATIC PRESSURE (in. wg)														
	0.5			1.0			1.5			2.0			2.5		
	Rpm	Bhp	Watts	Rpm	Bhp	Watts	Rpm	Bhp	Watts	Rpm	Bhp	Watts	Rpm	Bhp	Watts
16,000	468	7.02	5,920	525	8.55	7,123	578	10.13	8,308	629	11.81	9,682	677	13.57	11,122
18,000	508	9.42	7,856	561	11.12	9,114	610	12.86	10,541	656	14.66	12,022	701	16.55	13,567
20,000	549	12.35	10,122	598	14.21	11,649	644	16.11	13,205	687	18.06	14,807	728	20.07	16,331
22,000	590	15.82	12,972	636	17.87	14,652	679	19.94	16,344	719	22.04	17,931	758	24.20	19,688
24,000	631	19.92	16,329	674	22.15	18,021	715	24.40	19,846	753	26.66	21,525	790	28.97	23,388

AIRFLOW CFM	AVAILABLE EXTERNAL STATIC PRESSURE (in. wg)														
	3.0			3.5			4.0			4.5			5.0		
	Rpm	Bhp	Watts	Rpm	Bhp	Watts	Rpm	Bhp	Watts	Rpm	Bhp	Watts	Rpm	Bhp	Watts
16,000	725	15.41	12,634	771	17.33	14,206	816	19.32	15,842	860	21.39	17,398	904	23.51	19,129
18,000	745	18.51	15,172	787	20.54	16,709	829	22.65	18,422	870	24.82	20,192	910	27.06	21,847
20,000	769	22.16	18,026	809	24.31	19,777	847	26.53	21,419	885	28.81	23,263	923	31.16	24,998
22,000	796	26.42	21,327	833	28.69	23,165	869	31.03	24,888	—	—	—	—	—	—
24,000	826	31.32	25,125	—	—	—	—	—	—	—	—	—	—	—	—

50XJ084

AIRFLOW CFM	AVAILABLE EXTERNAL STATIC PRESSURE (in. wg)														
	0.5			1.0			1.5			2.0			2.5		
	Rpm	Bhp	Watts	Rpm	Bhp	Watts	Rpm	Bhp	Watts	Rpm	Bhp	Watts	Rpm	Bhp	Watts
18,000	483	8.68	7,231	538	10.35	8,487	588	12.07	9,893	636	13.84	11,349	681	15.69	12,862
20,000	521	11.36	9,316	573	13.22	10,840	620	15.10	12,381	664	17.03	13,960	707	19.01	15,583
22,000	559	14.57	11,946	608	16.63	13,630	653	18.68	15,312	695	20.76	16,889	735	22.88	18,615
24,000	598	18.35	15,042	644	20.60	16,757	687	22.83	18,574	727	25.08	20,251	765	27.36	22,090
26,000	637	22.74	18,503	681	25.20	20,342	722	27.62	22,297	760	30.04	24,094	796	32.48	26,053
28,000	676	27.80	22,442	718	30.45	24,427	—	—	—	—	—	—	—	—	—

AIRFLOW CFM	AVAILABLE EXTERNAL STATIC PRESSURE (in. wg)														
	3.0			3.5			4.0			4.5			5.0		
	Rpm	Bhp	Watts	Rpm	Bhp	Watts	Rpm	Bhp	Watts	Rpm	Bhp	Watts	Rpm	Bhp	Watts
18,000	725	17.62	14,442	768	19.61	16,079	811	21.69	17,644	852	23.83	19,387	892	26.04	21,027
20,000	748	21.05	17,122	788	23.16	18,841	827	25.35	20,466	865	27.60	22,285	903	29.92	24,153
22,000	773	25.06	20,235	811	27.29	22,037	848	29.60	23,899	884	31.96	25,640	—	—	—
24,000	801	29.68	23,964	837	32.05	25,709	—	—	—	—	—	—	—	—	—
26,000	—	—	—	—	—	—	—	—	—	—	—	—	—	—	—
28,000	—	—	—	—	—	—	—	—	—	—	—	—	—	—	—

LEGEND

Bhp — Brake Horsepower

See page 67 for General Fan Performance notes.



EVAPORATOR FAN PERFORMANCE

50XJ094

AIRFLOW CFM	AVAILABLE EXTERNAL STATIC PRESSURE (in. wg)														
	0.5			1.0			1.5			2.0			2.5		
	Rpm	Bhp	Watts	Rpm	Bhp	Watts	Rpm	Bhp	Watts	Rpm	Bhp	Watts	Rpm	Bhp	Watts
20,000	405	8.06	6,722	461	9.90	8,249	513	11.84	9,705	563	13.93	11,422	613	16.19	13,269
22,000	431	10.22	8,380	483	12.21	10,007	532	14.28	11,705	579	16.47	13,503	625	18.80	15,415
24,000	458	12.74	10,445	507	14.89	12,209	553	17.10	14,022	597	19.41	15,913	639	21.84	17,768
26,000	485	15.66	12,839	531	17.98	14,742	575	20.34	16,549	616	22.78	18,533	656	25.32	20,442
28,000	512	19.00	15,578	556	21.51	17,497	597	24.03	19,548	637	26.60	21,476	675	29.26	23,624
30,000	539	22.81	18,553	581	25.49	20,581	621	28.18	22,748	658	30.90	24,785	695	33.69	27,026

AIRFLOW CFM	AVAILABLE EXTERNAL STATIC PRESSURE (in. wg)														
	3.0			3.5			4.0			4.5			5.0		
	Rpm	Bhp	Watts	Rpm	Bhp	Watts	Rpm	Bhp	Watts	Rpm	Bhp	Watts	Rpm	Bhp	Watts
20,000	661	18.60	15,251	707	21.17	17,221	753	23.89	19,431	797	26.74	21,585	840	29.71	23,987
22,000	669	21.29	17,316	713	23.91	19,449	756	26.68	21,538	798	29.58	23,883	839	32.62	26,164
24,000	681	24.40	19,850	722	27.09	21,873	763	29.92	24,154	802	32.87	26,368	841	35.95	28,839
26,000	696	27.96	22,577	734	30.74	24,655	772	33.62	26,972	809	36.64	29,391	846	39.78	31,911
28,000	712	32.01	25,678	748	34.87	27,970	784	37.84	30,357	820	40.92	32,827	—	—	—
30,000	730	36.55	29,322	764	39.52	31,699	798	42.58	34,154	—	—	—	—	—	—

50XJ104

AIRFLOW CFM	AVAILABLE EXTERNAL STATIC PRESSURE (in. wg)														
	0.5			1.0			1.5			2.0			2.5		
	Rpm	Bhp	Watts	Rpm	Bhp	Watts	Rpm	Bhp	Watts	Rpm	Bhp	Watts	Rpm	Bhp	Watts
22,000	422	9.90	8,254	475	11.88	9,739	524	13.93	11,422	572	16.11	13,204	617	18.42	15,098
24,000	448	12.35	10,121	498	14.49	11,880	545	16.69	13,682	589	18.98	15,557	632	21.38	17,395
26,000	474	15.18	12,440	522	17.50	14,348	566	19.85	16,272	608	22.27	18,115	648	24.78	20,160
28,000	501	18.42	15,097	546	20.92	17,023	588	23.43	19,063	628	26.00	20,988	666	28.63	23,116
30,000	528	22.10	17,979	571	24.80	20,174	611	27.48	22,185	649	30.19	24,213	685	32.96	26,439
32,000	554	26.25	21,193	596	29.14	23,524	634	31.99	25,664	671	34.87	27,974	706	37.78	30,306

AIRFLOW CFM	AVAILABLE EXTERNAL STATIC PRESSURE (in. wg)														
	3.0			3.5			4.0			4.5			5.0		
	Rpm	Bhp	Watts	Rpm	Bhp	Watts	Rpm	Bhp	Watts	Rpm	Bhp	Watts	Rpm	Bhp	Watts
22,000	662	20.87	16,980	706	23.47	19,097	749	26.22	21,167	791	29.10	23,498	832	32.12	25,762
24,000	674	23.91	19,455	715	26.58	21,459	755	29.38	23,724	795	32.31	25,920	834	35.38	28,378
26,000	687	27.40	22,124	726	30.15	24,183	764	33.02	26,484	802	36.01	28,882	839	39.12	31,381
28,000	703	31.36	25,155	740	34.20	27,430	776	37.13	29,787	811	40.19	32,242	846	43.37	34,787
30,000	721	35.81	28,723	756	38.74	31,076	790	41.77	33,507	823	44.91	36,028	857	48.15	38,627
32,000	740	40.76	32,698	773	43.80	35,134	805	46.95	37,662	—	—	—	—	—	—

LEGEND

Bhp — Brake Horsepower

GENERAL FAN PERFORMANCE NOTES

1. Units are available with several motor hp options, refer to the physical data table.
2. Do not operate in shaded area.
3. Static pressure losses must be applied to external static pressure before entering the fan performance table.
4. Interpolation is permitted; extrapolation is not.
5. Fan performance is based on filter, unit casing, and wet coil losses.

Performance data (cont)



COMPONENT PRESSURE DROP (Airside)

50XJ064

AIRFLOW CFM	STATIC PRESSURE LOSS (in. wg)							
	Direct Expansion Coil (Wet)	Economizer Coil	Hot Water Coil	Steam Coil	2-in. 30% Filter	4-in. 30% Filter	4-in. 65% Filter	4-in. 85% Filter
14,000	0.49	0.20	0.11	0.08	0.21	0.16	0.22	0.42
16,000	0.60	0.25	0.14	0.10	0.26	0.21	0.34	0.53
18,000	0.72	0.30	0.17	0.11	0.31	0.26	0.47	0.66
20,000	0.85	0.36	0.21	0.13	0.37	0.32	0.62	0.80
22,000	0.99	0.42	0.25	0.15	0.44	0.39	0.79	0.94

50XJ074

AIRFLOW CFM	STATIC PRESSURE LOSS (in. wg)							
	Direct Expansion Coil (Wet)	Economizer Coil	Hot Water Coil	Steam Coil	2-in. 30% Filter	4-in. 30% Filter	4-in. 65% Filter	4-in. 85% Filter
16,000	0.60	0.25	0.14	0.10	0.26	0.21	0.34	0.53
18,000	0.72	0.30	0.17	0.11	0.31	0.26	0.47	0.66
20,000	0.85	0.36	0.21	0.13	0.37	0.32	0.62	0.80
22,000	0.99	0.42	0.25	0.15	0.44	0.39	0.79	0.94
24,000	1.13	0.48	0.29	0.17	0.51	0.46	0.97	1.09

50XJ084

AIRFLOW CFM	STATIC PRESSURE LOSS (in. wg)							
	Direct Expansion Coil (Wet)	Economizer Coil	Hot Water Coil	Steam Coil	2-in. 30% Filter	4-in. 30% Filter	4-in. 65% Filter	4-in. 85% Filter
18,000	0.50	0.21	0.12	0.08	0.22	0.17	0.23	0.43
20,000	0.59	0.24	0.14	0.09	0.25	0.20	0.33	0.52
22,000	0.68	0.28	0.16	0.11	0.29	0.24	0.43	0.62
24,000	0.78	0.33	0.19	0.12	0.34	0.29	0.54	0.72
26,000	0.88	0.37	0.22	0.14	0.39	0.34	0.66	0.83
28,000	0.99	0.42	0.25	0.15	0.44	0.39	0.79	0.95

50XJ094

AIRFLOW CFM	STATIC PRESSURE LOSS (in. wg)							
	Direct Expansion Coil (Wet)	Economizer Coil	Hot Water Coil	Steam Coil	2-in. 30% Filter	4-in. 30% Filter	4-in. 65% Filter	4-in. 85% Filter
20,000	0.54	0.22	0.12	0.09	0.23	0.18	0.28	0.47
22,000	0.63	0.26	0.15	0.10	0.27	0.22	0.37	0.56
24,000	0.72	0.30	0.17	0.11	0.31	0.26	0.47	0.66
26,000	0.81	0.34	0.19	0.13	0.35	0.30	0.58	0.76
28,000	0.91	0.38	0.22	0.14	0.40	0.35	0.70	0.86
30,000	1.01	0.43	0.26	0.15	0.45	0.40	0.82	0.97

50XJ104

AIRFLOW CFM	STATIC PRESSURE LOSS (in. wg)							
	Direct Expansion Coil (Wet)	Economizer Coil	Hot Water Coil	Steam Coil	2-in. 30% Filter	4-in. 30% Filter	4-in. 65% Filter	4-in. 85% Filter
22,000	0.54	0.23	0.13	0.09	0.24	0.19	0.28	0.48
24,000	0.62	0.26	0.15	0.10	0.27	0.22	0.37	0.56
26,000	0.71	0.30	0.17	0.11	0.31	0.26	0.46	0.65
28,000	0.80	0.33	0.19	0.12	0.35	0.30	0.56	0.74
30,000	0.88	0.37	0.22	0.14	0.39	0.34	0.66	0.83
32,000	0.98	0.41	0.24	0.15	0.43	0.38	0.78	0.93



COMPONENT PRESSURE DROP (Waterside)

50XJ064, 50XJ074, 50XJA,B,C084 (ft wg)

GPM	CONDENSER ONLY	CONDENSER + VALVE	CONDENSER + ECONOMIZER + VALVE
100	4.5	8.5	12.0
110	5.4	10.1	14.2
120	6.3	11.8	16.6
130	7.3	13.6	19.2
140	8.3	15.5	21.9
150	9.4	17.6	24.8
160	10.5	19.7	27.8
170	11.8	22.0	31.0
180	13.0	24.4	34.3
190	14.4	26.9	37.8
200	15.8	29.5	41.5
210	17.2	32.2	45.2
220	18.7	35.0	49.2
230	20.3	37.9	53.2
240	21.9	40.9	57.5
250	23.5	44.1	61.8
260	25.3	47.3	66.3
263	25.8	48.3	67.7

50XJD,E,F084 (ft wg)

GPM	CONDENSER ONLY	CONDENSER + VALVE	CONDENSER + ECONOMIZER + VALVE
165	12.0	21.7	30.3
170	12.7	22.9	31.9
180	14.1	25.4	35.4
190	15.5	28.0	39.0
200	17.0	30.7	42.7
210	18.6	33.6	46.6
220	20.2	36.5	50.7
230	21.9	39.5	54.9
240	23.6	42.7	59.2
250	25.4	45.9	63.7
260	27.3	49.3	68.3
270	29.2	52.8	73.1
280	31.2	56.3	78.0
290	33.2	60.0	83.1
300	35.3	63.8	88.3
310	37.4	67.7	93.7
320	39.6	71.6	99.2
330	41.9	75.7	104.8
340	44.2	79.9	110.5
350	46.6	84.2	116.4

50XJA094 (ft wg)

GPM	CONDENSER ONLY	CONDENSER + VALVE	CONDENSER + ECONOMIZER + VALVE
150	9.4	17.6	23.1
160	10.5	19.7	25.9
170	11.8	22.0	28.9
180	13.0	24.4	32.0
190	14.4	26.9	35.2
200	15.8	29.5	38.6
210	17.2	32.2	42.2
220	18.7	35.0	45.8
230	20.3	37.9	49.6
240	21.9	40.9	53.6
250	23.5	44.1	57.6
260	25.3	47.3	61.8
263	25.8	48.3	63.1

50XJB,C,D,F094, 50XJA,B,D104 (ft wg)

GPM	CONDENSER ONLY	CONDENSER + VALVE	CONDENSER + ECONOMIZER + VALVE
165	12.0	21.7	28.2
170	12.7	22.9	29.8
180	14.1	25.4	33.0
190	15.5	28.0	36.4
200	17.0	30.7	39.9
210	18.6	33.6	43.5
220	20.2	36.5	47.3
230	21.9	39.5	51.2
240	23.6	42.7	55.3
250	25.4	45.9	59.5
260	27.3	49.3	63.9
270	29.2	52.8	68.3
280	31.2	56.3	72.9
290	33.2	60.0	77.7
300	35.3	63.8	82.5
310	37.4	67.7	87.5
320	39.6	71.6	92.7
330	41.9	75.7	97.9
340	44.2	79.9	103.3
350	46.6	84.2	108.8

50XJE,F104 (ft wg)

GPM	CONDENSER ONLY	CONDENSER + VALVE	CONDENSER + ECONOMIZER + VALVE
225	19.0	36.0	47.3
230	19.8	37.4	49.2
240	21.4	40.4	53.1
250	23.0	43.5	57.1
260	24.7	46.7	61.3
270	26.4	50.0	65.5
280	28.2	53.4	70.0
290	30.0	56.8	74.5
300	31.9	60.4	79.2
310	33.9	64.1	84.0
320	35.9	67.9	88.9
330	37.9	71.7	93.9
340	40.0	75.7	99.1
350	42.1	79.7	104.4
360	44.3	83.9	109.8
370	46.6	88.1	115.3
380	48.9	92.4	121.0
390	51.2	96.9	126.7
394	52.1	98.7	129.1

Electrical data



COMPRESSORS

UNIT	NOMINAL VOLTAGE (3 Ph, 60 Hz)	VOLTAGE RANGE		COMPRESSOR								IFM
		Min	Max	No. 1		No. 2		No. 3		No. 4		
				RLA	LRA	RLA	LRA	RLA	LRA	RLA	LRA	
50XJC064	208/230	187	253	32.6	278	32.6	278	32.6	278	32.6	278	See fan electrical data
	460	414	506	16.4	127	16.4	127	16.4	127	16.4	127	
	575	518	632	13.6	100	13.6	100	13.6	100	13.6	100	
50XJE064	208/230	187	253	32.6	278	41.0	350	41.0	350	41.0	350	See fan electrical data
	460	414	506	16.4	127	21.8	158	21.8	158	16.4	127	
	575	518	632	16.4	100	17.2	125	17.2	125	16.4	100	
50XJF064	208/230	187	253	41.0	350	41.0	350	41.0	350	41.0	350	See fan electrical data
	460	414	506	21.8	158	21.8	158	21.8	158	21.8	158	
	575	518	632	17.2	125	17.2	125	17.2	125	17.2	125	
50XJB074	208/230	187	253	32.6	278	41.0	350	41.0	350	41.0	350	See fan electrical data
	460	414	506	16.4	127	21.8	158	21.8	158	16.4	127	
	575	518	632	13.6	100	17.2	125	17.2	125	13.6	100	
50XJC074	208/230	187	253	41.0	350	41.0	350	41.0	350	41.0	350	See fan electrical data
	460	414	506	21.8	158	21.8	158	21.8	158	21.8	158	
	575	518	632	17.2	125	17.2	125	17.2	125	17.2	125	
50XJD074	208/230	187	253	41.0	350	48.0	425	48.0	425	41.0	350	See fan electrical data
	460	414	506	21.8	158	23.7	187	23.7	187	21.8	158	
	575	518	632	17.2	125	21.1	148	21.1	148	17.2	125	
50XJE074	208/230	187	253	48.0	425	48.0	425	48.0	425	48.0	425	See fan electrical data
	460	414	506	23.7	187	23.7	187	23.7	187	23.7	187	
	575	518	632	21.1	148	21.1	148	21.1	148	21.1	148	
50XJA084	208/230	187	253	41.0	350	41.0	350	41.0	350	41.0	350	See fan electrical data
	460	414	506	21.8	158	21.8	158	21.8	158	21.8	158	
	575	518	632	17.2	125	17.2	125	17.2	125	17.2	125	
50XJB084	208/230	187	253	41.0	350	48.0	425	48.0	425	41.0	350	See fan electrical data
	460	414	506	21.8	158	23.7	187	23.7	187	21.8	158	
	575	518	632	17.2	125	21.1	148	21.1	148	17.2	125	
50XJC084	208/230	187	253	48.0	425	48.0	425	48.0	425	48.0	425	See fan electrical data
	460	414	506	23.7	187	23.7	187	23.7	187	23.7	187	
	575	518	632	21.1	148	21.1	148	21.1	148	21.1	148	
50XJD084	208/230	187	253	41.0	350	73.1	505	73.1	505	41.0	350	See fan electrical data
	460	414	506	21.8	158	30.1	225	30.1	225	21.8	158	
	575	518	632	17.2	125	24.3	180	24.3	180	17.2	125	
50XJE084	208/230	187	253	48.0	425	73.1	505	73.1	505	48.0	425	See fan electrical data
	460	414	506	23.7	187	30.1	225	30.1	225	23.7	187	
	575	518	632	21.1	148	24.3	180	24.3	180	21.1	148	
50XJF084	208/230	187	253	41.0	350	78.8	500	78.8	500	41.0	350	See fan electrical data
	460	414	506	21.8	158	38.4	250	38.4	250	21.8	158	
	575	518	632	17.2	125	30.7	198	30.7	198	17.2	125	
50XJA094	460	414	506	23.7	187	23.7	187	23.7	187	23.7	187	See fan electrical data
	575	518	632	21.1	148	21.1	148	21.1	148	21.1	148	
	460	414	506	21.8	158	30.1	225	30.1	225	21.8	158	
50XJB094	575	518	632	17.2	125	24.3	180	24.3	180	17.2	125	See fan electrical data
	460	414	506	23.7	187	30.1	225	30.1	225	23.7	187	
	575	518	632	21.1	148	24.3	180	24.3	180	21.1	148	
50XJC094	460	414	506	23.7	187	30.1	225	30.1	225	23.7	187	See fan electrical data
	575	518	632	21.1	148	24.3	180	24.3	180	21.1	148	
	460	414	506	21.8	158	38.4	250	38.4	250	21.8	158	
50XJD094	575	518	632	17.2	125	30.7	198	30.7	198	17.2	125	See fan electrical data
	460	414	506	23.7	187	38.4	250	38.4	250	23.7	187	
	575	518	632	21.1	148	30.7	198	30.7	198	21.1	148	
50XJF094	460	414	506	23.7	187	30.1	225	30.1	225	23.7	187	See fan electrical data
	575	518	632	21.1	148	24.3	180	24.3	180	21.1	148	
	460	414	506	21.8	158	38.4	250	38.4	250	21.8	158	
50XJA104	575	518	632	21.1	148	24.3	180	24.3	180	21.1	148	See fan electrical data
	460	414	506	23.7	187	30.1	225	30.1	225	23.7	187	
	575	518	632	17.2	125	30.7	198	30.7	198	17.2	125	
50XJB104	460	414	506	23.7	187	38.4	250	38.4	250	23.7	187	See fan electrical data
	575	518	632	21.1	148	30.7	198	30.7	198	21.1	148	
	460	414	506	21.8	158	38.4	250	38.4	250	21.8	158	
50XJD104	575	518	632	21.1	148	30.7	198	30.7	198	21.1	148	See fan electrical data
	460	414	506	23.7	187	38.4	250	38.4	250	23.7	187	
	575	518	632	17.2	125	30.7	198	30.7	198	17.2	125	
50XJE104	460	414	506	30.1	225	38.4	250	38.4	250	30.1	225	See fan electrical data
	575	518	632	24.3	180	30.7	198	30.7	198	24.3	180	
	460	414	506	38.4	250	38.4	250	38.4	250	38.4	250	
50XJF104	575	518	632	30.7	198	30.7	198	30.7	198	30.7	198	See fan electrical data

LEGEND

- IFM — Indoor Fan Motor
- LRA — Locked Rotor Amps
- RLA — Rated Load Amps



INDOOR FAN MOTORS

MOTOR TYPE	MOTOR CODE	HP	NOMINAL VOLTAGE (3 Ph, 60 Hz)	VOLTAGE RANGE		FLA
				Min	Max	
Open Drip-Proof (ODP) High Efficiency	B	7.5	208/230	187	253	22.4/19.4
			460	414	506	9.7
			575	518	632	7.8
	C	10	208/230	187	253	29.3/26.8
			460	414	506	13.4
			575	518	632	10.3
	D	15	208/230	187	253	43.2/38.6
			460	414	506	19.3
			575	518	632	15.4
	E	20	208/230	187	253	56.0/49.6
			460	414	506	24.8
			575	518	632	19.8
	F	25	208/230	187	253	70.5/60.6
			460	414	506	30.3
			575	518	632	24.3
	G	30	208/230	187	253	85.0/75.0
			460	414	506	37.5
			575	518	632	30.0
	H	40	208/230	187	253	110/95.0
			460	414	506	45.0
			575	518	632	41.0
	J	50	460	414	506	58.5
			575	518	632	48.0
	Open Drip-Proof (ODP) Premium Efficiency	M	7.5	208/230	187	253
460				414	506	9.7
N		10	208/230	187	253	28.0/25.2
			460	414	506	12.6
P		15	208/230	187	253	42.5/37.8
			460	414	506	18.9
Q		20	208/230	187	253	56.0/49.0
			460	414	506	24.5
R		25	208/230	187	253	69.5/61.0
			460	414	506	30.5
S		30	208/230	187	253	82.5/72.4
			460	414	506	36.2
T		40	208/230	187	253	108/96.0
			460	414	506	48.0
U		50	460	414	506	60.0

LEGEND

FLA — Full Load Amps

Electrical data (cont)



INDOOR FAN MOTORS (cont)

MOTOR TYPE	MOTOR CODE	HP	NOMINAL VOLTAGE (3 Ph, 60 Hz)	VOLTAGE RANGE		FLA
				Min	Max	
Totally Enclosed Fan-Cooled (TEFC)	1	7.5	208/230	187	253	24.0/19.2
			460	414	506	9.6
			575	518	632	7.6
	2	10	208/230	187	253	28.3/24.0
			460	414	506	12.0
			575	518	632	9.6
	3	15	208/230	187	253	41.5/36.0
			460	414	506	18.0
			575	518	632	14.5
	4	20	208/230	187	253	56.3/47.0
			460	414	506	23.5
			575	518	632	18.8
	5	25	208/230	187	253	68.1/62.0
			460	414	506	31.0
			575	518	632	22.8
	6	30	208/230	187	253	81.7/73.6
			460	414	506	36.8
			575	518	632	27.6
	7	40	208/230	187	253	108/95.0
			460	414	506	47.5
			575	518	632	37.6
	8	50	460	414	506	59.0
			575	518	632	47.2

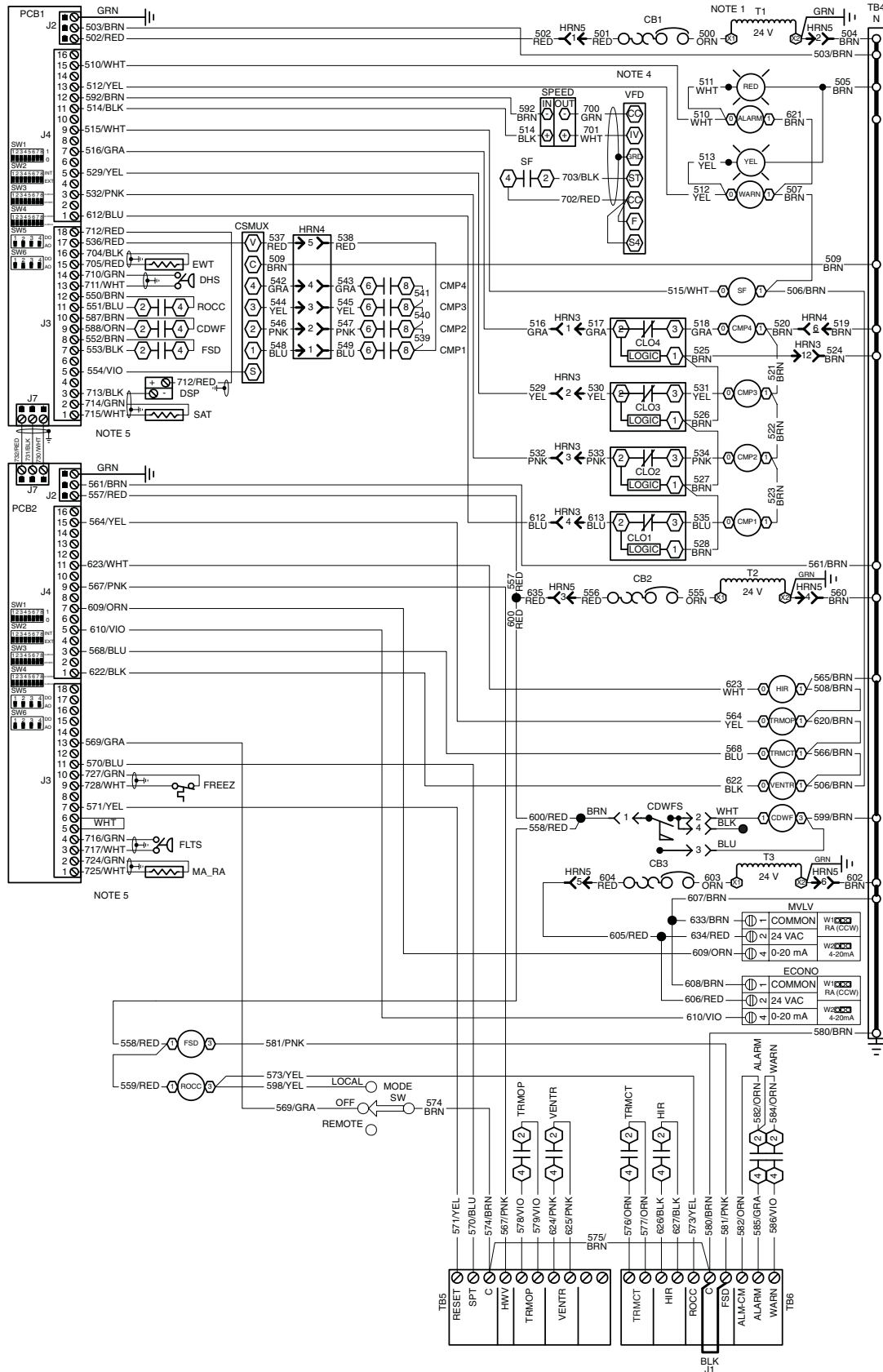
LEGEND

FLA — Full Load Amps

Typical wiring schematics



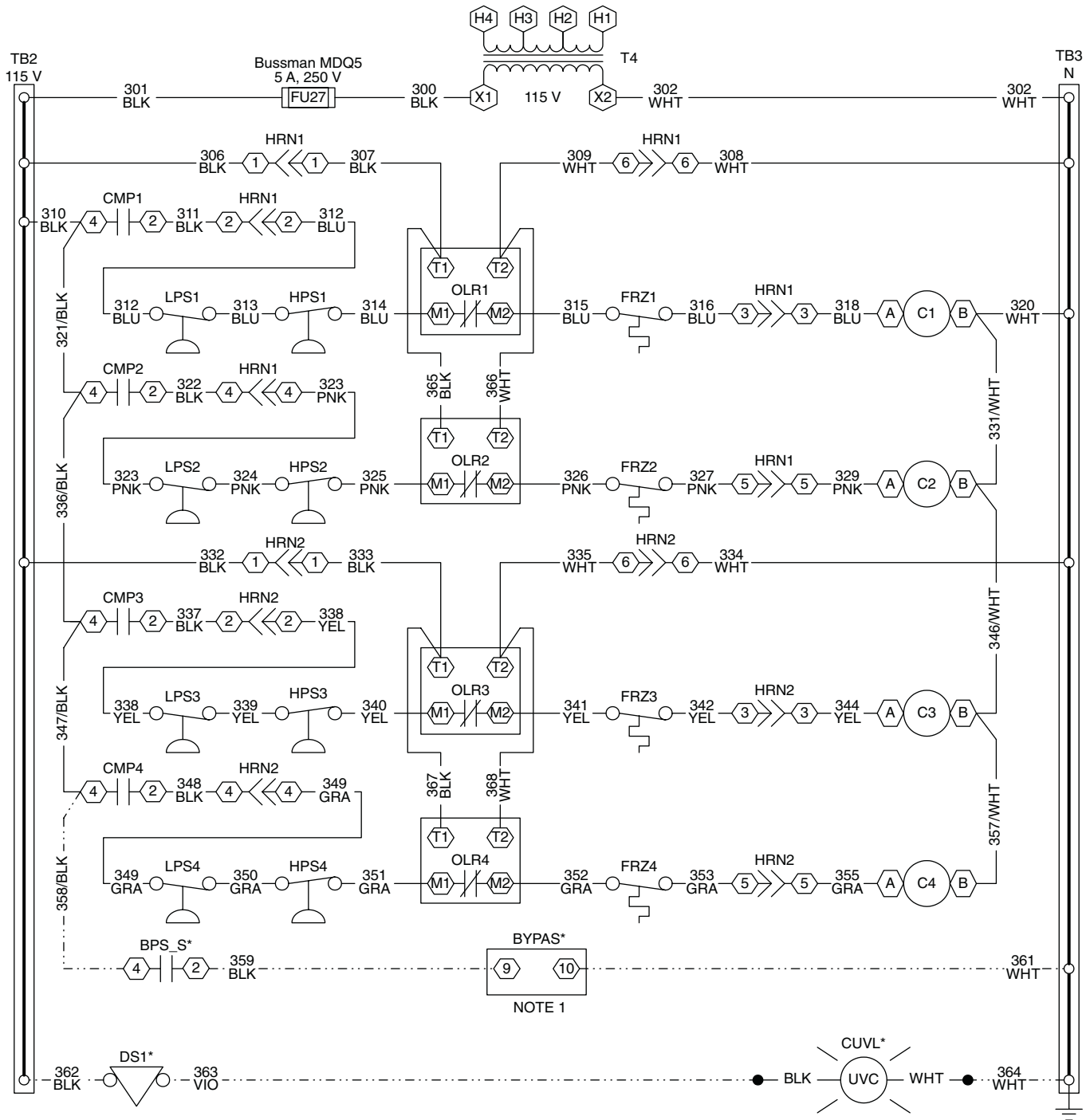
50XJ LOW VOLTAGE CONTROL WIRING



Typical wiring schematics (cont)



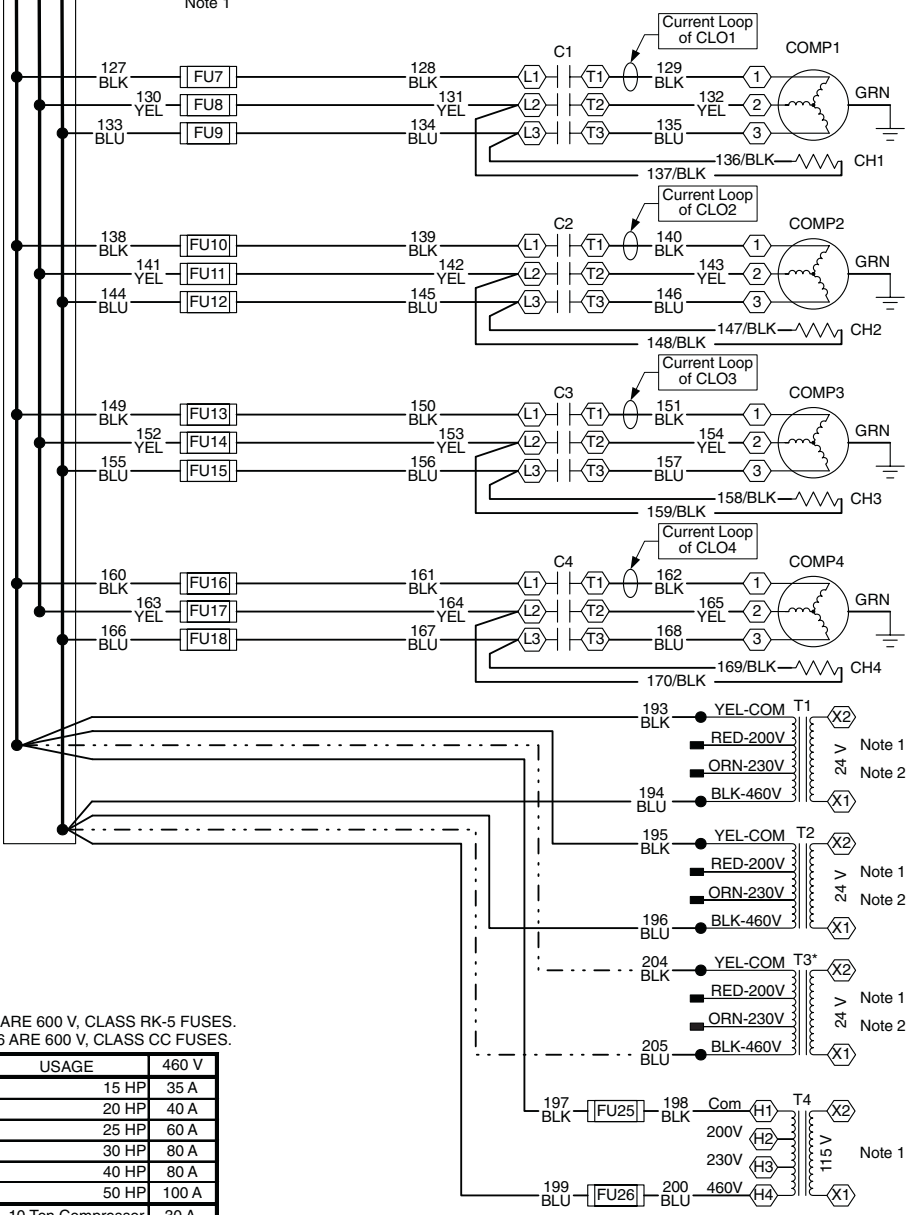
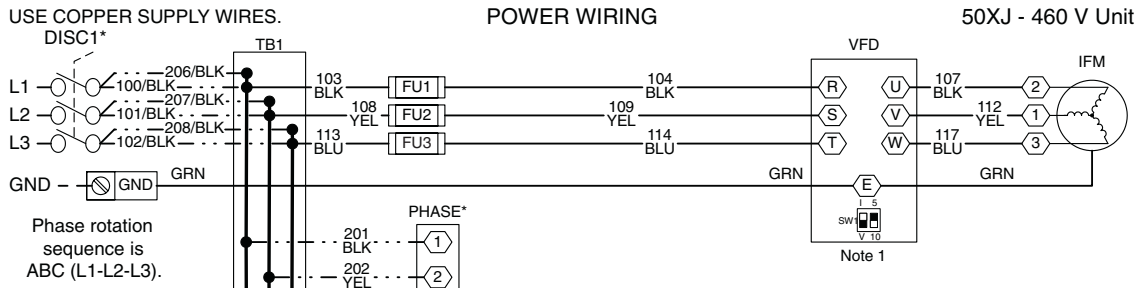
50XJ 115V CONTROL WIRING



SWITCH SETTINGS

ID	Open	Close
FRZ1-4	30 +/- 5 °F	45 +/- 6 °F
HPS1-4	360 +/- 10 PSIG	264 +/- 15 PSIG
LPS1-4	27 +/- 4 PSIG	67 +/- 7 PSIG

50XJ POWER WIRING



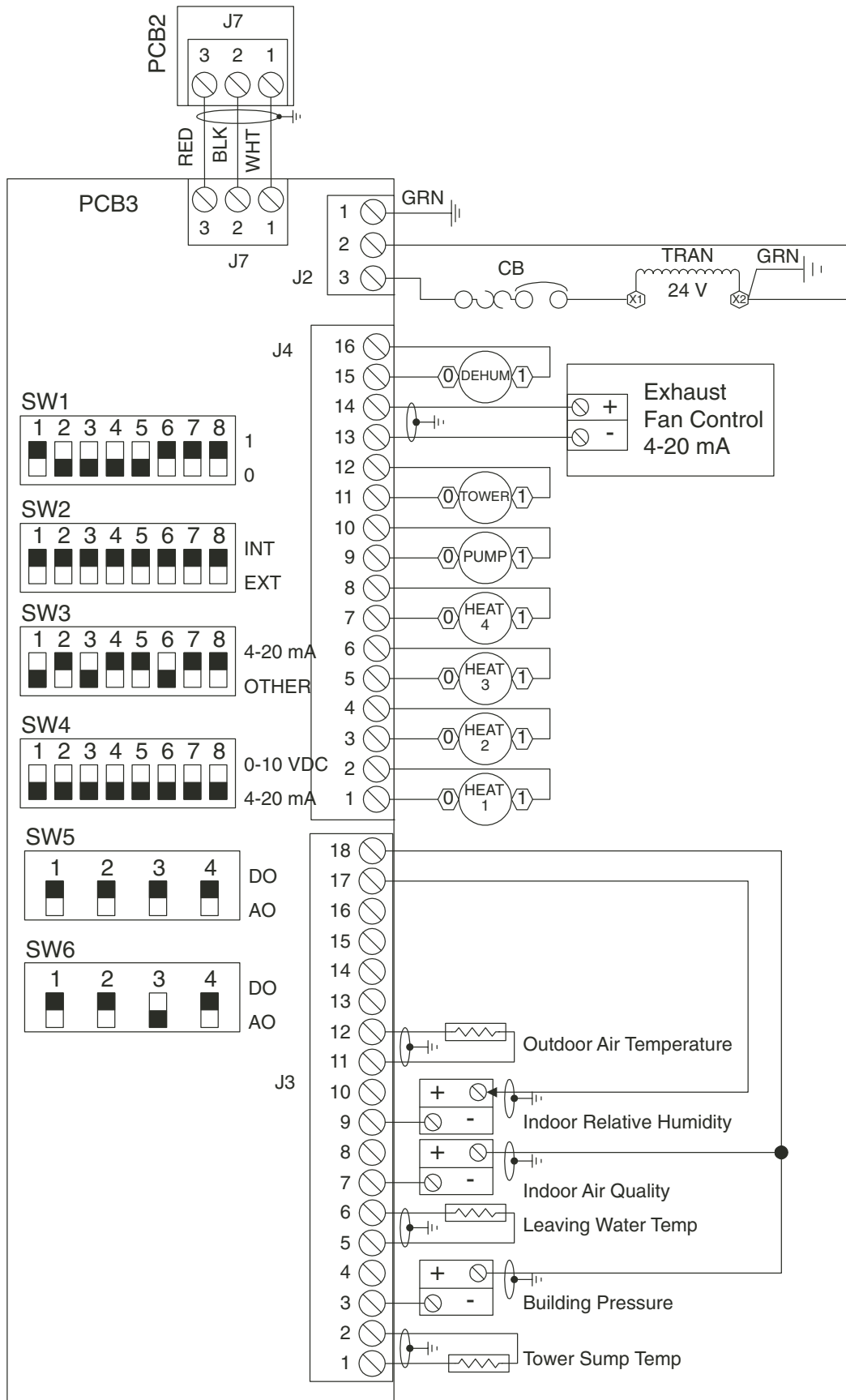
FUSES 1-18 ARE 600 V, CLASS RK-5 FUSES.
FUSES 25-26 ARE 600 V, CLASS CC FUSES.

FUSE	USAGE	460 V
FU1-3	15 HP	35 A
	20 HP	40 A
	25 HP	60 A
	30 HP	80 A
	40 HP	80 A
FU 7-18	50 HP	100 A
	10 Ton Compressor	30 A
	13 Ton Compressor	40 A
	15 Ton Compressor	40 A
	20 Ton Compressor	50 A
FU 25-26	25 Ton Compressor	60 A
		3 A

Typical wiring schematics (cont)



ACCESSORY CONTROL MODULE (PCB3) SCHEMATIC





LEGEND AND NOTES FOR WIRING DIAGRAMS

LEGEND

ALARM — Unit Alarm Relay (Critical Fault)	FREEZ — Freeze Thermostat (Water Economizer)	SAT — Supply Air Temp. Sensor
ALM-CM — Alarm/Warning Relay Common	FRZ — Freeze Thermostat (DX Circuit)	SPT — Space/Zone Temperature Sensor
BPS_S — Fan Start/Stop Relay (VFD Bypass Mode)	FSD — Fire Alarm/Shutdown	SF — Supply Fan Start/Stop Relay
BYPAS — VFD Bypass Control	FU — Fuse	SPEED — 0-10 VDC Signal Isolator for VFD
C — Compressor Contactor	GND — Ground	SW — Switch
CB — Circuit Breaker	HEAT — Electric Heat Stage Control	T — Transformer
CDWF — Condenser Waterflow Relay	HIR — Heat Interlock Relay	TB1 — Power Distribution Terminal Block
CDWFS — Condenser Waterflow Switch	HPS — High Refrigerant Pressure Switch	TB2 — 120 V-Hot Terminal Block
CH — Crankcase Heater	HRN — Harness	TB3 — 120 V-Neutral Terminal Block
CLO — Compressor Lockout Control	HWV — Hot Water Valve	TB5-7 — Terminal Blocks for Field Connections
CMP — Compressor Control Relay	IFM — Indoor Fan Motor	TOWER — Tower Request
COMP — Compressor	J — Jumper Wire	R —
CSMUX — Signal Multiplexer-Comp Status	LPS — Low Refrigerant Pressure Switch	TRMCT — VAV Terminals Control
CUVL — UVC Light For Indoor Coil Area	MA_RA — Mixed/Return Air Temp. Sensor	TRMOP — VAV Terminals Open
DEHUM — External Dehumidification	MVLV — Modulating Valve (Econ)/Heat Pres. Ctl.	VENTR — Ventilation Output
DHS — Duct High Static Limit Switch	OLR — Compressor Motor Protector	VFD — Variable Frequency Drive
DISC1 — Disconnect Switch	PCB1 — Unit Control Board	WARN — Unit Warning Relay (Non-Critical Fault)
DS — Door Switch	PCB2,3 — I/O Expansion Board	— . . . — Optional Wiring (Optional Items Noted With “**”)
DSP — Duct Static Pressure Transducer	PHASE — Phase/Rotation Monitor	— — — Field Wiring
ECONO — Economizer Valve/Damper Control	PUMP — Water Pump Request	
EWT — Entering Water Temp. Sensor	RESET — External Reset	
FLTS — Filter Status Switch	ROCC — Remote Occupancy	

NOTES:

1. Partial wiring shown on both power and control diagrams.
2. All class 2 transformers are wired into separate circuits. Do not interconnect these transformers or circuits; circuit separation shall be maintained.
3. On 200/240 v units, the transformers are factory wired for 240 v. For 200 v applications, move the blue wire to the 200 v tap of each transformer.
4. Shielded wire shall have drain wire connected to VFD ground screw. The floating end of the drain wire shall be insulated.
5. Shielded wire shall have drain wire connected to the control panel, adjacent to the PCB. The floating end of the drain wire shall be insulated.

Sequence of operation

The following control sequence of operation for the 50XJ unit describes the various sequences that occur depending upon the way an operation is triggered and which software control points are involved.

Supply fan — The Supply fan can be activated in any of the following ways:

- Unoccupied space or return air temperature demand.
- Unoccupied Linkage demand.
- Local Time Schedule (TIMECLOCK software point).
- Remote Occupancy (ROCC software point).
- By placing the remote-off-local switch in the local mode.
- Enabled by Schedule.

Once one of the above conditions exists, either TIMECLOCK or ROCC indicates ON or Enable. The software point OKFAN will turn on followed by the points TRMCT for air terminal control and PUMP and TOWER to request condenser water flow and temperature control. Approximately 20 to 30 seconds later the supply fan (SF) point will turn ON and the VFD output SPEED will increase. The SPEED point will output a signal, determined by a PID (proportional integral) calculation, based on the duct static pressure DSP input and the Supply Static Pressure set point in SETPT05.

Once the supply fan is running and the static pressure increases above the supply fan status set point in SETPT01, the supply fan status point (SFS) will indicate ON and the software point SF_SFS will indicate TRUE.

Enabled by unoccupied demand — A software point “Space Control Point” will display the current value of the sensor used to determine unoccupied demand. The display is based on the sensors installed and the configuration of these sensors in the custom configuration, or the status of linkage.

If the return/mixed air sensor is in the mixed airstream and configured as such and there is no Space temperature sensor installed and no Linkage, the Space Control Point will display a default value of 75 F, which is above the default occupied cooling set point and below the unoccupied cooling set point. If this condition exists, supply air reset from a sensor and unoccupied unit operation will not occur.

If the unit is configured to use a sensor for the Space Control Point or if Linkage is active and the space has unoccupied demand, the software point OKFAN will turn on followed by the points TRMCT for air terminal control and PUMP and TOWER to request condenser water flow and temperature control. Approximately 20 to 30 seconds later the SF point will turn ON and then the VFD output SPEED will increase. If unoccupied demand is the reason the fan is on, a control force will appear next to the OKFAN point. Otherwise there should not be a force on that point.

If the fan is running due to unoccupied heating or cooling demand, either the space temperature (if installed), return air temperature or average linkage temperature must rise or drop to within half way between the occupied

and unoccupied set points in order for the fan to turn back off.

Enabled by switching to local mode — When the switch is placed in the local mode the ROCC point will indicate enable. If ROCC is ENABLED a software routine will override the occupancy schedule so that TIMECLOCK will also turn on. When ROCC is turned off the TIMECLOCK point will turn off within 60 seconds.

Supply fan shutdown — If the unoccupied demand is satisfied and TIMECLOCK and ROCC are off and disabled, OKFAN will turn off, SF_SFS will turn off, Tower and PUMP will turn off, and then 5 minutes later the SF point will turn off and the VFD speed will go to 0%.

During the 5-minute delay, the cooling and heating routines become disabled. This delay allows a compressor that may have just started to run for its 5-minute minimum on time with the supply fan on. For example, if the staging routine had just started Compressor 3 at the time the OKFAN point changed to OFF, the cooling routine would become disabled and compressors 1 and 2 would shut off right away. Compressor three would continue to run for its minimum on time of 5 minutes. The fan continues running until all compressors meet the minimum on time and run with a load, preventing them from shutting down due to a safety.

Supply fan operation with optional bypass — If the optional VFD Bypass is installed and the Bypass switch has been turned to Bypass, and the access panel is in place, the software point Bypass access panel secure BB_SAFE has been turned to ON, and the unit operation switch has been placed back in local or remote, then the bypass start stop point BPS_S will follow the SF point when it turns on and off. The terminal open point TRMOP will go on with the TRMCT point before the fan starts.

Compressor cooling — If the fan is on and there is no demand for Heat, the equipment mode (MODE) will be COOL, and Cooling (COOLOK) will switch to ENABLE.

If the unit is configured for variable flow the Reverse/Head Pressure CTRL valve will open (otherwise it will already be open), and if there is condenser water flow (CDWF is YES), then the Fan + Condenser water flow point will become TRUE and the Compressor Cooling (COMRES) point will switch to Enable.

COMRES triggers the compressor staging routine that controls the number of compressors energized. Units are equipped with 4 compressors piped in separate refrigerant circuits, and staged On/Off in a fixed sequential manner (compressor no. 1 through compressor no. 4). The compressor control routine uses a PID calculation to determine the percentage of cooling required, from 1 to 100%. Demand for the PID calculation is determined from the supply air temperature and the supply air set point (SETPT06).

Compressor cooling (COMPRES) will be turned off for any of the following reasons:

- There is no condenser water flow (CDWF is Off).
- Economizer Freezestat (FREEZ) has been in alarm for more than 15 minutes.
- MODE changes to heat.

- OKFAN turns off during normal shut down.
- During normal compressor operation the minimum on time is 5 minutes and the minimum off time is 5 minutes.

Economizer cooling — The unit diverts condenser inlet water flow through an optional economizer coil to precool evaporator entering airflow. This occurs when there is demand for the cooling, and the temperature at an entering water temperature (EWT) thermistor is colder than the economizer start set point. Water flow is controlled via two electronic water flow valves. This option also incorporates an Economizer Freeze Switch (EFS), located at the inlet of the economizer coil.

Economizer water flow is in series with the condensers allowing compressor operation while the economizer is operating.

If the Fan is on, and there is no demand for heat then the equipment mode (MODE) will be COOL and Cooling (COOLOK) will switch to ENABLE.

If the unit is configured for variable flow the Reverse/Head Pressure CTRL valve will open (otherwise it will already be open), and if there is condenser water flow (CDWF is YES) then the Fan + Condenser water flow point will become TRUE.

If the entering-water temperature is below the economizer start set point, then the Mod. Econ Enabled point (ECONOK) will change to enable and the Economizer valve will modulate open to lower the Economizer control temperature to the supply air set point (SETPT06) temperature. The economizer modulation is controlled by a PID loop and the Reverse/Head pressure control valve will modulate in reverse of the Economizer valve using the formula $MVLV = 100 - ECONO$.

Cooling reset — The controller can reset the supply air set point using these three methods:

- An external 0 to 10 volt input RESET
- The value of the space control point
- Linkage

The external 0 to 10 volt input reset is configured to produce a 0 to 20 degree supply air reset over the 2 to 10 volt range. If more than 1.8 volts is sensed on the input, this method of reset takes priority over other methods.

NOTE: The reset from all methods may be limited to 10 F or 15 F by changing the high end point of the custom voltage input from the default (20 F) to 15 F or 10 F.

Either the return air or a space temperature sensor will be used as the space control point. If this variable goes below the Occupied High set point in the HEAT/COOL MODE AND RESET set point (SETPT03), then for each degree that the Space control point is below the set point value the supply air set point will be reset by the value configured in the custom configuration RESET RATIO.

If Linkage is active, for each degree that the average occupied space temperature is below the average occupied cool set point, the supply air set point will be reset by the amount configured in the RESET RATIO. Reset will be

limited to the maximum value the custom voltage input RESET can display.

Heating — The controller is configured to control two types of heat:

- A modulating 4 to 20 mA output Hot Water Valve (HWV) in the base unit, wired to the second module.
- Four stages of staged heat wired to a third, accessory module (PCB3).

For either method of heat to function, a space control point must be configured in the custom configuration. This control point comes from a return air sensor or space sensor, or from the average space temperature received through linkage.

Whenever the space control point is below the occupied or unoccupied heat set point the mode will change to heat and if unoccupied the fan will be started. For linkage, this occurs if the average space temperature is below the appropriate average heat set point.

Both heat control routines use a PID to calculate a supply air set point that will satisfy the heat demand in the space. The modulating output and the staged outputs will both operate at the same time to control an attached heat source, such as steam valves or electric heaters, to provide the supply-air temperature required.

The heat mode changes back to cool when the space control point is back above the occupied heat set point. For linkage, the mode changes back to cool when the average space temperature is back above the average occupied heat set point.

When unoccupied heat is enabled the fan will be stopped and the heat turned off when the space control temperature is more than halfway above the difference between the occupied heat set point and the unoccupied heat set point. For example, if the occupied heat set point is 70 and the unoccupied heat set point is 60 the unit will come on for unoccupied heating below 60 F and turn off again above 65 F. The average occupied and unoccupied set points are used when linkage is active.

Head pressure control (HPC) — In installations where entering water temperature can fall below 55 F, where a water economizer (described above) is not installed, the HPC provides 1 or 2 electronic water flow control valves to vary flow to the condensers. Controlling the water flow maintains compressor discharge pressure above a minimum value, ensuring sufficient refrigerant flow out of the condenser and throughout the refrigerant circuit. Refrigerant pressure is measured at compressor circuit no. 1 by a Discharge Pressure Sensor (DPS).

Units not equipped with a water economizer can be ordered with the reverse/head pressure control valve factory installed and a pressure transducer located in the discharge line of compressor no. 1.

When the condenser water temperature gets low enough to cause the head pressure to drop, the valve will be modulated to control the head pressure of all four compressors by varying the water flow through the condensers.

Controls (cont)



When the unit is operating and the COOLOK software point is enabled and the EWT gets below 60 F, the Head software point will become enabled and the head pressure control valve will modulate to keep the head pressure at the head pressure set point (SETPT04). The default set point is 225 psi and may be set from 200 to 250 psi. The minimum output value for the head pressure control algorithm is 40% in order to maintain a minimum flow through the condensers. The valve will modulate between 40 and 100%. Do not set the minimum lower than 40% or the compressors may shut down due to low flow, resulting in the high-pressure switch tripping.

Ventilation request — The ventilation request output will close a set of relay contacts to activate a ventilation damper whenever the supply fan and supply fan status are both true and the TIMECLOCK software point is on.

VAV terminal operation output — The VAV terminal control output (TRMCT) closes a set of relay contacts to indicate to non-Carrier air terminals that the fan is either forced on or is going to turn on. This signals the terminals to open and start controlling to the desired cfm and temperature set points.

VAV terminal open output — The VAV terminal open output (TRMOP) closes a set of relay contacts to command the air terminals to open to maximum cfm at times when the fan is operating on the VFD bypass.

Pump and tower outputs — The pump and tower outputs close a set of relay contacts to indicate that the 50XJ unit is in operation and may require condenser water flow through the unit.

Building pressure control — The building pressure control output provides an analog 4 to 20 mA signal to control return fan or exhaust fan speed. Fan speed is modulated to maintain the building static pressure set point (SETPT07).

The control parameters for the building pressure set point and building pressure are read and controlled in milliamps but are converted to inches of water for ease of setting and display. The range and low start values of the sensor selected should be configured in the custom configurations screen. The raw sensor value in milliamps will be displayed on the hardware point BSP. The converted sensor reading in inches of H₂O will be displayed at the software point BSP_IN. The set point input in SETPT07 in inches of H₂O is converted to a raw milliamp set point in SETPT08. The algorithm controls to the milliamp values since the math required for control using the static pressure in inches generates numbers too small to be used given the range of the controller configuration parameters.

Guide specifications



Indoor Packaged Water-Cooled Variable Air Volume Cooling Unit with Carrier Comfort Network (CCN) Controls

HVAC Guide Specifications

Size Range: **60 to 100 Tons, Nominal Cooling**

Carrier Model Number: **50XJ**

Part 1 — General

1.01 SYSTEM DESCRIPTION

Indoor, water-cooled, vertical discharge, microprocessor controlled variable air volume (VAV), cooling and heating unit utilizing scroll type compressors for cooling duty. Units shall discharge supply air vertically upward or horizontally through an acoustic discharge plenum as shown on the contract drawings.

Each unit shall be completely factory assembled and tested and shall ship in one piece.

1.02 QUALITY ASSURANCE

- A. Unit shall be rated in accordance with ARI Standard 340/360, and tested to ARI Standard 260.
- B. Unit shall be designed to conform to ANSI/ASHRAE 15, latest revision, UL Standard 1995, and National Electrical Code.
- C. Unit shall be listed by ETL and ETL, Canada, as a total package.
- D. Insulation and adhesive shall meet NFPA 90A requirements for flame spread and smoke generation.
- E. Unit shall be factory run tested to include as a minimum a compressor bump over test and full electrical and control circuit test.

1.03 DELIVERY, STORAGE, AND HANDLING

Unit shall ship in one piece and be stored and handled per manufacturer's recommendations.

Part 2 — Products

2.01 EQUIPMENT

A. General:

Factory-assembled, single-piece water-cooled cooling unit with optional economizer and heating capability. Contained within the unit enclosure shall be all factory wiring, water and refrigerant piping, refrigerant charge (R-22), operating oil charge, multiple refrigerant circuits on individual condensers, microprocessor-based control system for stand-alone or building network operation and associated hardware, and all special features required prior to field start-up.

B. Unit Cabinet:

1. Constructed of galvanized steel, bonderized and coated with a baked polyester thermosetting powdercoating beige finish on the outer surface. Unit frame shall be post and panel construction so any access panel may be removed for service without impacting the structural integrity of the unit. Base frame members shall be constructed of minimum of 10-gage steel

constructed to provide a rigid mounting base and structural support and to provide adequate strength for the unit to be lifted and moved by the base rail. All other unit support members shall be a minimum of 12-gage steel.

2. Unit casing shall be capable of withstanding ASTM Standard B117 500-hour salt spray test.
3. All standard service access panels shall have person-size insulated access doors for easy access to the control box, fan and motor, compressors and other areas requiring servicing. Each door shall seal against a neoprene rubber gaskets to prevent air leakage, doors shall be secured by quarter turn latches requiring only one tool for service entry and be equipped with recessed lifting handles to permit easy removal and safe handling during servicing. Use of latches that do not require the use of a tool to prevent unauthorized entry shall not be acceptable. Access panels shall not weigh more than 50 pounds and be capable of being removed by one person. Removable access panels shall be provided with recessed style lifting handles. All exterior panels shall be a minimum of 18-gage sheet metal and be painted beige.
4. Interior cabinet surfaces with in the evaporator section shall be insulated with minimum 1-in. 1¹/₂-pound density flexible fire-retardant fiberglass blanket, and covered with a solid full minimum 20-gage sheet metal internal liner in all areas downstream of the cooling coil with no exposed insulation. Surfaces between the cooling coil and fan, which have rough surfaces or openings which can not be wiped clean and foil faced style insulation, are not acceptable.
5. Interior cabinet surfaces within compressor and condenser section shall be lined with minimum 1-in. thick 3-pound density acoustical insulation. Panel construction shall protect edges of insulation damage during removal of panels.
6. Insulation shall be applied by means of adhesion using a water reducible adhesive sprayed onto interior surface. Adhesive shall maintain a satisfactory adhesion and cohesion within the temperature range of -20 to 180 F (-29 to 82 C) and have excellent resistance to water and water vapor when cured.
7. Unit shall contain a dual sloped drain pan to prevent standing water from accumulating with a minimum slope of 1/8-in. per foot. Pan shall be fabricated of type 303 stainless steel and be insulated with a minimum of 1-in. 1¹/₂ pound density insulation. Unit shall contain a factory-installed and internally trapped main condensate drain. Main condensate drain shall be extended with the connection made at the unit side panel and the trap shall be removable for cleaning.
8. Units shall be equipped with lifting lugs to facilitate overhead rigging. Lugs shall be constructed

Guide specifications (cont)



of minimum 1-in. structural steel with lifting holes sized for cables or chain hooks.

9. Unit shall be provided with factory selected vibration isolation pads to place under the unit by the installing contractor.

C. Fan Section:

Evaporator fan shall consist of a single fan, medium pressure, class II blower, mounted on a complete fan sled assembly consisting of blower, motor, motor adjusting plate and drive. Assembly shall be completely spring mounted and fan discharge shall be isolated from the unit casing by flexible connection to prevent transmission of vibration to the unit assembly. Fan assembly shall be secured by shipping brackets during shipping to prevent internal damage.

1. Fan shall be double-width, double-inlet centrifugal belt driven forward-curve type with single outlet discharge. Fan wheel and scroll shall be constructed of steel with corrosion resistant finish and shall be statically and dynamically balanced.
2. Fan shall be belt driven with fixed-pitch motor and fan pulley, with multiple matched belts, drive shall be selected for 110% of motor horsepower and to provide maximum static capability in stable fan operation and when applied with Variable Frequency Drive (VFD).
3. Fan shall be mounted on a structural steel sled with flexible outlet connection consisting of canvas transitions.
4. Fan shaft bearing shall be sealed pillow-block type ball bearing with lubrication provisions and shall have a L50 life of 200,000 hours at design operating conditions in accordance with ANSI B3.15. Bearing size shall not be smaller than the main fan shaft diameter.
5. Fan shaft shall be solid fan shaft construction and constant diameter.
6. Motor adjusting plate shall have screw type adjustment to allowing proper belt tensioning.
7. Unit shall be equipped with 5-in. spring vibration isolators, each with 2-in. static deflection.

D. Compressors:

1. Shall be hermetic scroll type only and shall be located for easy servicing.
2. Shall be direct drive, 3600 rpm, internally protected, suction gas cooled motor with internal spring and external rubber in shear vibration isolation.
3. Each equipped with compressor overload protection, oil sight glass, anti-slugging protection, operating oil charge, crankcase heater to prevent refrigerant migration to the compressor.
4. The number and size of compressors shall be as shown on the drawings.

E. Condensers:

1. Condensers shall be of the shell and tube type with removable condenser heads for cleaning. Each condenser shall serve only one compressor.
2. Tubes shall be seamless with no internal joints.
3. Condensers shall have a maximum working pressure of 150 psig on the waterside (400 psig optional).

F. Evaporator Coil:

1. Shall be minimum 6-row $\frac{3}{4}$ -in. tube with inter-twined circuiting constructed of aluminum fins mechanically bonded to seamless copper tubes.
2. Full-face active type during full and all part load conditions.
3. Coils shall be leak tested at 150 psig (1034 kPa) and pressure tested at 450 psig (3103 kPa)
4. Each distributor feeder tube shall have a plastic sleeve to protect tubes from rubbing and wear through.

G. Supply Fan Capacity Control/Variable Frequency Drive:

Variable Frequency Drive (VFD) shall include:

1. Factory-installed VFD motor control device, provided with a NEMA Type 1 enclosure, and factory-mounted, -wired and -tested. The VFD shall control motor speed to maintain set point static pressure at the supply duct sensor location.
2. Digital display keyboard module, mounted on unit control panel.
3. Factory-mounted duct pressure sensing controller:
Differential Pressure Transducer, 2 to 10 vdc output to unit control module, with adjustable set point range (0.0 to 5.0 in. wg [0 to 1246 Pa]), adjust via unit control keypad.
4. Low pressure reference tube factory installed.

H. Refrigerant Components:

Unit shall be equipped with four independent refrigerant circuits, one for each compressor, each containing:

1. Liquid line charging port.
2. Filter drier.
3. Moisture indicating sight glass which shall be accessible for charging and viewing with the unit in operation.
4. Thermostatic expansion valve with externally equalizer connection located out of the supply airstream.
5. Fusible plug with service valve option.
6. Condenser pressure relief valve.
7. Frost protection control on each compressor circuit.

I. Filter Section:

Filter section shall consist of 4-in. thick, disposable fiberglass filters of commercially available sizes. Unit shall have a minimum MERV 6 rating per ASHRAE Standard 52. Filter face velocity shall not exceed 550 fpm. All filters shall be removable from the rear of the unit. Filter holding tracks shall have filter removal access and filter retainers shall maintain a seal of the filters to the coil track to prevent air bypass.

J. Controls, Safeties, and Diagnostics:

1. Controls:

a. Control shall be accomplished through the use of a factory-installed, microprocessor-based control system and associated electronic and electrical hardware. Control system shall determine control sequences through monitoring the following operational variables:

- 1) Day and time.
- 2) Schedule (Unoccupied/Occupied).
- 3) Set points (Unoccupied/Occupied, Economizer, Duct Pressure, others).
- 4) Space temperature.
- 5) Outdoor-air temperature.
- 6) Unit supply-air temperature.
- 7) Unit return-air temperature.
- 8) Supply-air fan status.
- 9) Economizer position.
- 10) Accessory and/or field-supplied sensors, function switches and/or signals.

b. Controls shall be capable of performing the following functions:

- 1) Capacity control based on discharge-air temperature and compensated by rate of change of return-air temperature (VAV [variable air volume]). Capacity control shall be accomplished through the use of compressor staging.
- 2) Perform a quick test to check the status of all input and output signals to the control system using diagnostic display module.
- 3) Control of integrated economizer operation, based on unit supply air temperature.
- 4) Supply fan volume control shall control output from a Variable Frequency Drive to maintain duct static pressure at user-configured set point.
- 5) Heating control shall provide space temperature control for unoccupied period heating, morning warm-up sequence and occupied period heating (when configured).
- 6) Adaptive optimal start shall determine the time unit will commence cooling, heating or heating for morning warm-up during the unoccupied mode to ensure

occupied space reaches the set point in time for occupied mode.

- 7) Alerts and Alarms: Control shall continuously monitor all sensor inputs and control outputs to ensure safe and proper system operation. Alerts shall be generated whenever sensor conditions have gone outside user-configured criteria for acceptability. Alarms shall be initiated when unit control detects that a sensor input value is outside its valid range (indicating a defective device or connection that prevents full unit operation), that an output has not functioned as expected, or that a safety device has tripped. Twelve alerts and 40 alarms shall be available. Current alarms shall be maintained in STATUS function; up to 9 (current or reset) shall be stored in HISTORY function for recall.
- 8) Timed override function shall permit a system in Unoccupied mode to be returned to Occupied mode for a user-configured period of 1, 2, 3 or 4 hours by pressing the override button on the front of the space temperature sensor.
- 9) Nighttime Free Cooling (NTFC) shall start the supply fan and open the economizer on cool nights to precool the building structure mass using only outdoor air. Function shall be restricted to operation above a user-configured low lockout temperature set point.
- 10) Modulating power exhaust control shall modulate capacity of exhaust fan system in response to building static pressure at user-configured set point. Power exhaust fan operation shall be interlocked with supply fan status.
- 11) Smoke Control functions: Control shall initiate any of four separate smoke control functions in response to closure of field switches. Functions shall include: Pressurization, Evacuation, Smoke Purge and Fire Shutdown. Should two or more switches be closed simultaneously, Fire Shutdown shall be initiated.
- 12) Indoor Air Quality (IAQ) mode shall admit fresh outdoor air into the space whenever space air quality sensors detect unsuitable space conditions, by overriding economizer minimum damper position. The IAQ mode shall be permitted only during occupied periods. Control shall permit user to configure for three priority levels: sense and alert but no ventilation action; ventilate only when comfort conditions are satisfied; ventilate immediately upon demand. IAQ mode shall also provide

- control for reheat via auxiliary heating coil during ventilation (when configured).
- 13) IAQ pre-occupancy purge function shall provide complete exchange of indoor air with fresh air during unoccupied periods, when outdoor conditions permit. Function shall energize supply fan and open economizer two hours before next occupied period; duration of purge shall be user-configured (5 to 60 minutes).
 - 14) Outdoor Air Control (OAC) function shall maintain a minimum quantity of outdoor airflow into an occupied space. The OAC mode shall be available only during an occupied period.
 - 15) Dehumidification: Dehumidification function shall override comfort condition set points to deliver cooler air into the space and satisfy a user-configured humidity set point at the space or return air humidity sensor.
 - 16) Supply Air Temperature Set Point Reset: Control shall automatically reset the unit supply air temperature set point on VAV models from space temperature, at user-configured rate and limit. Control shall also reset supply air temperature set point via external 2 to 10 vdc signal representing 0° to 20 F (0° to 11 C) range of reset. Control shall respond to higher of either reset if both are active.
 - 17) Space Temperature Offset function shall permit occupants to adjust space temperature set point by ± 5 F (± 2.8 C) using T-56 space sensor (equipped with sliding scale adjuster).
 - 18) Lead-lag function shall distribute starts between the two refrigeration circuits in an effort to equalize the running time on the two circuits.
 - 19) Condenser-head pressure control shall maintain correct head pressure with an entering water temperature as low as 40 F.
 - 20) Refrigeration system pressures and temperatures (superheat) shall be monitored via pressure transducers and thermistors. Alarms for low pressure, high pressure, low superheat and high superheat will be permitted.
 - 21) Timed Discrete Output function shall control an external function or device via user-configured activity schedule. This schedule shall be separate and different from the unit's occupied/unoccupied time schedule.
 - 22) Hydronic heating coil control shall modulate a control valve in a steam or hydronic heat system to maintain space temperature at user-configured set points. Analog output shall be 4 to 20 mA signal.
 - 23) Single-step demand limit control (when used in conjunction with the Carrier Comfort Network).
 - 24) Display in Metric units: Display may be configured to display data in Metric or English (Imperial) units of measure.
 - 25) Keypad/Display Module (HSIO): Module shall provide hardware necessary for human interface with the unit integrated system controls. Module shall contain a keypad and display for interactive communication. Display shall be two-line, backlit alphanumeric liquid crystal display (LCD). Each line of the LCD shall display up to 24-character (with expanded scrolling display capability). Keypad shall contain 12 numeric, 6 function keys, and 4 operative keys. Module shall contain RJ-14 data cable connection for simple installation and to facilitate remote location installation. Module shall be powered by unit's 24-v control circuit.
2. Safeties:

Unit components shall be equipped with the following protections:

Compressors:

 - a. Overcurrent using internal or external compressor overload modules (shuts down individual compressor).
 - b. Crankcase heaters.
 - c. High-pressure switch (shuts down individual compressor, automatic reset type).
 - d. Low-pressure switch (shuts down individual compressor, automatic reset type).
 - e. Check filter switch.
 - f. High duct static switch.
 3. Diagnostics:
 - a. Diagnostic display module shall be capable of indicating a safety lockout condition (alarm) through an expandable scrolling display.
 - b. Diagnostic display module shall also be capable of indicating an alert condition which does not lock out the unit, but informs the system monitor of a condition which could be detrimental to either the unit or the comfort of the occupants if allowed to continue.
 - c. Diagnostic module must also be capable of displaying outputs of microprocessor-controlled "quick test" to verify operation of every thermistor, actuator motor, fan, and compressor before unit is started.



K. Operating Characteristics:

1. Unit shall be capable of starting and running at 115 F (46 C) entering condenser water temperature maximum load criteria of ARI Standard 340/360.
2. Unit shall be capable of mechanical cooling operation down to 50 F entering condenser water temperature without head pressure control and down to 40 F with head pressure control.
3. Provides multi-stage cooling capability.

L. Motors:

1. Compressor motors shall be cooled by suction gas passing over motor windings.
2. Evaporator blower motor shall be of the 3-phase, NEMA rated, Open Drip-proof (ODP), ball bearing type, with efficiencies per EPACT requirements. Motor shall be compatible with Variable Frequency Drive (VFD). Motor horsepower shall be as shown on contract drawings to meet required total static pressure.

M. Electrical Requirements:

All unit power wiring shall enter unit cabinet at a single location. Individual fusing for each motor shall protect branch circuits for all motor loads within the unit. Main power connections to the unit shall be to a terminal block of adequate size for easy connection of field power connections. Low voltage connections for control and network communications shall be to factory mounted and labeled terminal strips.

N. Special Features:

1. Waterside integrated economizer.
2. Motor options to include premium-efficiency and Totally Enclosed Fan-Cooled motors.
3. Bypass switch for VFD.
4. Filter options: Unit shall be factory equipped with high-efficiency pleated filters having the following characteristics:
 - a. Efficiency of no less than 65% (85%) based on testing per ASHRAE Standard 52.
 - b. Minimum average arrestance of 90%.

5. Non-Fused Disconnect: A non-fused electrical disconnect for main unit power shall be factory installed. The disconnect shall be an interlocking type.
6. Evaporator Coil Protective Coating: Condenser coil aluminum fins shall be coated with protective coating. Coating material shall be an epoxy phenolic organic coating, capable of 1000-hr salt spray exposure per ASTM B117 test and ASTM DI 654 evaluation, 2000-hr corrosion weathering cycle and moist sulfur dioxide exposure per DIN 50018 (ASTM G87) test and ASTM DI 654 and ASTM D714 evaluation.
7. High waterside pressure condenser options.
8. Water Flow switch.
9. Space Temperature Sensor (T-56): The T-56 space temperature sensor (for CV applications) shall monitor space temperature. Device shall be suited for wall mounting in the occupied space. The T-56 sensor shall incorporate a front-panel located slider switch to effect a remote change in set point of $\pm 5x$ F ($\pm 2.8x$ C). The T-56 sensor shall also include a button used to initiate Unoccupied Override function.
10. Provide an extra set of the following:
 - a. Evaporator fan drive belts as required for operation at horsepower requirements of unit as indicated on the contract drawings.
 - b. Filters for replacement before building is turned over to owner.
11. Extended grease lines, all bearing grease fittings shall have a grease connection brought to a common point on the out side of the unit.
12. Compressor service valves.
13. Two-position condenser isolation valve.
14. Phase loss, low voltage protection.
15. Discharge plenum.
16. Fire and smoke control.
17. Water regulating valve.
18. System control option.



Manufacturer reserves the right to discontinue, or change at any time, specifications or designs without notice and without incurring obligations.